



# SPOA3TE

## 600 Series

### Two Post Surface Mounted Lifts

SPOA3T Series Capacity:

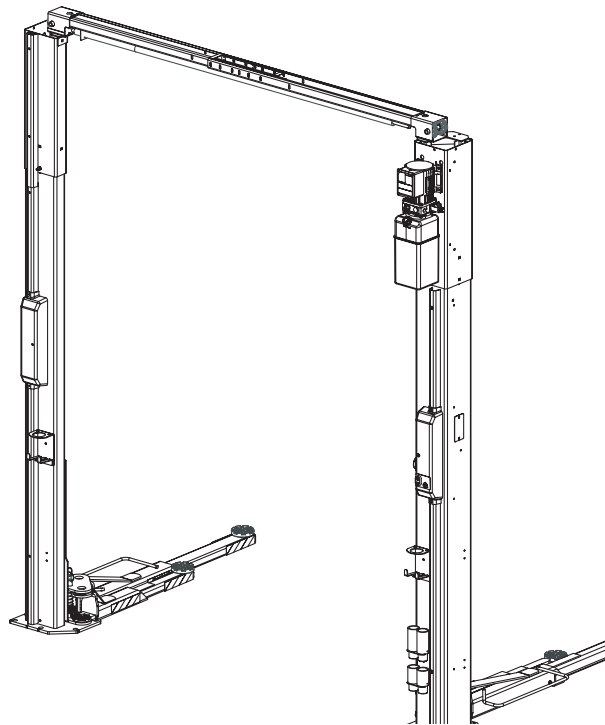
3000 kg (6600 lbs.)

750 kg (1650 lbs.) per arm



TÜV  
Rheinland

P  
A  
R  
T  
S  
  
B  
R  
E  
A  
K  
D  
O  
W  
N



**IMPORTANT:** When ordering parts or requesting service always give exact model and power unit serial number. Model number is shown on nameplate attached to power unit column. Power unit serial number is located on side of power unit.

**OWNERS RECORD**  
Complete information  
at right and keep in  
a safe place.

Date Installed \_\_\_\_\_

Installed in Bay # \_\_\_\_\_

Power Unit Serial # \_\_\_\_\_

Power Unit Model # \_\_\_\_\_

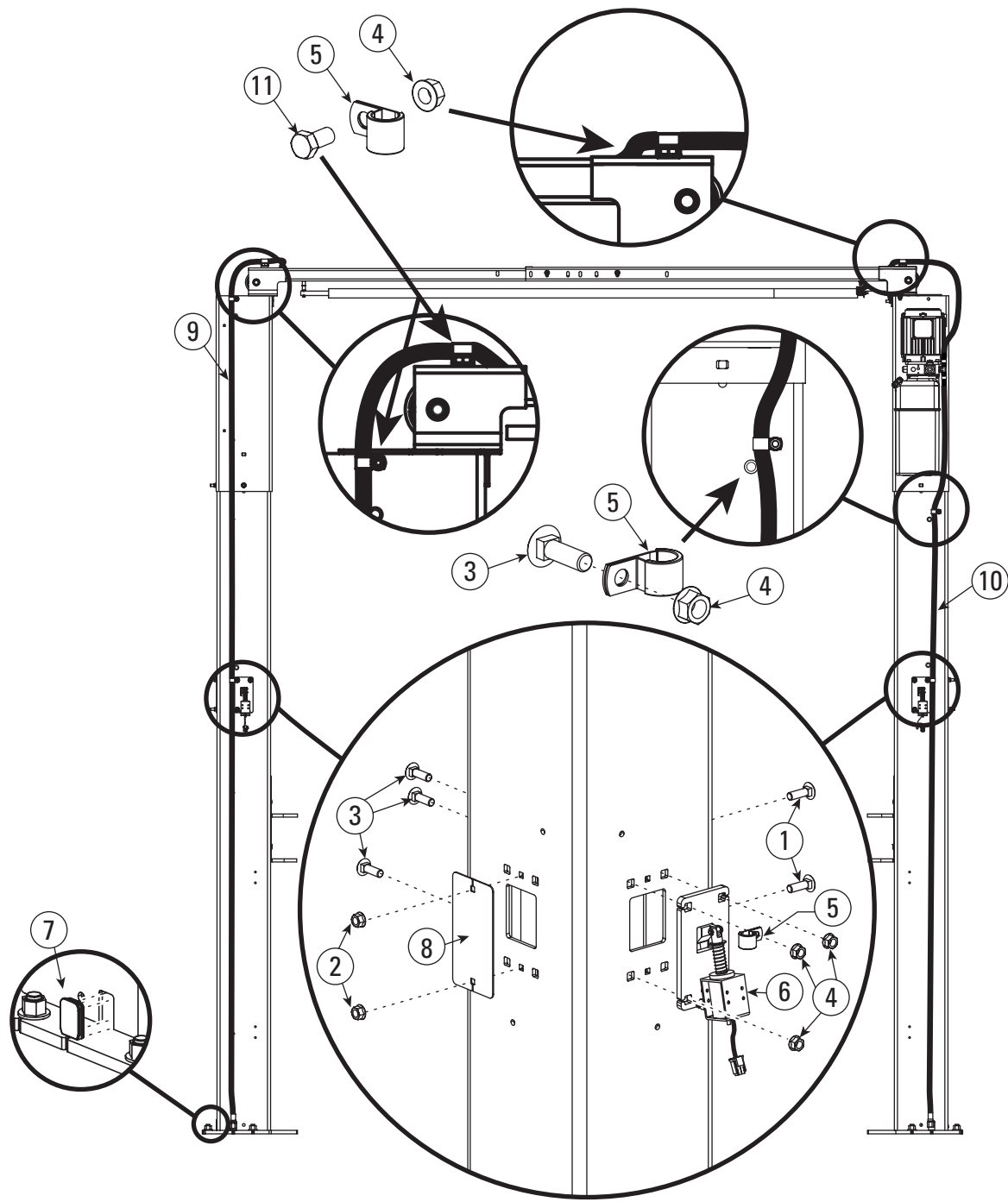
Lift Serial # \_\_\_\_\_

Lift Model # \_\_\_\_\_

**NOTE:** For replacement parts -See your nearest Rotary Parts Distributor.

**PB 2-2-45**

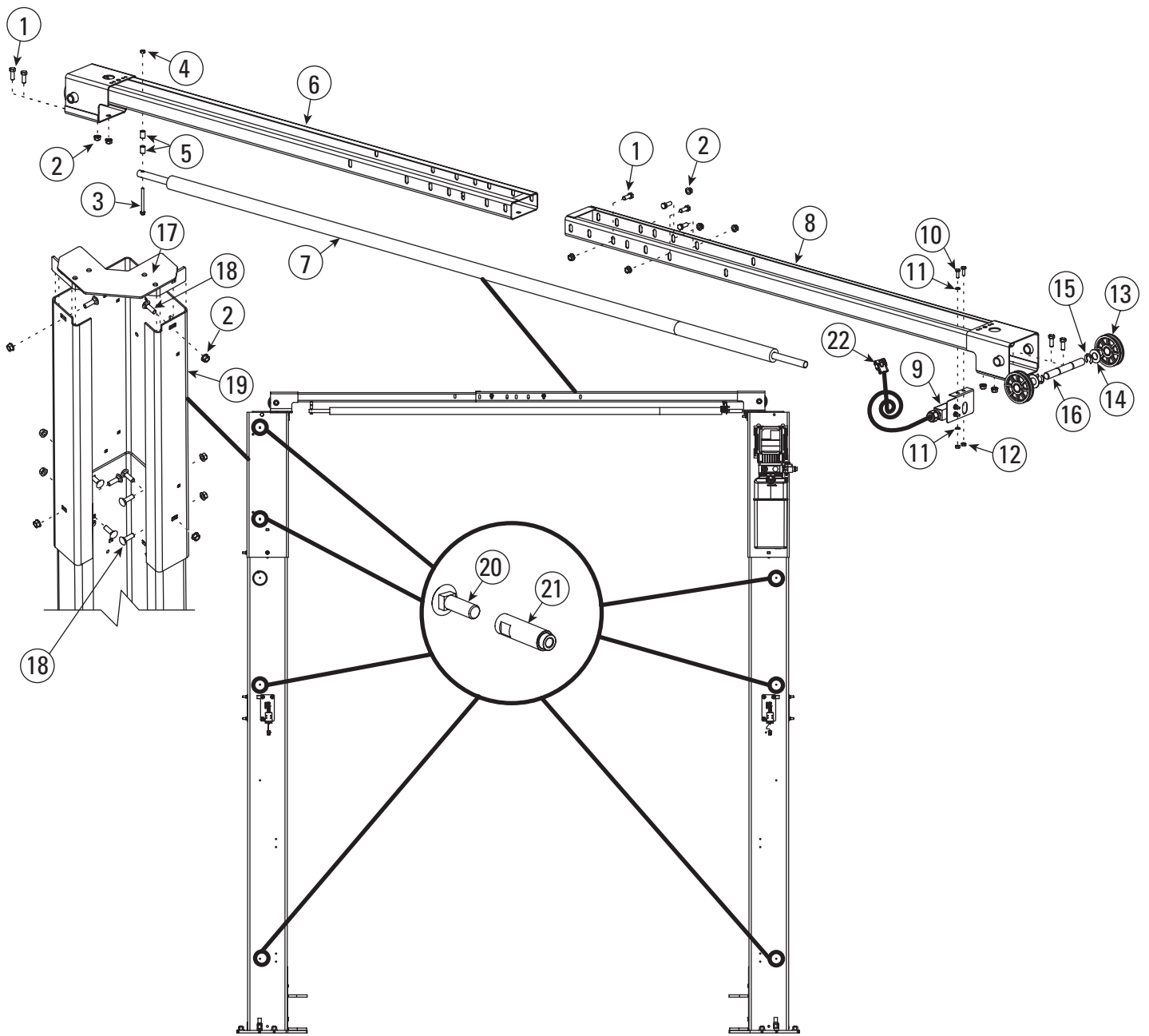
Rev. A 08/02/2005



**Hydraulic Hose And Locking Latch Detail**

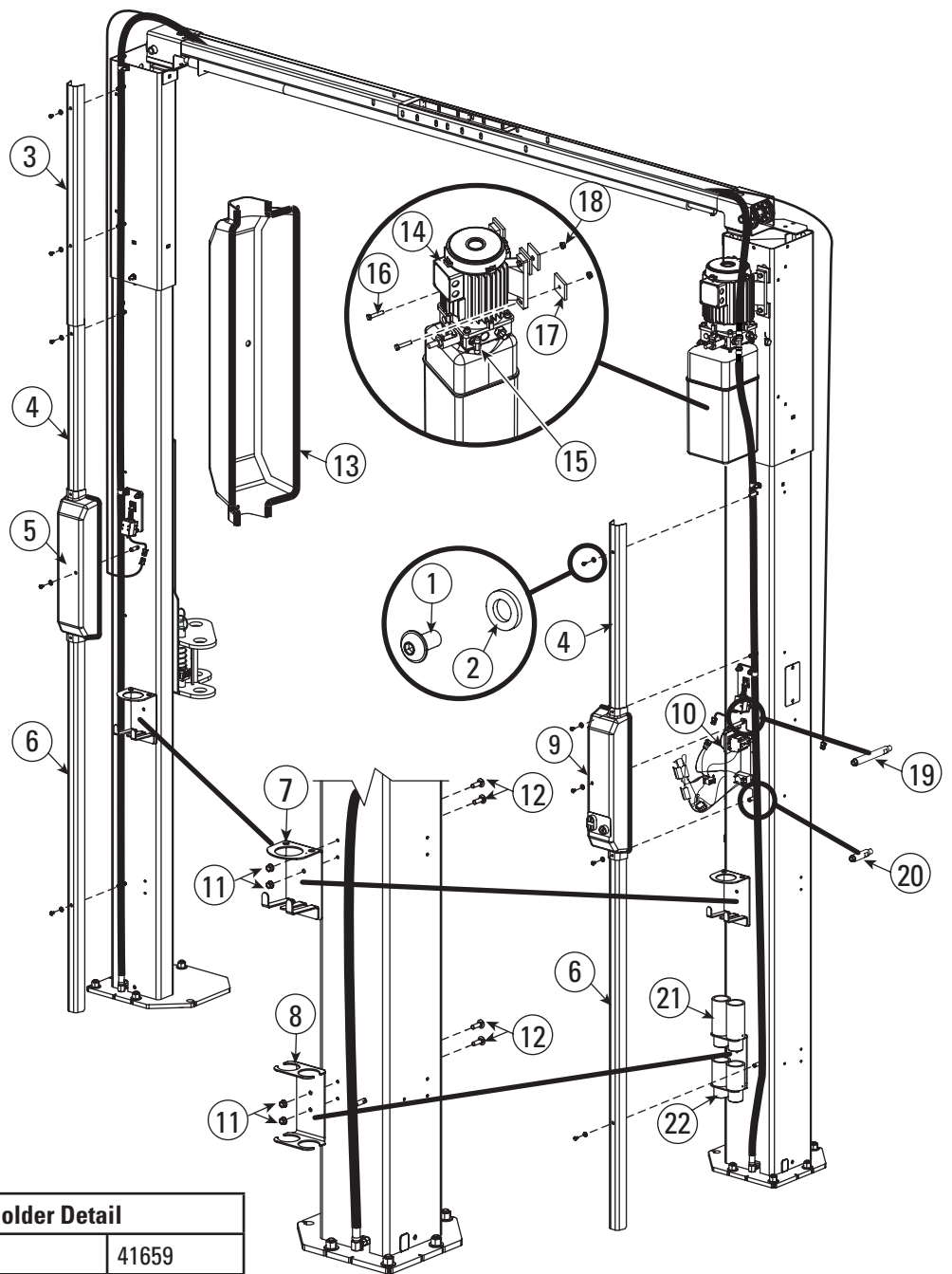
1	M6 x 1.0 x 12mm Lg. carriage bolt, plated	41658
2	M6 x 1.0 serrated flanged locknut, plated	41656
3	M10 x 1.5 x 30mm Lg. carriage bolt, grade 8.8, plated	41648
4	M10 x 1.5 serrated flanged locknut, plated	41655
5	Hose clamp	N3116
6	Locking latch assembly	N621
7	Lower column hole plug	FA964

8	Lock hole cover	N1224-8
9	Overhead hydraulic hose	
	Standard	N363
	EH1	N3114
	EH2	N3115
10	Power unit hydraulic hose	N3113
11	M10 x 1.5 x 20mm Lg. HHCS, grade 8.8, plated	41536



Overhead And Extension Detail		
1	M10 x 1.5 x 20mm Lg. HHCS, grade 8.8, plated	41536
2	M10 x 1.5 serrated flanged locknut, plated	41655
3	M6 x 1.0 x 70mm Lg. HHCS, plated	41660
4	M6 x 1.0 nylock nut, plated	41664
5	Spacer	FJ7871
6	Right hand overhead	N481-1
7	Overhead switch bar	N415
8	Left hand overhead	N480-1
9	Overhead switch assembly	N412
10	M6 x 1.0 x 20mm Lg. HHCS, plated	41413
11	M6 external tooth lockwasher, plated	41599
12	M6 x 1.0 hex nut, plated	41661
13	Overhead sheave	N377
14	1-1/2" O.D. x .760-.770" I.D. x .045" thick machine bushing	41388

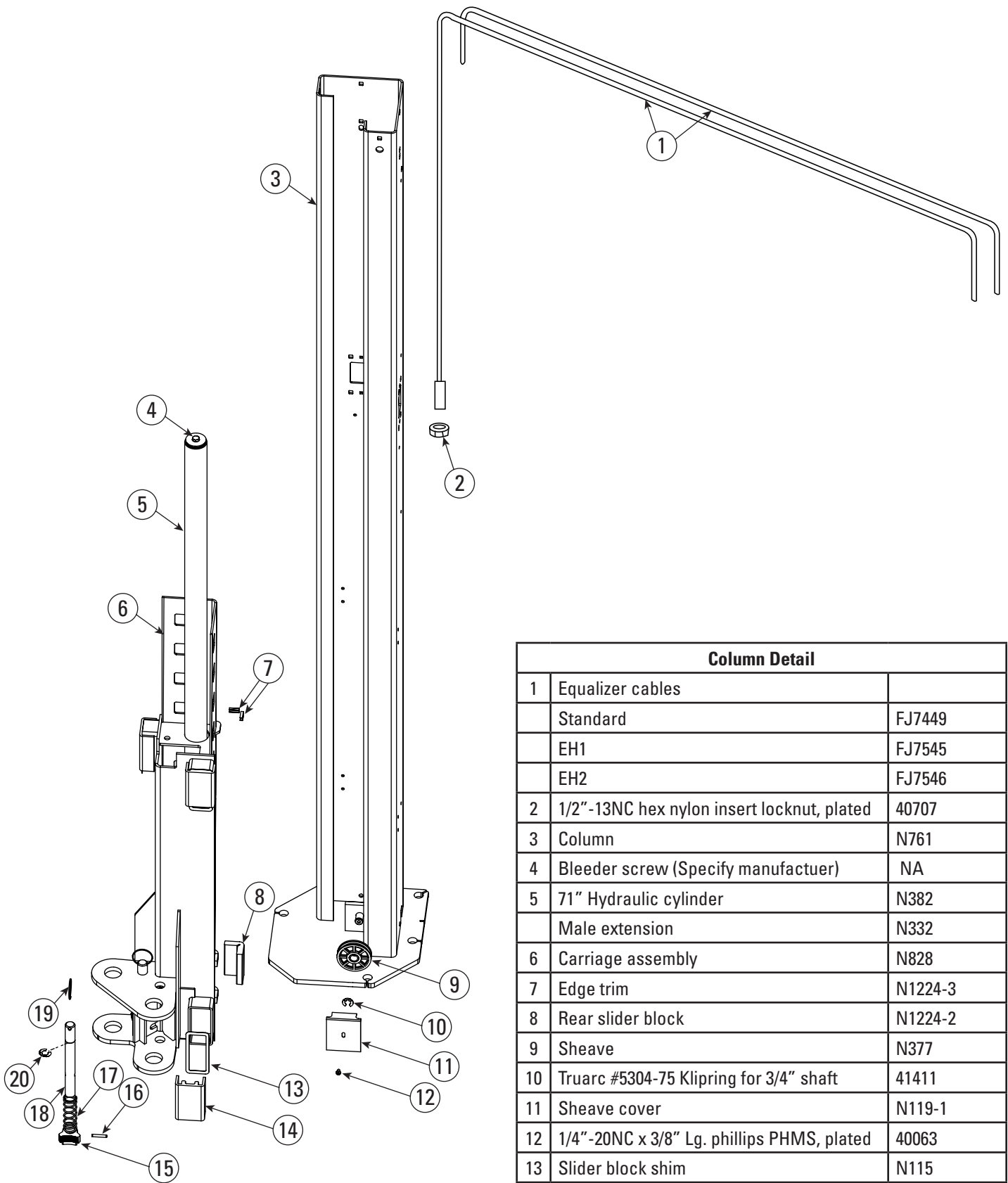
15	Truarc #5304-75 Klipping for 3/4" shaft	41411
16	Sheave shaft	FJ7444-8
17	Overhead mounting bracket	N4101
18	M10 x 1.5 x 20mm Lg. carriage bolt, grade 8.8, plated	41646
19	Column extension	
	Standard	N4102
	EH1	N4103
	EH2	N4104
20	M6 x 1.0 x 12mm Lg. carriage bolt, plated	41658
21	Mounting stud	N1224-6
22	Overhead switch cable	FA7401-10



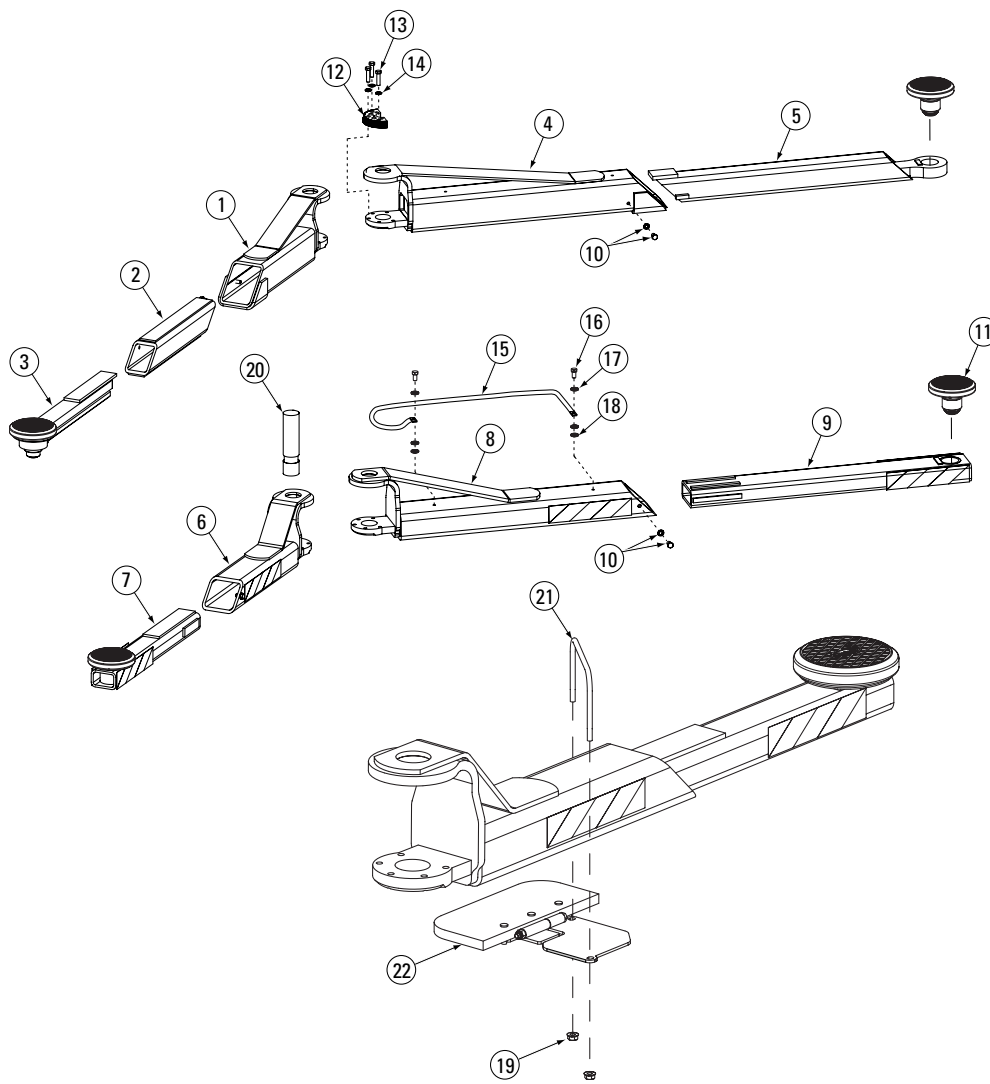
**Power Unit/Enclosure/Tool Holder Detail**

1	M6 x 1.0 x 10mm Lg. flanged BHCS	41659
2	5/8" OD x .355 ID x 3/32" rubber washer	N1224-7
3	Extension wire chase	
	Standard	FA7406
	EH1	FA7407
	EH2	FA7408
4	Upper wire chase	FA7405
5	Slave cover	FA7403
6	Lower wire chase	FA7404
7	Tool holder	FA5194-1
8	Adapter rack	FJ6199-1
9	Master enclosure assembly (3PH)	FJ7401-1
10	Back plate assembly (3PH)	FA7401-3
11	M6 x 1.0 serrated flanged locknut, plated	41656
12	M6 x 1.0 x 16mm Lg. carriage bolt, grade 8.8, plated	41647

13	Enclosure seal	
	680mm	FA7401-15
	572mm	FA7401-16
	375mm	FA7401-17
	235mm	FA7401-18
14	Power unit	P1463
15	Branch tee adapter	FJ7668
16	M8 x 1.25 x 40mm Lg. HHCS, grade 8.8, plated	41662
17	Power unit spacer pad	FA965
18	M8 x 1.25 serrated flanged locknut, plated	41663
19	Long mounting stud	N1224-4
20	Short mounting stud	N1224-5
21	130mm adapter	FJ6171-2
22	90mm adapter	FJ6171-1

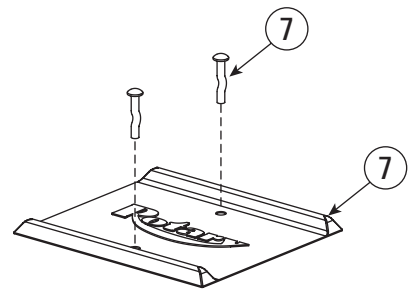
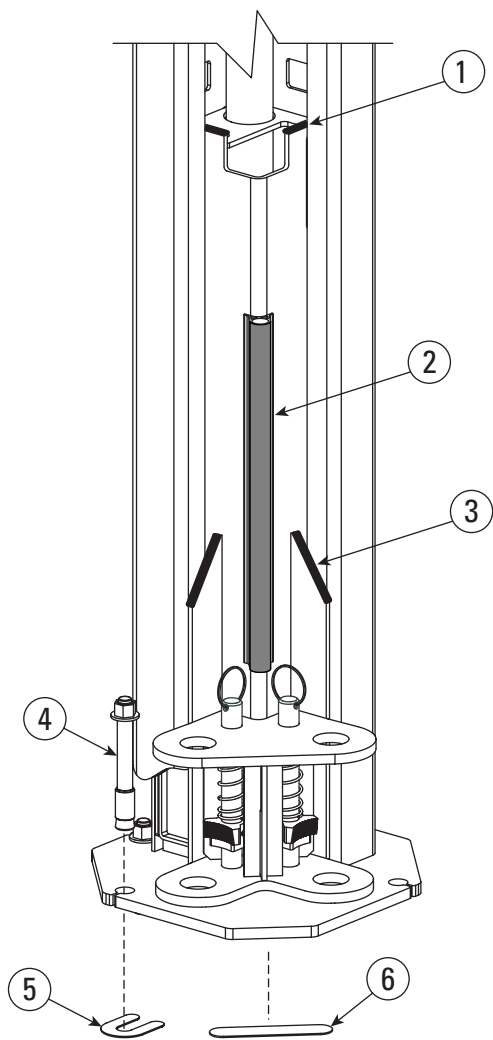


Column Detail		
1	Equalizer cables	
	Standard	FJ7449
	EH1	FJ7545
	EH2	FJ7546
2	1/2"-13NC hex nylon insert locknut, plated	40707
3	Column	N761
4	Bleeder screw (Specify manufacturer)	NA
5	71" Hydraulic cylinder	N382
	Male extension	N332
6	Carriage assembly	N828
7	Edge trim	N1224-3
8	Rear slider block	N1224-2
9	Sheave	N377
10	Truarc #5304-75 Klipring for 3/4" shaft	41411
11	Sheave cover	N119-1
12	1/4"-20NC x 3/8" Lg. phillips PHMS, plated	40063
13	Slider block shim	N115
14	Slider block	N1224-1
15	Arm restraint pawl	N2121
16	1/4" Dia. x 1-1/2" Lg. spring pin, stainless	14427
17	Arm restraint spring	FJ7656-2
18	Actuator pin	N121-1
19	Actuator pin handle	FJ7985-1
20	Retaining ring	N119-3



Arm Detail		
1	Front outer 3-stage arm	N2224-1
2	Front middle 3-stage arm	N2220-10
3	Front inner 3-stage arm	N2220-6
4	Rear outer arm	N2225-1
5	Rear inner arm	N2225-4
6	Front outer arm	N2190-1
7	Front inner arm	N284-1
8	Rear outer arm	N2191-1
9	Rear inner arm	N285-1
10	Stop bolt assembly	N219
	3/8" internal tooth lock washer, plated	40843
	3/8" -16NC x 5/8" Lg. HHCS, grade 8, plated	40155
11	Low profile adapter assembly	FJ6202
12	Restraint gear	N2122
13	3/8" -16NC x 1-1/2" HHCS, grade 8, plated	40373
14	3/8" spring lockwasher, plated	40818
15	Arm guard	N244-4
16	5/16" -18NC x 3/4" Lg. HHCS, plated	40252
17	5/16" medium spring lockwasher, plated	40850

18	5/16" flat washer SAE standard, plated	40856
19	1/4" -20NC Hex FLGD Wzlock nut, PLTD	40641
20	Arm pin	N2154
21	Short strap for 2-stage arms	N2255-11
	Long strap for 3-stage arms	N2255-10
22	Front arm guard assembly	N2255-1



Shim/BumperDetail		
1	Upper carriage bumper	FA962
2	Column door bumper	FA961
3	Carriage gusset bumper	FA941
4	Anchor kit	N968
	20mm dia. x 170mm Lg. anchor bolt	W140210
5	U shim	FJ716-6
6	Front shim	FJ7659-3
7	Wheel spotting dish kit	FF729
	Wheel spotting dish	FF729-1
	Drive anchor	FJ7659-2

World Headquarters:  
**Rotary Lift**  
**A DOVER COMPANY**  
2700 Lanier Drive  
Madison, Indiana USA  
Phone: 1.800.445.5438  
Phone: 1.812.273.1622  
Fax: 1.800.578.5438  
Fax: 1.812.273.6502  
userlink@rotarylif.com  
www.rotarylif.com

Germany:  
(European Headquarters)  
**BlitzRotary GmbH**  
Hüfingerring Straße 55  
D-78199 Bräunlingen  
Telefon +49.771.9233.0  
Telefax +49.771.9233.99  
info@blitzrotary.com  
www.blitzrotary.com

Canada:  
(Regional Sales Office)  
**Rotary Lift Canada**  
Mississauga, Ontario  
Phone: 888.256.4195  
Phone: 905.812.9920  
Fax: 905.812.9719  
canada@rotarylif.com

United Kingdom:  
(Regional Sales Office)  
**Rotary Lift (UK) LTD.**  
Halstead, Essex  
Phone: +44.178.747.7711  
Phone: +44.178.747.7720  
Fax: +44.178.747.7720  
sales@rotarylif.idps.co.uk

Austral-Asia:  
(Regional Sales Office)  
**Rotary Lift Austral/Asia**  
Shah Alam, Selangor, Malaysia  
Phone: +60.3.5192.5910  
Phone: +60.3.5192.5910  
sothman@rotarylif.com

