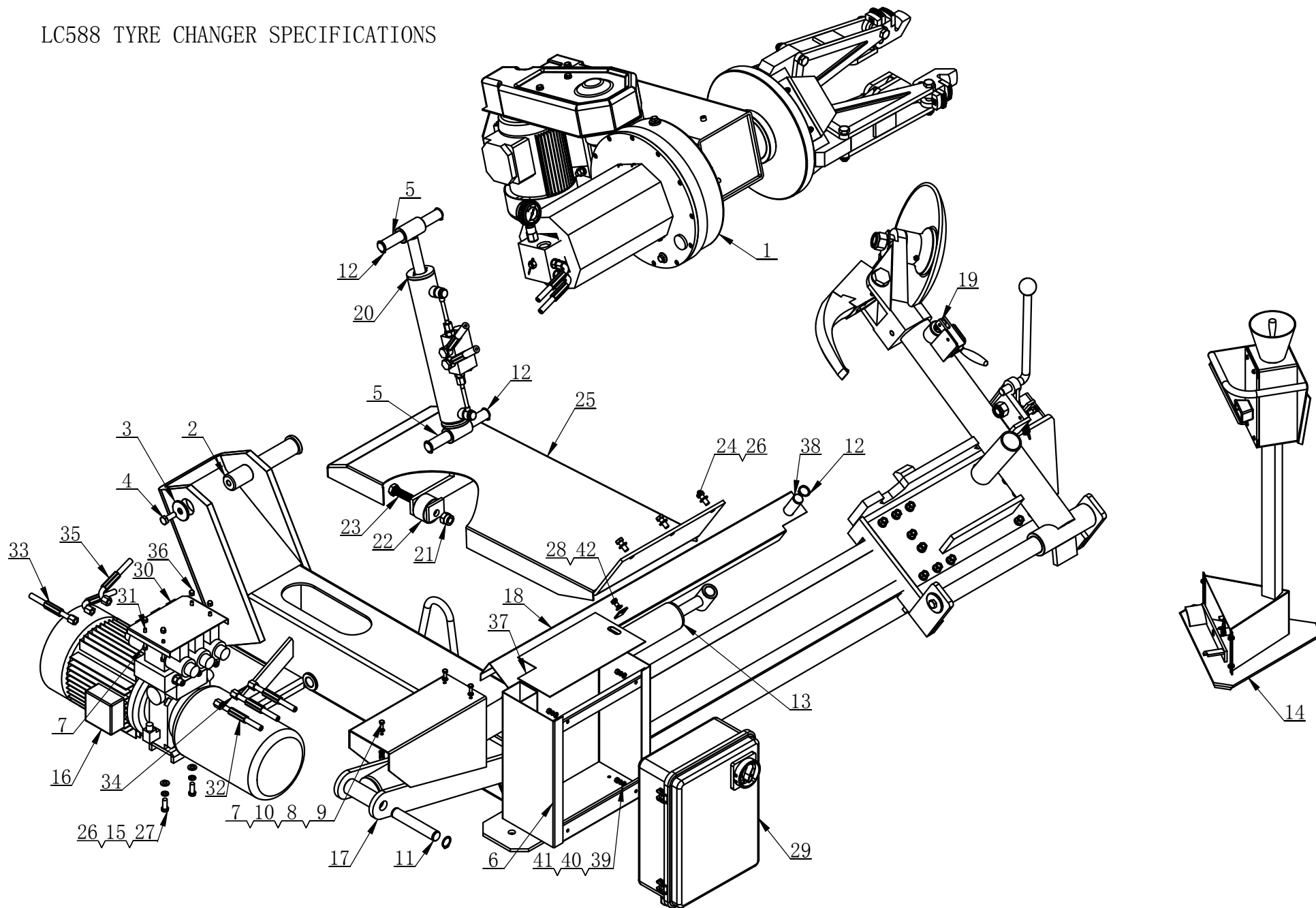


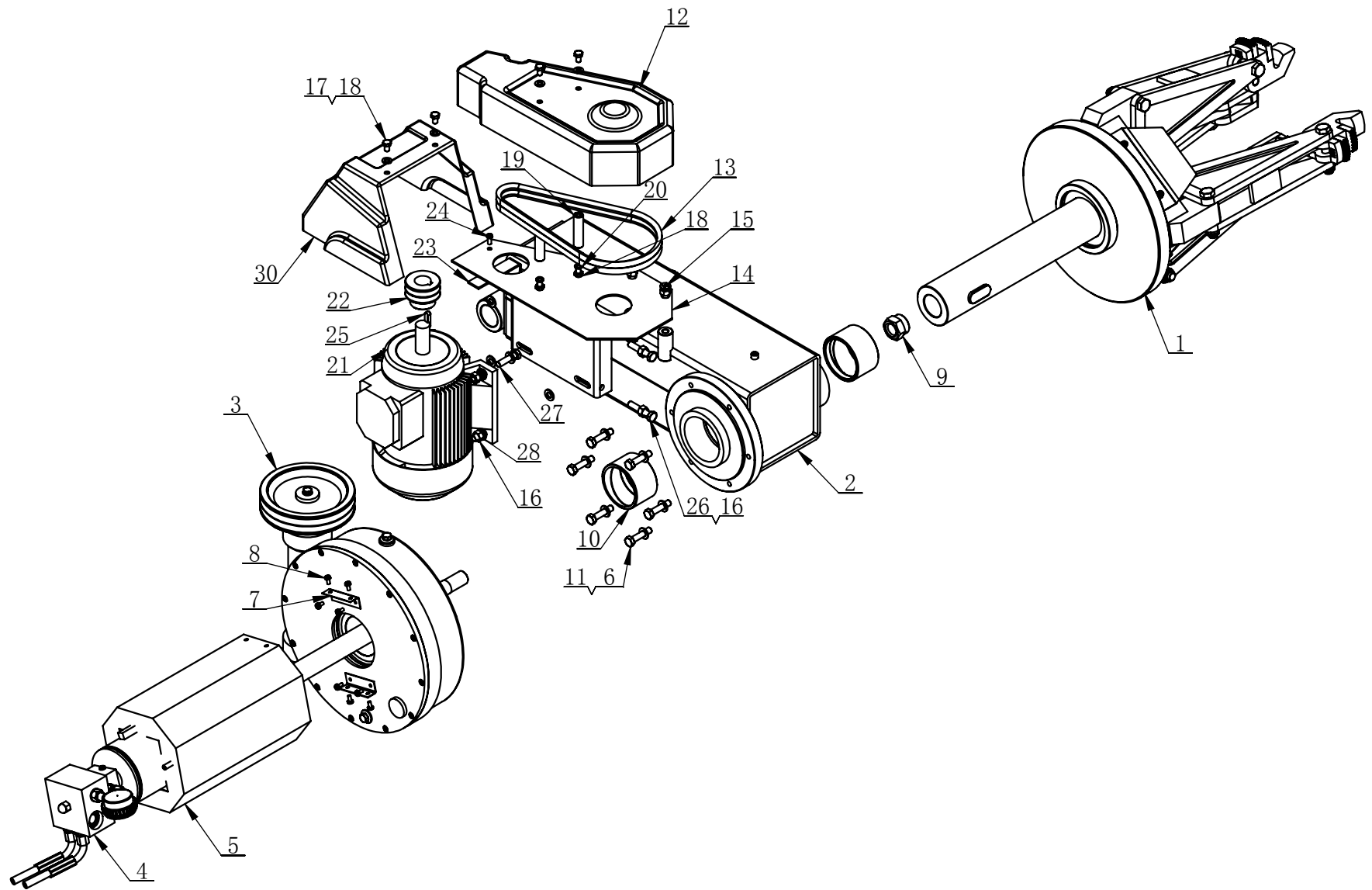
LC588 TYRE CHANGER SPECIFICATIONS



LC588 TYRE CHANGER SPECIFICATIONS

ITEM	PART №	Description.	QTY
1	6003201	VERTICAL MOVABLE ARM	1
2	6000950	VERTICAL MOVABLE ARM SUPPORT SHAFT	1
3	6001001	CIRCULAR GUIDERAIL WAHER	1
4	5006041	BOLT M12X30	1
5	6000951	VERTICAL MOVABLE ARM LINK SHAFT	2
6	6001087	WASHER STANDARD SPRING	1
7	5004008	NUT M6	11
8	5010043	WASHER 6	6
9	5000057	BOLT M6X20	3
10	5010058	WASHER 6	3
11	6001066	WASHER STANDARD SPRING	1
12	5010109	CIRCLIP 24	8
13	6001109	SHAFT RETAINING WASHER	1
14	6001084	TRAILER OIL RANK	1
15	5010006	WASHER 10	2
16	6001156	HYDRAULIC PUMP	1
17	6000904	BODY	1
18	6001006	MACHINE BODY	1
19	6000952	HYDRALIC CYLINDER	1
20	6001098	TAILER ASSEMBLY DRAWING	1
21	5004222	NUT M16	2
22	6001064	ROLLING WHEEL	2
23	5000059	BOLT M16X80	2
24	5004020	BOLT M10X25	3
25	6001059	TRAILER	1
26	5004041	WASHER 10	5
27	5004009	SCREW M10X25	2
28	5000055	WASHER 8	1
29	6003202	ELECTRICAL CONTROL CABINET	1
30	6001070	VALVE COVER	1
31	6001069	DORBLE ROD SCREW	4
32	5500040	PRESSURE-PROOF RUBBER HOSE L1800	1
33	5500060	PRESSURE-PROOF RUBBER HOSE L1850	1
34	5500059	PRESSURE-PROOF RUBBER HOSE L1000	2
35	5500061	PRESSURE-PROOF RUBBER HOSE L1200	2
36	5000060	ACORN NUT M6	4
37	6003203	PROTECTIVE COVER	1
38	6000997	SHORT PIN SHAFT	1
39	5008063	WASHER 6	4
40	5008122	WASHER 6	4
41	5004008	NUT M6	4
42	5000051	BOLT M8X12	1

6003201 VERTICAL MOVABLE ARM



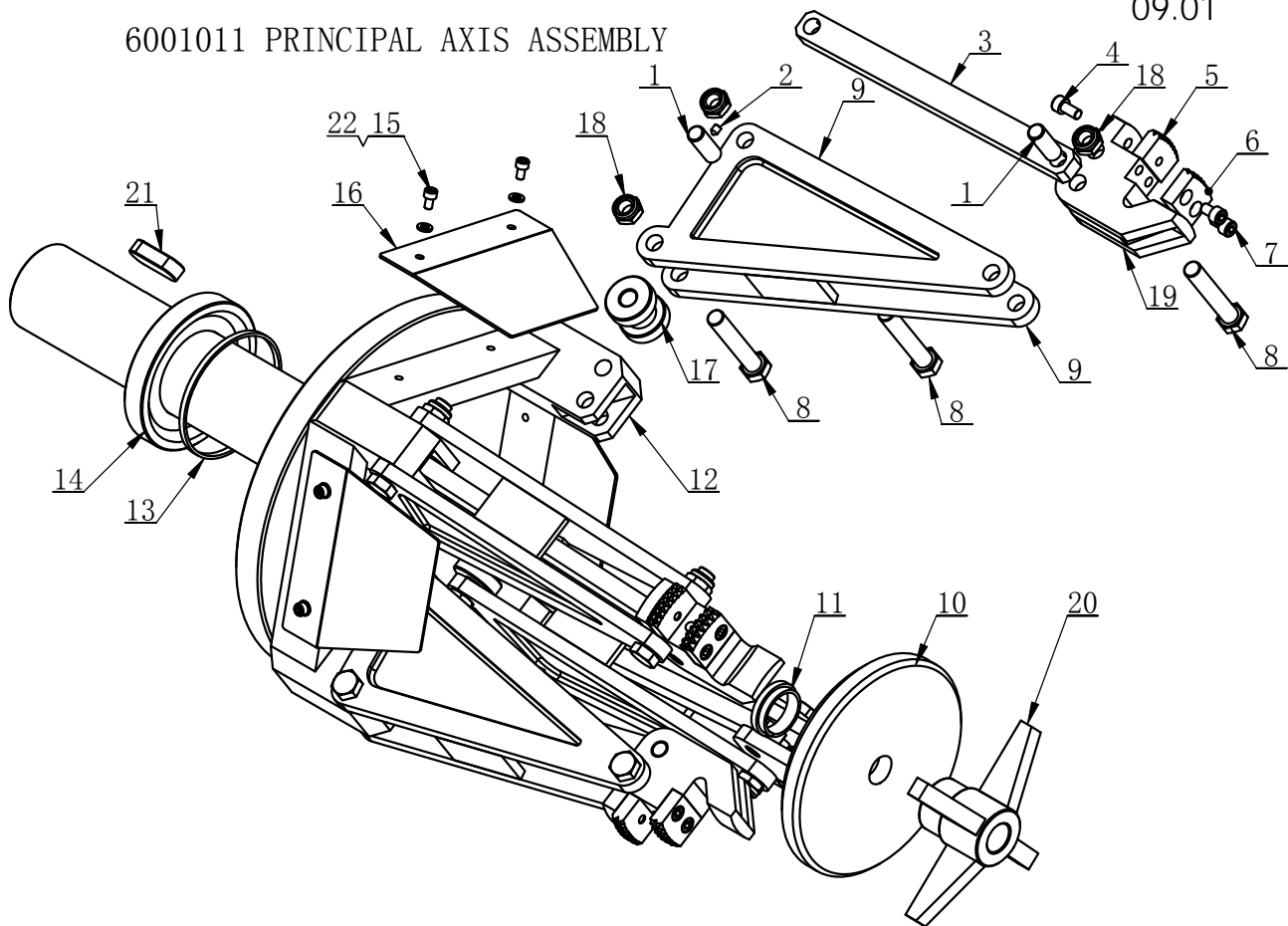
LC588.02.00

6003201 VERTICAL MOVABLE ARM

ITEM	PART №	Description.	QTY
1	6001011	MAIN SHAFT	1
2	6000932	WELDING VERTICAL MOVABLE ARM	1
3	6001200	WORM BOX	1
4	6001154	MAIN SHAFT OIL TANK	1
5	6001045	MAIN SHAFT OIL TANK HOOK	1
6	5000056	BOLT M10X45	6
7	6001044	SUPPORT ANGLE IRON	2
8	5000048	SCREW M6X10	8
9	5000049	NUT M24	1
10	6000948	BEARING BUSHING	2
11	5004041	WASHER 10	14
12	6001150	BELT PULLEY BELT	1
13	5000062	TRIANGLE BELT A710	2
14	6001053	MOTOR BELT PULLEY COVER PLATE	1
15	5000067	SCREW M10X30	2
16	5010004	NUT M10	8
17	5000055	WASHER 8	4
18	5000051	BOLT M8X12	6
19	6001058	CONNECTING PIN	2
20	5004046	WASHER 8	2
21	5500006	MOTOR 380V	1
22	6001056	SMALL BELT PULLEY	1
23	6001051	SUPPORT BRACKET	1
24	5000054	SCREW M6X14	1
25	5000053	PLAIN KEY 8X32	1
26	5010029	BOLT M10X50	2
27	5000089	BOLT M10X40	4
28	5010006	WASHER 10	4
29	5004008	NUT M6	1
30	6001149	VERTICAL MOVABLE ARM BACK COVER	1

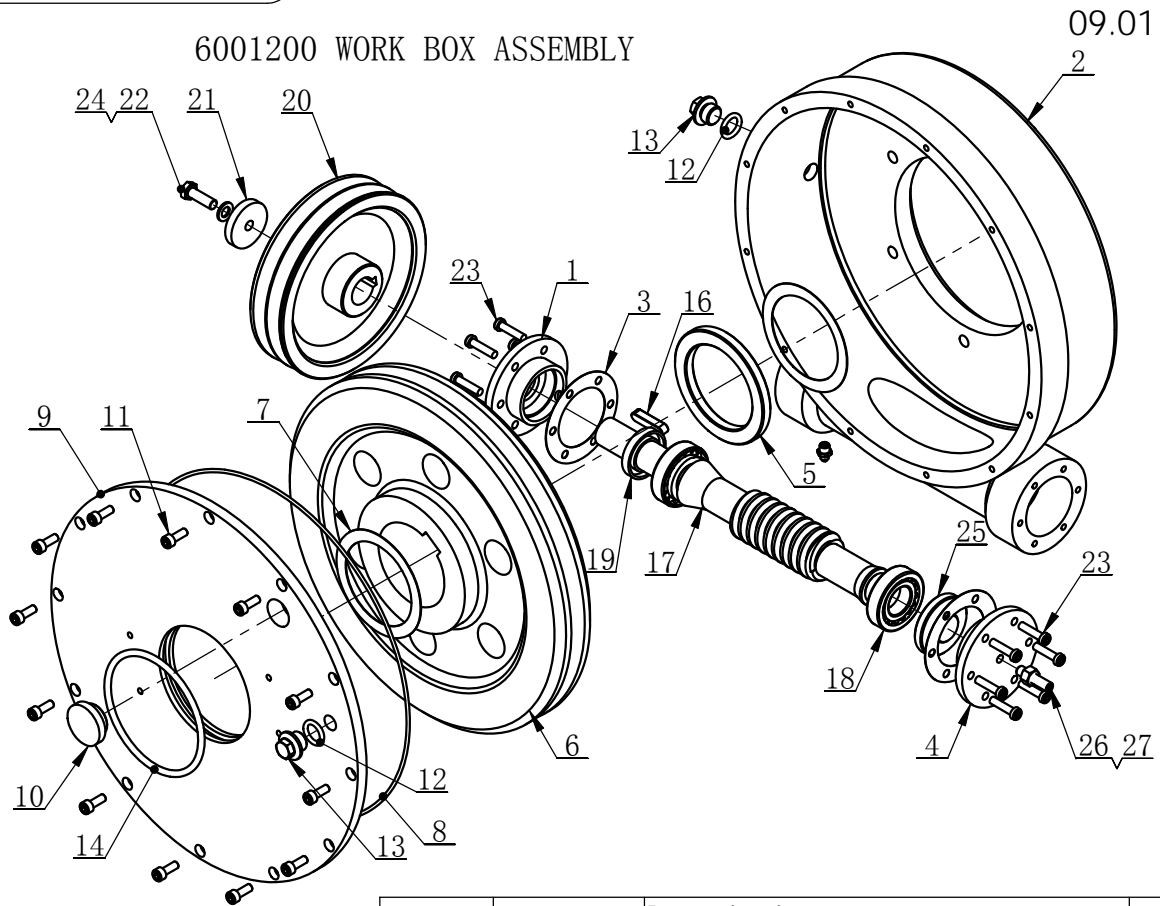
6001011 PRINCIPAL AXIS ASSEMBLY

09.01



ITEM	PART №	Description.	QTY
1	6001023	PIN SHAFT	8
2	5000001	SCREW M6X8	8
3	6001024	PULLING PLATE	4
4	5000002	SCREW M8X16-N	4
5	6001025	GRIPPING CLAW A	4
6	6001026	GRIPPING CLAW B	4
7	5000003	SCREW M8X12	8
8	5000004	BOLT M14X80	12
9	6001018	CLAMP SUPPORT	4
10	6001022	PAD	1
11	6001030	PROTECTION BUSHING	1
12	6001012	SPINDLE WELDING	1
13	5500001	FELT D110Xd105X5	1
14	6001031	EXTERNAL FURREUL1 OF MAIN SHAFT	1
15	5004220	SCREW M6X10	8
16	6001048	GUIDE PLATRE	4
17	6001028	ROLLER	4
18	5000006	NUT M14	12
19	6001027	GRIPPING CLAW	4
20	6001021	SUPPORT BRACKET	1
21	5000008	PLAIN KEY 20X56	1
22	5000007	WASHER 6	8

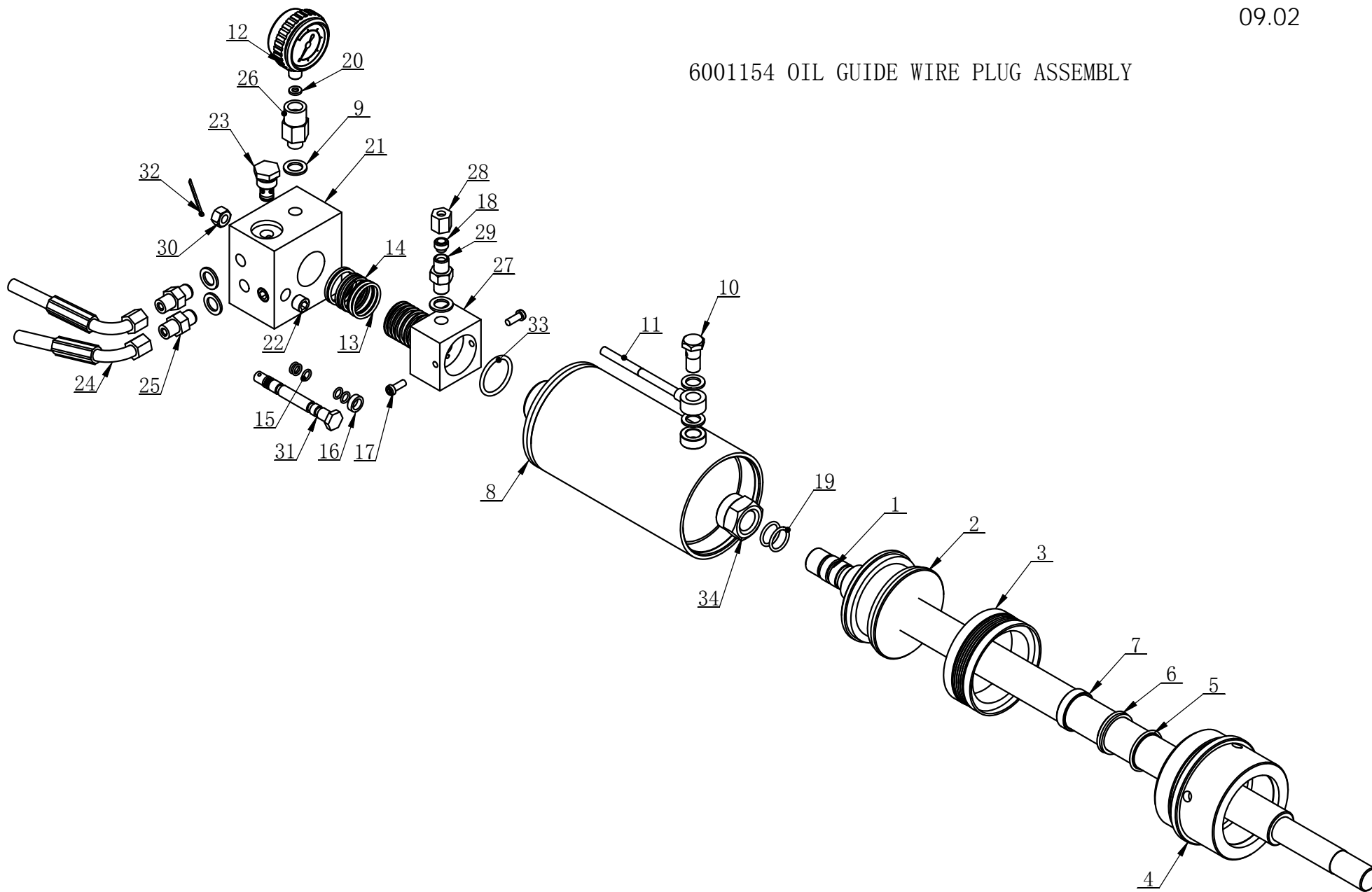
6001200 WORK BOX ASSEMBLY



ITEM	PART №	Description.	QTY
1	6001041	WORM BOX FRONT TERMINATION	1
2	6001037	WORM BOX	1
3	6001148	PAPER WASHER	2
4	6001039	WORM BOX BACK TERMINATION	1
5	6001033	MAIN SHAFT ADJUSTING WASHER	1
6	6001034	WORM	1
7	6001032	WASHER	2
8	5000009	O-RING 300X2.65	1
9	6001038	COVER OF WORM BOX	1
10	5500002	OIL DISPLAY M27X1.5	1
11	5006006	SCREW M6X16	12
12	5000011	O-RING 15X3.55	2
13	6001155	BOLT	2
14	5000013	O-RING A D100X5.3	1
15	5000012	OIL CUP M8X1	1
16	5000014	PLAIN KEY 8X40	1
17	6001040	WORM SHAFT	1
18	5000015	ROLLING BEARING 30205	2
19	5000016	SEALING WASHER W42X25X7	1
20	6001042	LARGE BELT PULLEY	1
21	6001043	CIRCLIP	1
22	5000019	BOLT M8X25	1
23	5000017	SCREW M6X25	12
24	5000018	WASHER 8	1
25	5010138	WASHER	1
26	5006445	SCREW M8X35	1
27	5002060	NUT M8	1

6001154 OIL GUIDE WIRE PLUG ASSEMBLY

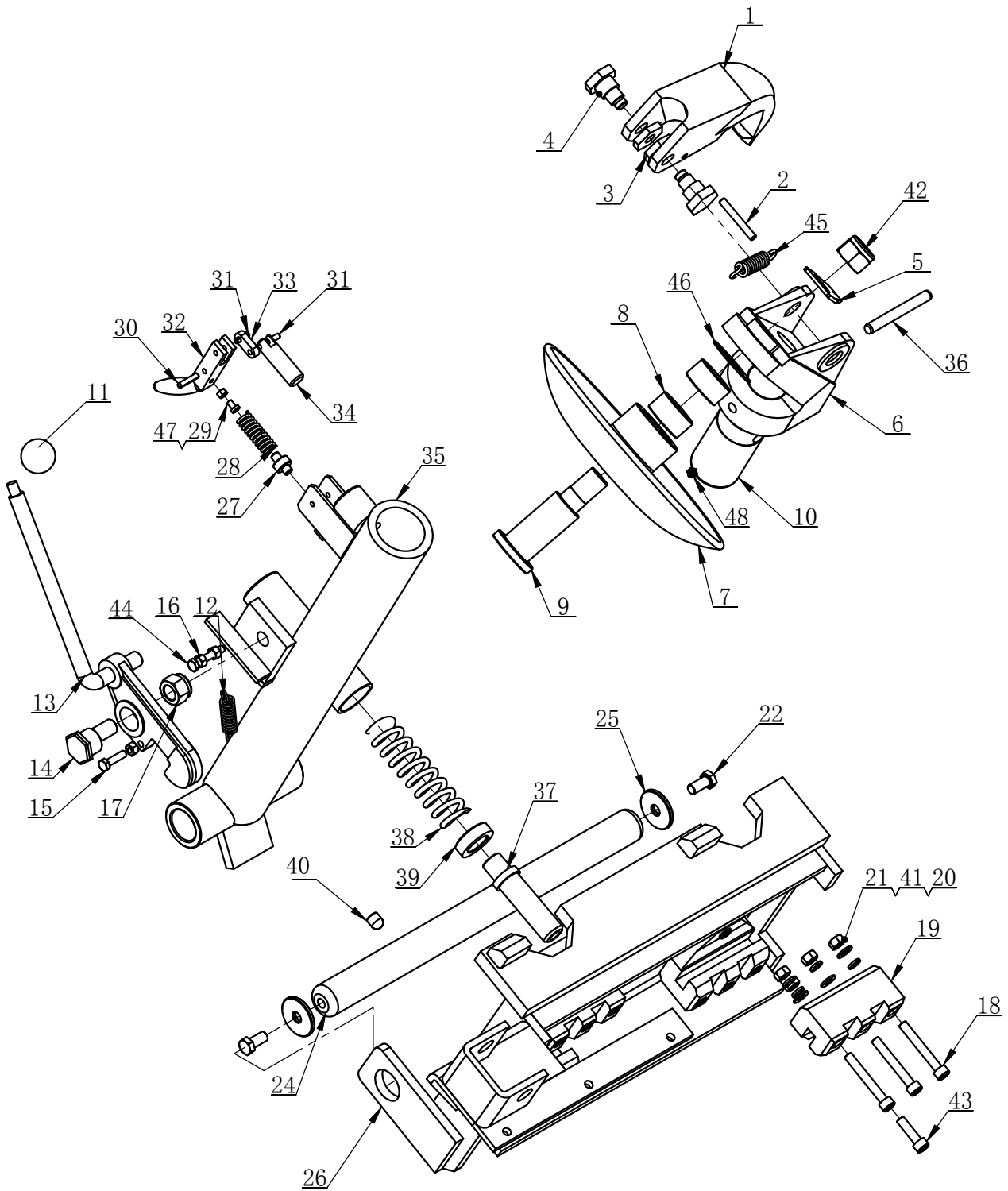
LC588:12.03.00



6001154 OIL GUIDE WIRE PLUG ASSEMBLY

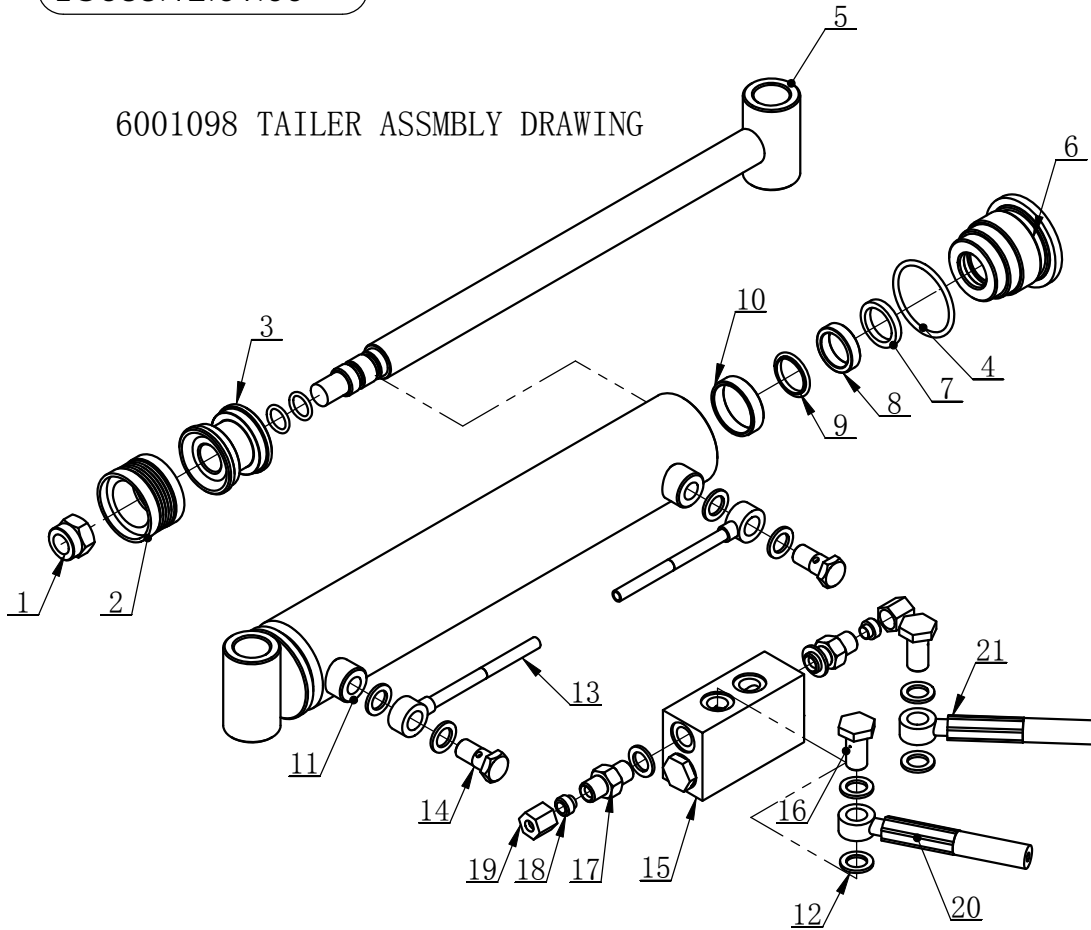
ITEM	PART №	Description.	QTY
1	6001122	PISTON ROD	1
2	6001121	PISTON	1
3	5500009	SEALING RING 95X75X35	1
4	6001123	OIL TANK FRONT COVER	1
5	5500010	RING 35X42. 2X35	1
6	5500011	SUPPORT RING 35X43X12	1
7	5500012	GUIDE BELT	1
8	6001117	MAIN SHAFT OIL TANK BODY	1
9	5500028	COPPER PAD 22X14X2	6
10	6001133	OIL TUBE CONNECTOR JOINTS MOUTH	1
11	5500014	PRESSURE-PROOF RUBBER HOSE C 429	1
12	5500015	PRESSURE GAUGE	1
13	5000037	RING 31. 5X2. 65	6
14	5500019	CIRCLIP	4
15	5000038	RING 8X1. 8	5
16	5500022	OIL GUIDE VALVE SHAFT FURREUL	1
17	5000035	SCREW M6X16	2
18	5500016	CLAMP BUSHING	1
19	5006447	RING 20X2. 65	2
20	6003199	WASHER	1
21	5506510	OIL GUIDE VALVE CORE	1
22	5006451	SCREW M14X10	4
23	5500013	A TERMINATION PRESSURE HOUE	1
24	5500013	A TERMINATION PRESSURE HOUE	2
25	6001136	OIL ROUTE DOUBLE SCREW ROD	2
26	6003198	PRESSURE GAUGE CONNECTOR	1
27	5500018	OIL GUIDE VALVE CORE	1
28	6001125	NUT-LOCK	1
29	6001124	OIL PIPE DOUBLE SCREW ROD	1
30	6003200	NUT M10	1
31	5500020	OIL GUIDE LOCK VALVE SHAFT	1
32	5006448	PIN 2. 5X45	1
33	5006452	RING 34. 5X3. 55	1
34	5006495	NUT M24	1

6000952 TRAILER ASSEMBL



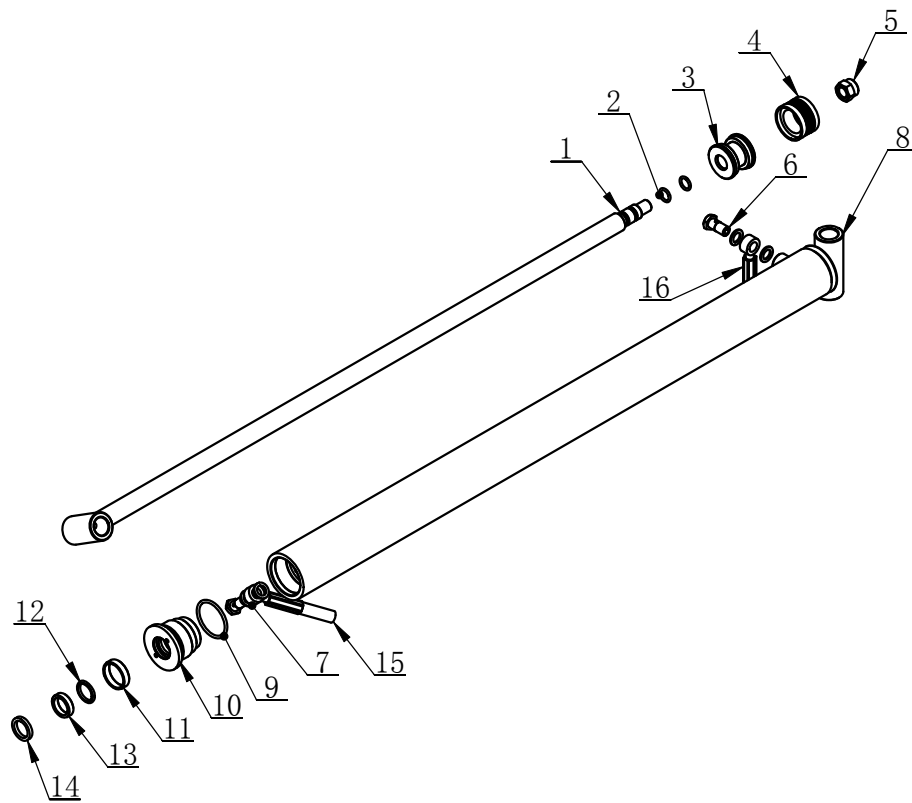
ITEM	PART №	Description.	QTY
1	6000985	SHARP-NOSE TOOL, SUCH AS NIPPER PLIER	1
2	6000986	PIN	1
3	6000988	NUT	2
4	6000987	SCREW-FIX	2
5	6000991	EXTENSION SPRING CONNECT PLATE	1
6	6000992	DOUBLE TOOL SUPPORT	1
7	6000993	TURNTABLE	1
8	6000976	BEARING	2
9	6000989	CORE SHAFT	1
10	6000990	CONNECT SHAFT	1
11	5010005	HANDBALL M12	1
12	6002067	EXTENSION SPRING	1
13	6008909	TIGER HOOK	1
14	6000979	ECCENTRIC SHAFT	1
15	5000030	BOLT M8X30	1
16	5002060	NUT M8	3
17	5000026	NUT M20X1.5	1
18	5000034	SCREW M10X70	12
19	6000956	GUIDERAIL SUPPORT	4
20	5010006	WASHER 10	16
21	5010004	NUT M10	16
22	5000020	BOLT M12X25	2
23	5000021	WASHER 12	2
24	6001002	TRAILER CIRCULAR GUIDERAIL	1
25	6001001	CIRCULAR GUIDERAIL WAHER	2
26	6000945	TRAILER ASSEMBLY	1
27	6000974	POSITION STUD	1
28	5000118	POSITION STUD	1
29	5000023	SCREW M6X10	1
30	5000025	PIN 6X30	1
31	5000024	PIN 6X20	2
32	6000970	FIX LOCK PRESSER	1
33	6001180	CONNECTING PLATE	1
34	6000973	PIN-FIX	1
35	6000957	TOOL SUPPORT	1
36	5000028	PIN 12X100	1
37	6000947	TRAILER PLANE	1
38	6000984	PRESS SPRING	1
39	6000983	NUT BUSHING	1
40	6000981	WASHER	1
41	5004221	WASHER 10	16
42	5004237	LOCK NUT M27*2	1
43	5006446	SCREW M10X35	4
44	6003204	BOLT M8X45	1
45	5506513	EXTENSION SPRING	1
46	6003205	WEARABLE WASHER	1
47	5004008	NUT M6	1
48	5000012	OIL CUP M8X1	1

6001098 TAILER ASSMBLY DRAWING



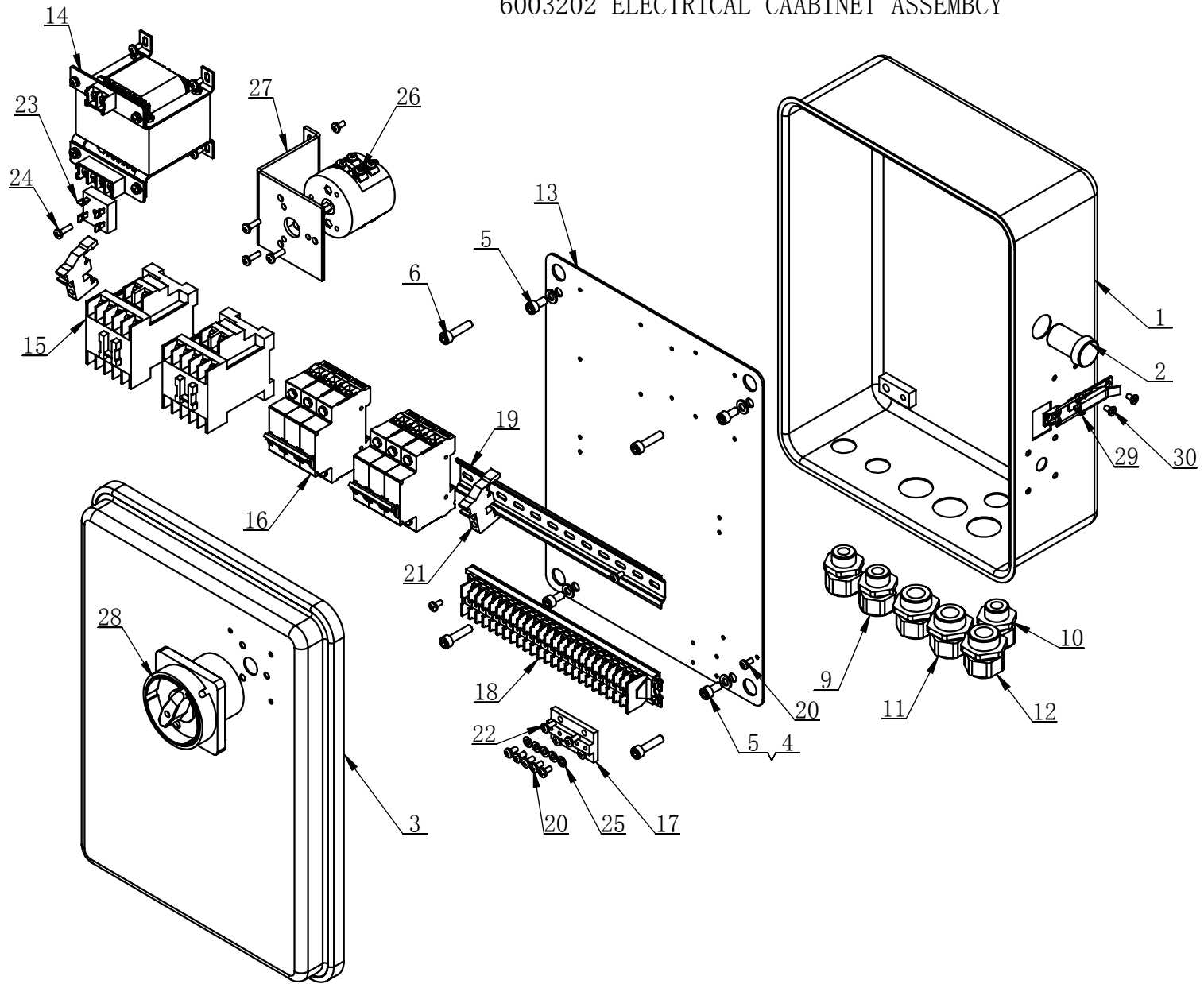
ITEM	PART №	Description.	QTY
1	5000050	NUT-LOCK	1
2	5500036	PTEE L43	1
3	6001104	PISTON	1
4	5500035	O-RING48.7x3.55	3
5	6001105	PISTON ROD ASEMBLY WELDING PART	1
6	6001108	DIRECTION BUSHING	1
7	5500034	DUST-PROOF GASKET 25x33x5	1
8	5500033	U SEALING RING 25x33x8.2	1
9	5500032	SEALING RING D25	1
10	5500031	SUPPORT RING 25X30X5.6	1
11	6001099	OIL TANK BODY	1
12	5500028	COPPER PAD 22X14X2	10
13	5500014	PRESSURE-PROOF RUBBER HOSE C 429	2
14	6001133	OIL TUBE CONNECTOR JOINTS MOUTH	2
15	5500037	HYDRAULIC LOCK	1
16	6001132	JOINTS MOUTH	2
17	6001124	OIL PIPE DOUBLE SCREW ROD	2
18	5500016	CLAMP BUSHING	2
19	6001125	NUT-LOCK	2
20	5500030	PREASURE HOSE (B-TERMINATION) L=850	1
21	5500030	PREASURE HOSE (B-TERMINATION) L=1100	1

6001109 SHAFT RETAINING WASHER ASSEMBLY



ITEM	PART №	Description.	QTY
1	6001114	PISTON ROD PIECES	1
2	5000046	SEALING RING	2
3	6001104	PISTON	1
4	5000045	SEALING RING	1
5	5000044	NUT-LOCK	1
6	6001133	OIL TUBE CONNECTOR JOINTS MOUTH	2
7	5500028	COPPER PAD 22X14X2	5
8	6001110	OIL TANK BODY	1
9	5000043	SEALING RING	1
10	6001108	DIRECTION BUSHING	1
11	5500031	SUPPORT RING 25X30X5.6	1
12	5500032	SEALING RING D25	1
13	5500033	U SEALING RING 25x33x8.2	1
14	5500034	DUST-PROOF GASKET 25x33x5	1
15	5500030	PREASURE HOSE (B-TERMINATION) L=1800	1
16	5506514	PREASURE HOSE (B-TERMINATION) L=1000	1

6003202 ELECTRICAL CABINET ASSEMBLY

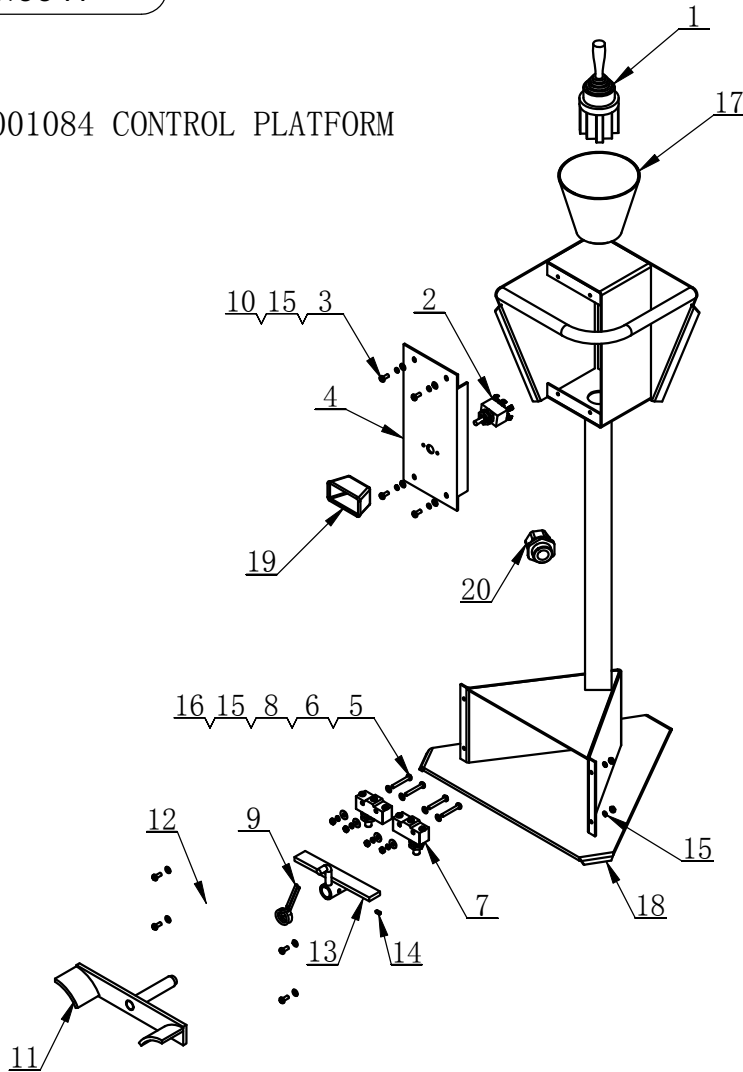


LC588.09.00

6003202 ELECTRICAL CABINET ASSEMBLY

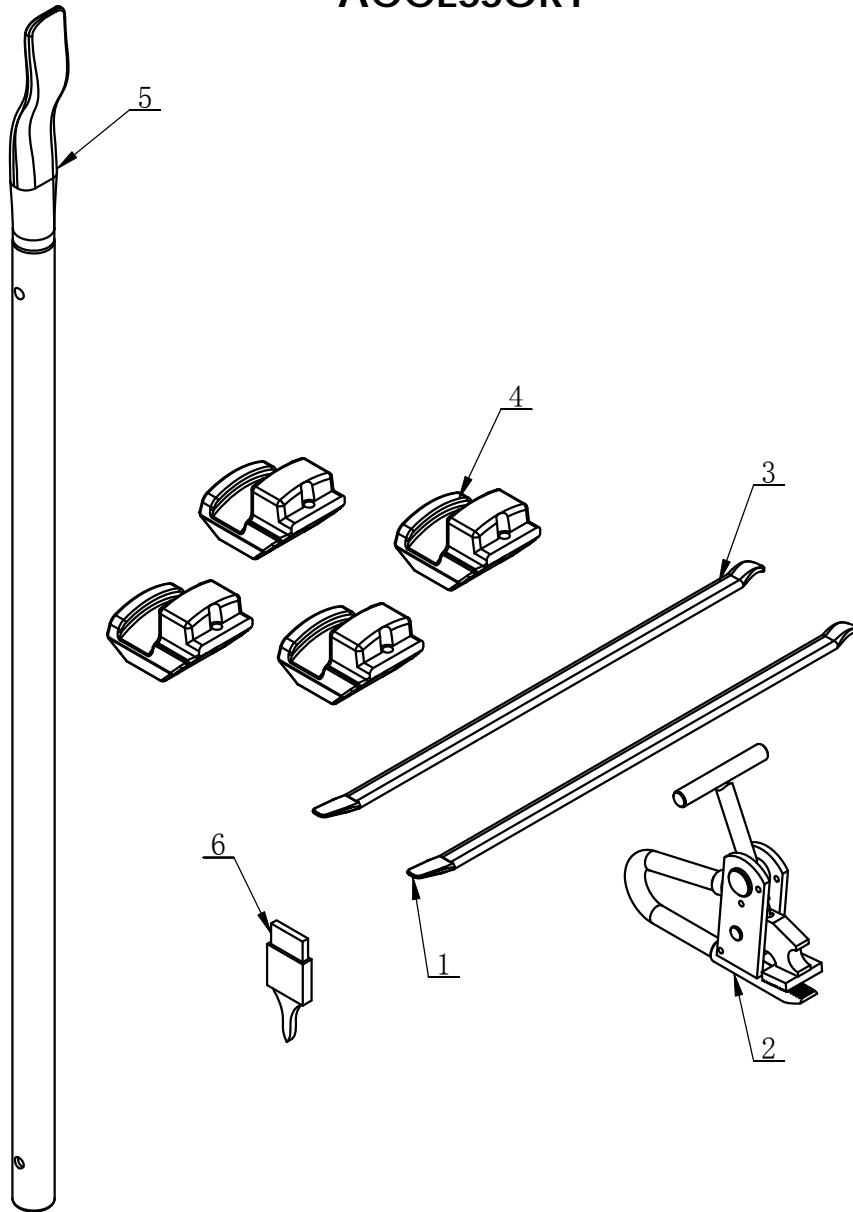
ITEM	PART No	Description.	QTY
1	5901100	ELECTRICAL CONTROL CABINET	1
2	5500056	INDICATING LIGHT AD16-22D	1
3	5901200	ELECTRICAL CABINET WELDING	1
4	5008063	WASHER 6	4
5	5004001	SCREW M6X12	4
6	5006006	SCREW M6X25	4
7	5901006	LONG PIN	2
8	5002068	RING 4	2
9	5500058	CABLE LOCK M18X1.5	2
10	5502089	CABLE LOCK HEAD M20X1.5	1
11	5500062	CABLE LOCK M27X1.5 PG21	2
12	5500062	CABLE LOCK M28X1.5	1
13	6001833	ELECTRICAL BLOCK BOARD	1
14	5500042	TRANSFORMER ASSEMBLY JBK3-100	1
15	5500051	AC CONTACTOR S-P12	2
16	5500052	TRI-POLE CIRCUIT BREAKER	2
17	6001081	GROUND TERMINATOR	1
18	5500127	LINE BANK ASSEMBLY	1
19	5500046	LONG FIXED PLATE 35mm	1
20	5009007	SCREW M4X8	15
21	5500053	FIXTURE CLAMP	2
22	5000010	SCREW M4X10	4
23	5500049	RECTIFIER BRIDGE BLOCK KBPC-2510	1
24	5000098	SCREW M4X14	4
25	5008069	WASHER 4	5
26	5500048	COMBINED SWITCH	1
27	6001835	SWITCH HOLDER	1
28	5500055	COMBINED SWITCH ASSEMBLY	1
29	5506415	DOOR LOCK	1
30	5509097	SCREW M4X8	2

6001084 CONTROL PLATFORM



ITEM	PART No	Description.	QTY
1	5500003	CROSS SWITCH TMRN-30	1
2	5500004	TORSION SWITCH	1
3	5000010	SCREW M4X12	8
4	6001086	COVER	1
5	5000031	SCREW M4X30	4
6	5010040	WASHER 4	4
7	5500005	MICROSWITCHE	2
8	5004049	WASHER 4	5
9	5500100	TORSION SPRING	1
10	5010122	WASHER 4	8
11	6001160	SHIFT DIRECTION SHAFT	1
12	6001501	BRACKET	1
13	6001502	SHIFT DIRECTION BUSHING	1
14	5000069	SCREW M4X8	1
15	5000068	WASHER 4	12
16	5000063	NUT M4	8
17	6001158	TORSION SWITCH PROTECTION COVER	1
18	6001500	操作盒	1
19	5500063	PROTECTIVE COVER	1
20	5500062	CABLE LOCK M28X1.5	1

ACCESSORY



ITEM	PART №	Description.	QTY
1	5004094	20INCH CROWBAR	1
2	6001157	CALIPER	1
3	5500038	24INCH CROWBAR	1
4	6008830	PROTECTIVE COVER(OPTIONAL ACCESSORIES)	4
5	5506519	CROWBAR	1
6	5506518	BRUSH	1