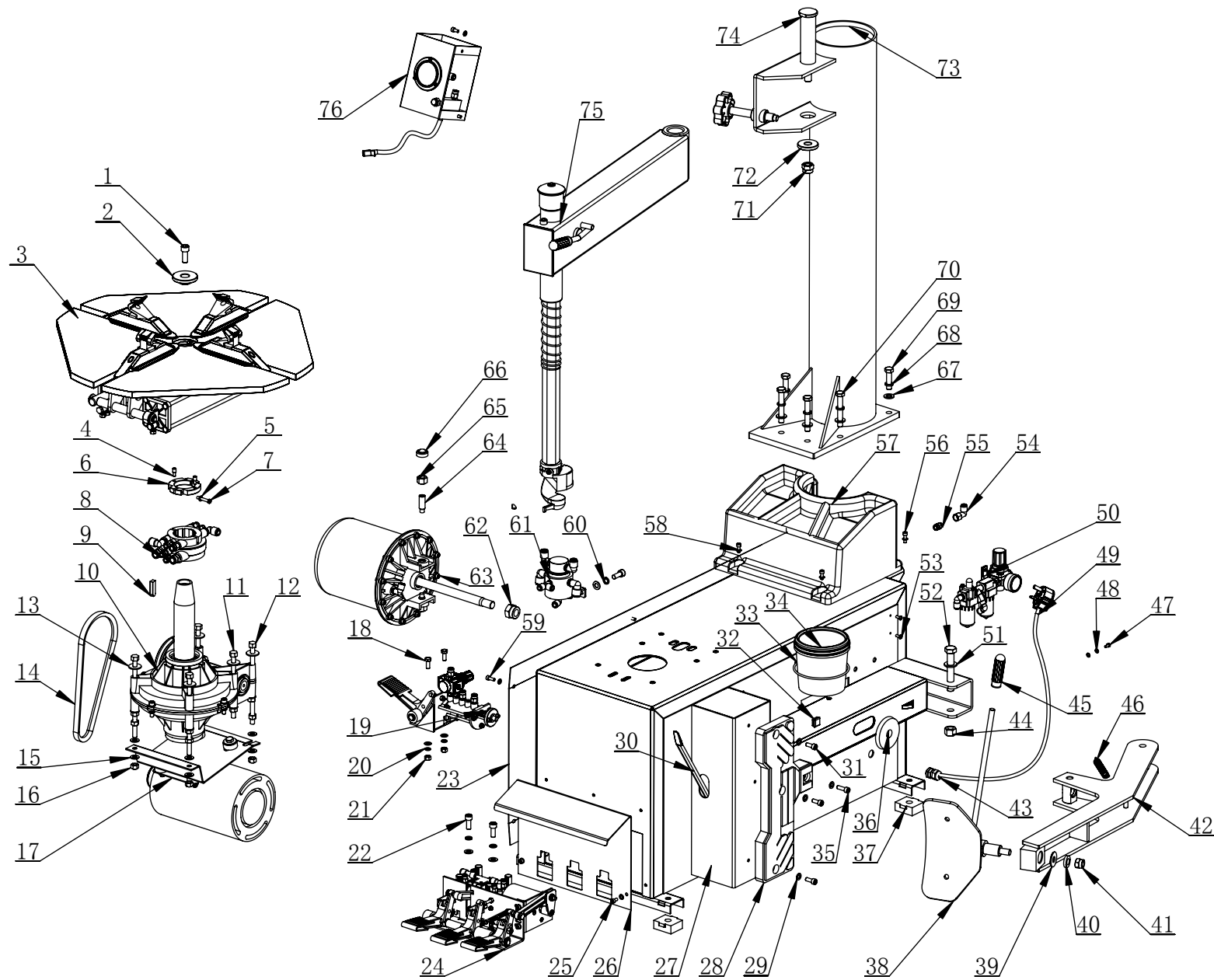


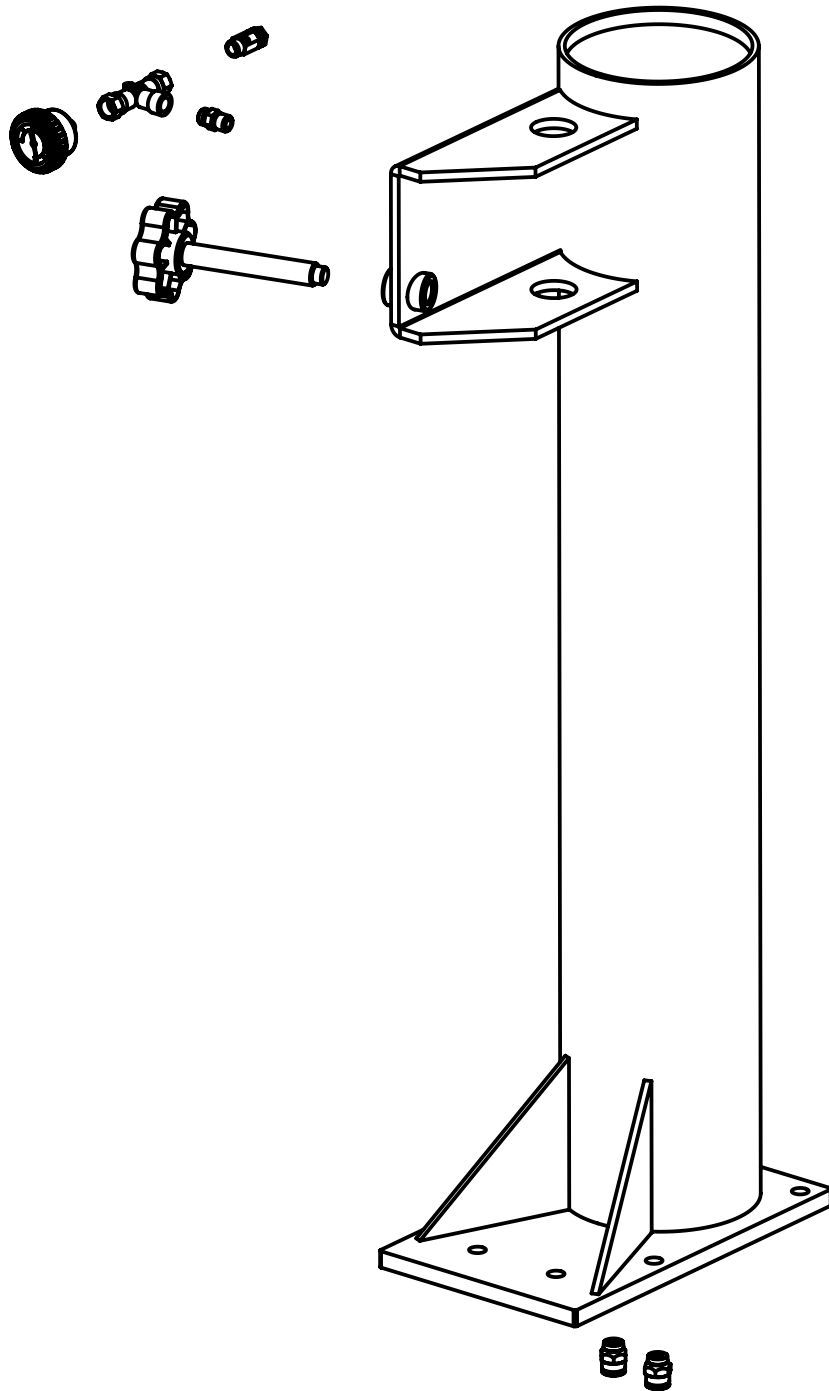
GT890.00.00

TIRE CHANGER

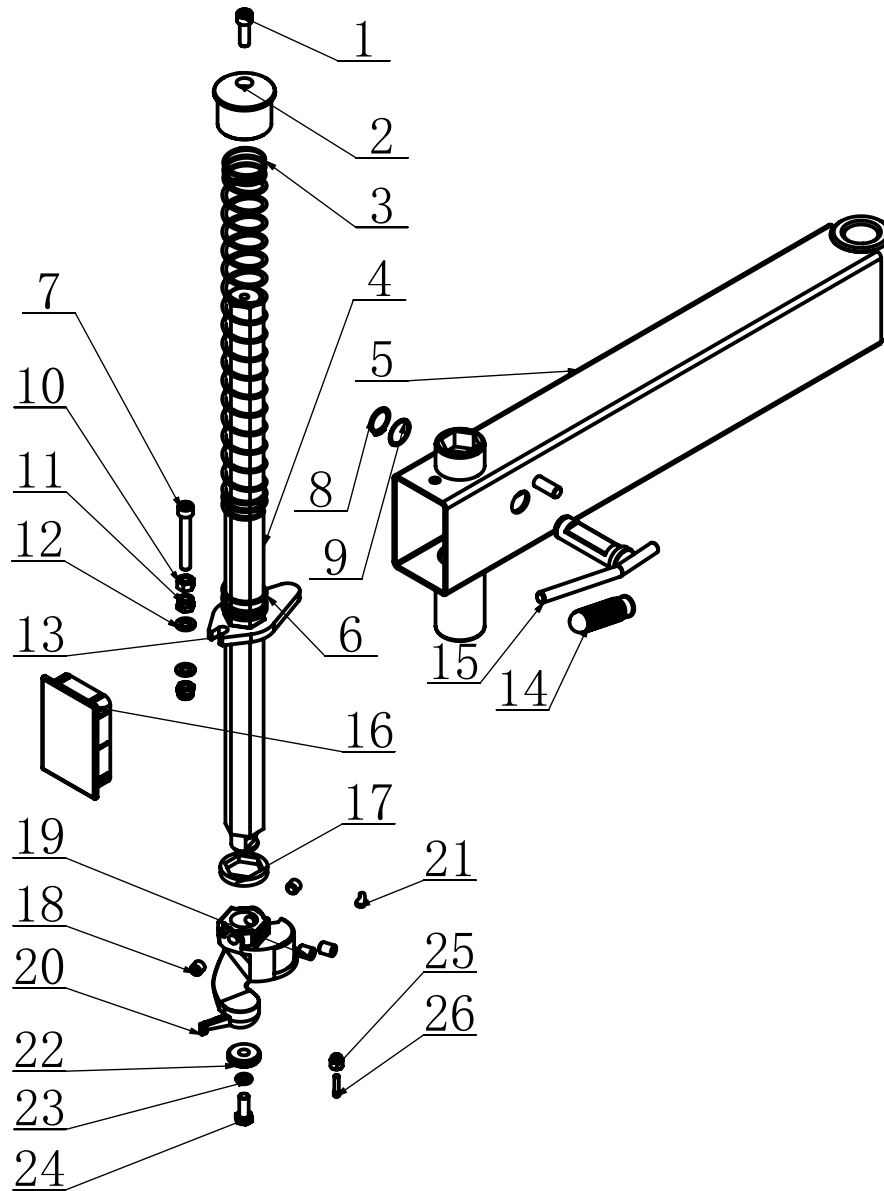
REVISION A-06



ITEM	QTY.	PART NO.	DESCRIPTION.	ITEM	QTY.	PART NO.	DESCRIPTION.
1	1	5002054	SCREW M12X30-N	42	1	6000309	BEAD BREAKER
2	1	6000106	PRESS COVER	43	1	5502049	CABLE CONNECTOR
3	1	6000260	TURNTABLE ASSEMBLY	44	1	5004042	NUT M16-N
4	2	5004002	SCREW M8X20	45	1	6008091	RUBBER COVER
5	2	5010043	PLAIN WASHERS 6	46	1	6000310	SPRING
6	1	6000618	CLAMP RING	47	1	5004221	BOLT M5X10-N
7	2	5004003	BPLT M6X35-35-N	48	2	5010045	WASHER 5
8	1	6000321	AIR GUIDER ASSEMBLY	49	1	5004107	CABLE
9	1	5006003	STRAIGHT KEY 12X45	50	1	5004096	AIR REGULATOR ASSEMBLY
10	1	6000270	GEARBOX ASSEMBLY	51	1	5010026	WASHER 16
11	2	5004004	BOLT M10X160	52	1	5010127	BOLT M16X100
12	4	5004006	BOLT M10X200	53	2	5006007	SCREW M5X12
13	6	5004005	WASHER 10	54	1	5004108	TEE 08-U02
14	1	5502039	BELT A26	55	1	5004056	INSERT FITTING $\Phi 8$,R1/4"
15	18	5006005	WASHER 10	56	2	5004032	SCREW M6X20-N
16	14	5010004	NUT M10	57	1	5502047	TOOL BOX
17	1	6000180	MOTOR ASSEMBLY	58	16	5000007	WASHER 6
18	2	5010077	BOLT M8X20	59	7	5010074	SCREW M6X16-N
19	1	6000285	QUICK INFLATION PEDAL ASSY	60	4	5010006	WASHER 10
20	2	5004046	WASHER 8	61	1	6000140	QUICK EXHAUST VALVE ASSY
21	2	5002060	NUT M8	62	1	5004111	NUT M18-N
22	4	5010064	SCREW M10X25	63	1	6000016	BEAD BREAKER CYLINDER ASSY
23	1	6005013	SIDE PANEL	64	2	5010012	SCREW M14X42
24	1	6000200	PEDAL ASSEMBLY	65	2	5000086	NUT M14
25	7	5004001	SCREW M6X12-N	66	1	5004070	SEALED COVER
26	1	6010037	PROTECTIVE COVER	67	6	5010020	WASHER 12
27	1	6010032	BODY	68	6	5010025	WASHER 12
28	1	5004093	RUBBER PAD PLATE	69	2	5010099	BOLT M12X45
29	6	5000018	WASHER 8	70	4	5010100	BOLT M12X80
30	1	5004094	CROWBAR	71	1	5004215	NUT M16
31	3	5010063	SCREW M8X20	72	1	6010036	SHAFT WASHER
32	1	5004103	RUBBER BLOCK	73	1	6005012	VERTICAL COLUMN
33	1	5004092	BRACKET	74	1	6010035	VERTICAL SHAFT
34	1	5004093	GREASE CONTAINER	75	1	6010034	SWING ARM
35	1	5010088	SCREW M8X25	76	1	6000306	INFLATOR COVER ASSEMBLY
36	1	5004073	RUBBER PLATE				
37	4	5004102	RUBBER FOOT				
38	1	6000308	BEAD BREAKER BLADE				
39	1	2010030	WASHER				
40	1	5010091	WASHER 14				
41	1	5010090	NUT M14				



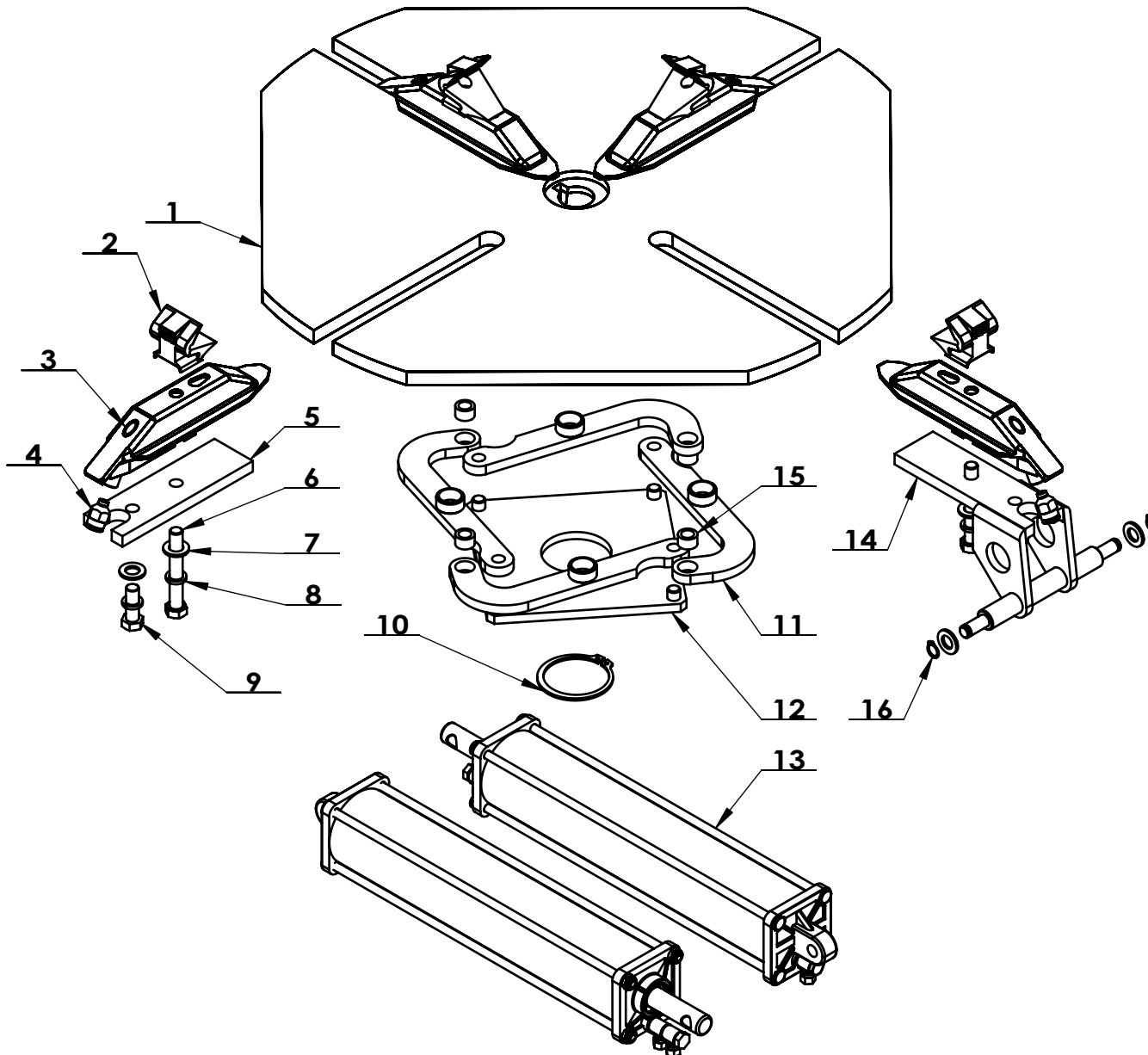
ITEM	QTY.	PART NO.	DESCRIPTION.
1	1	6005067	VERTICAL COLUMN
2	1	5004211	TEE G1/4"
3	1	5004101	DOUBLE SCREW R1/4
4	1	6000305	SAFE VALVE
5	2	5004109	INSERT FITTING R3/8" Φ12
6	1	5004211	PRESSURE GAUGE
7	1	5502048	HANDLE WHEEL



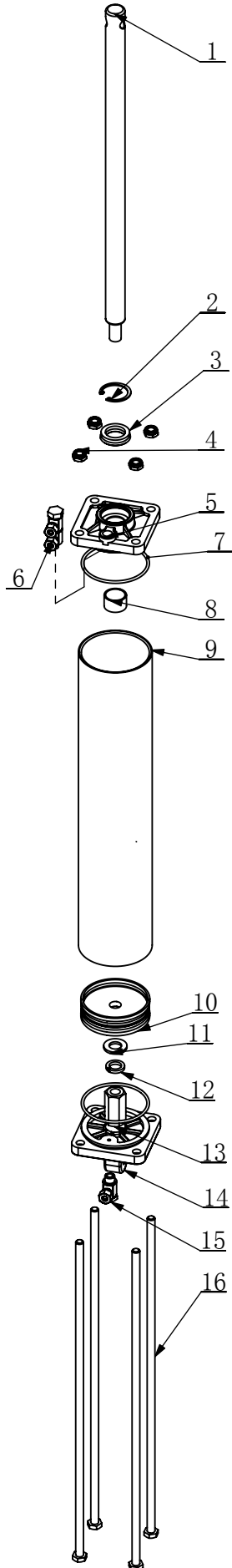
ITEM	QTY.	PART NO.	DESCRIPTION.
1	1	5000033	SCREW M10X30
2	1	5004200	VERTICAL SHAFT COVER
3	1	5502051	VERTICAL SHAFT SPRING
4	1	6010041	HEXAGON SHAFT
5	1	6010040	SWING ARM
6	1	5502052	VERTICAL SHAFT SPRING
7	1	5000034	SCREW M10X70-N
8	1	5002030	CIRCLIP 25
9	1	6010049	ADJUSTING WASHER
10	1	5010004	NUT M10
11	2	5006001	NUT M10
12	2	5004037	WASHER 10
13	1	5502053	HEXAGON LOCK PLATE
14	1	6008091	RUBBER COVER
15	1	6010042	LOCK HANDLE
16	1	5502054	DECORATING COVER
17	1	5004115	SHOCK ABSORBER WASHER
18	2	5004021	SCREW M12X12-N
19	2	5004023	SCREW M12X16-N
20	1	5004118	DEMOUNTING HEAD
21	1	5502044	PLASTIC COVER
22	1	5004201	PRESS WASHER
23	1	5010006	WASHER 10
24	1	5004020	BOLT M10X25
25	1	5004117	ROLLER
26	1	5004116	ROLLER BOLT

T-20YK.00.00 6000260 TABLE TOP ASSEMBLY

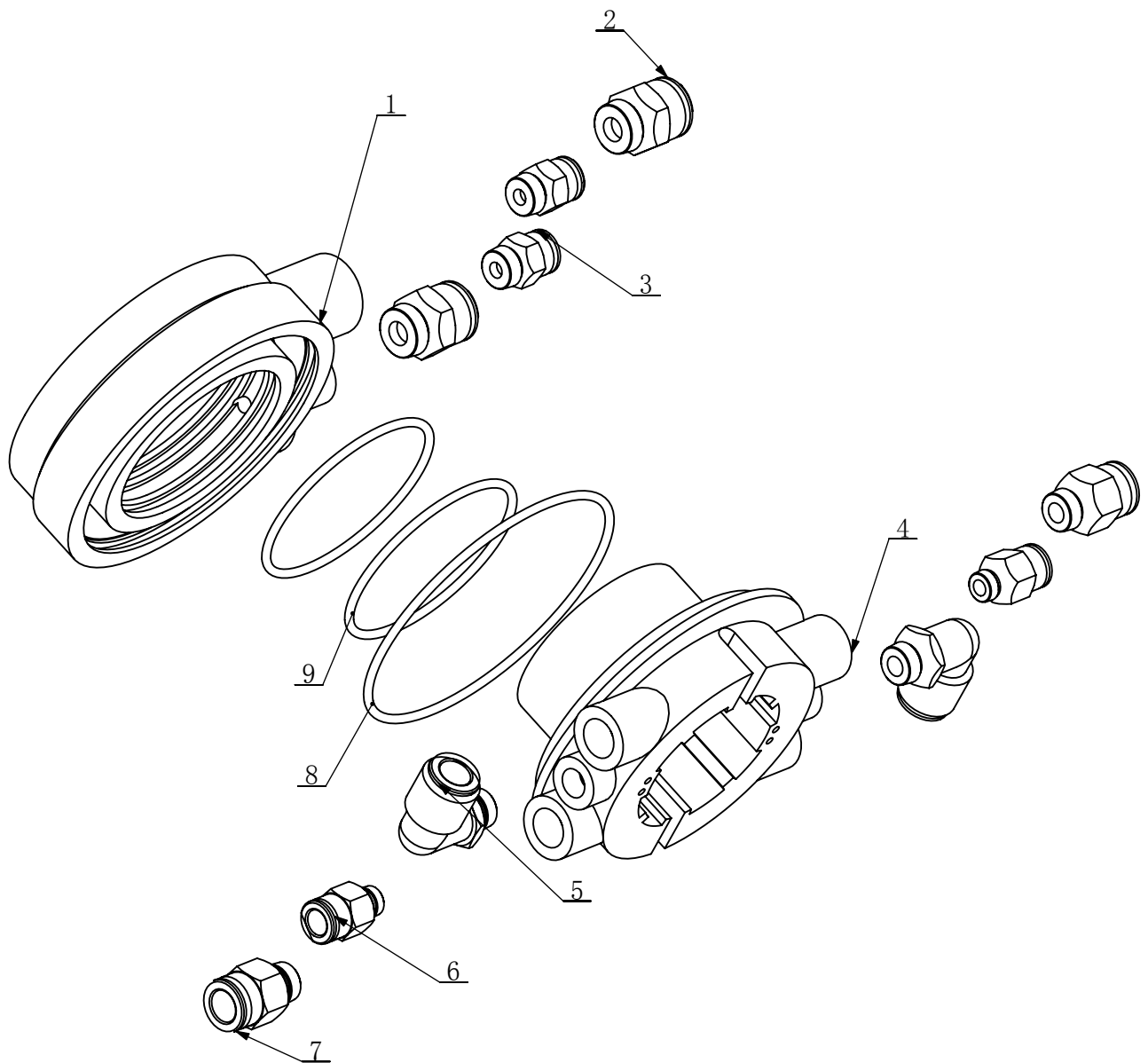
REVISION A-05



ITEM	QTY.	PART NO.	DESCRIPTION.
1	1	6000132	PLATE-F
2	4	6000107	CLAMP
3	4	6000261	GRIP COVER WELDING
4	4	5010036	INSERT FITTING D10, R1/8
5	2	6000262	BOTTOM CHUTE PRESS PLATE
6	4	5010127	BOLT M12X85
7	12	5010020	WASHER 12
8	8	5010025	WASHER 12
9	4	5010033	BOLT M12X35
10	1	5010030	CIRCLIP 65
11	4	6000135	CONNECT PLATE ASSEMBLY
12	1	6000105	PLATE-PIVOT
13	2	6000050	CYLINDER ASSEMBLY
14	2	6000133	BRACKET-CYLINDER
15	4	6000109	PULL BOARD SHEATH
16	4	5010061	CIRCLIP 12X1



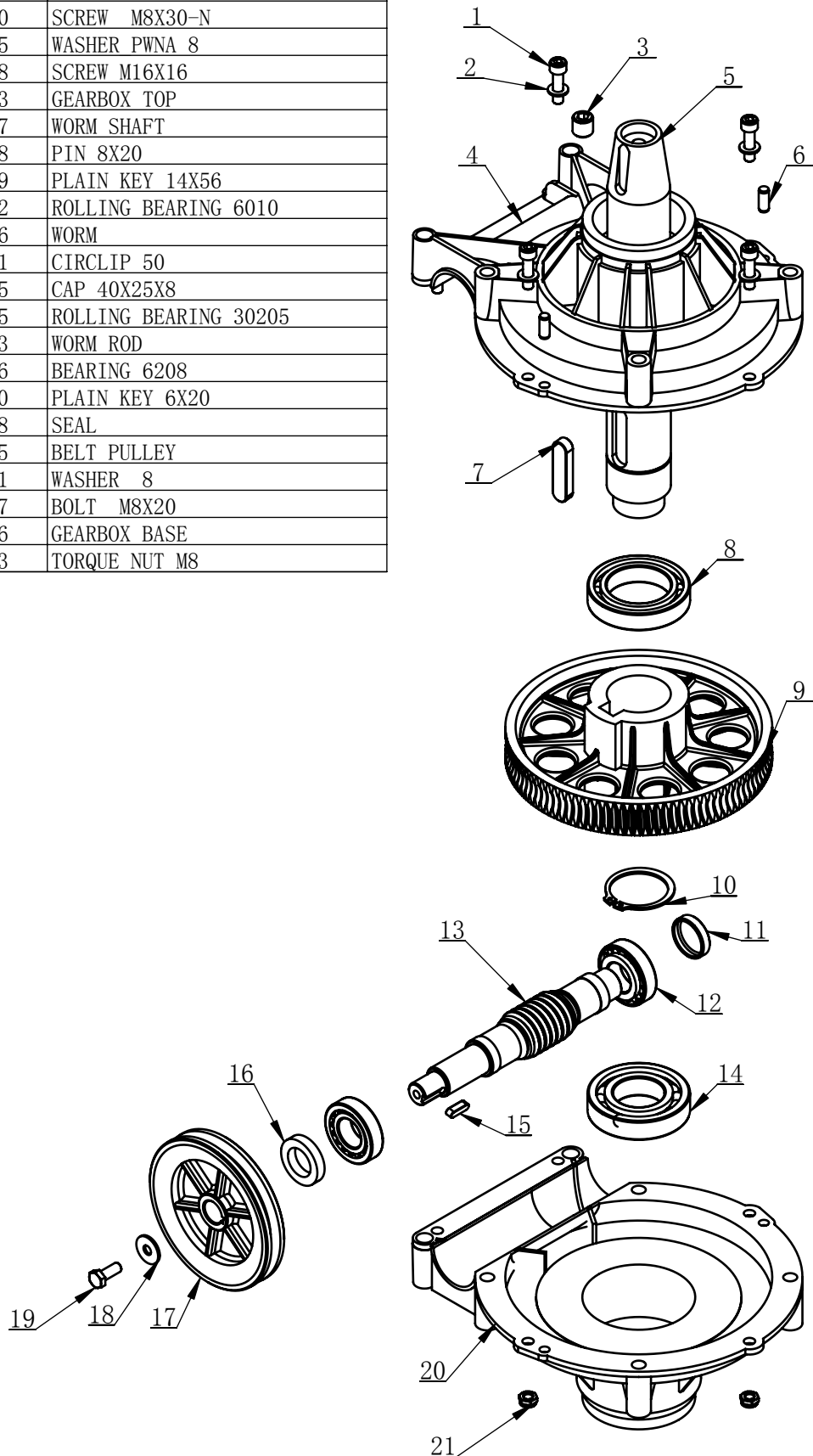
ITEM	QTY.	PART NO.	DESCRIPTION.
1	1	6000021	SHAFT-CYLNR
2	1	5010024	CIRCLIP 30
3	1	6000007	SEAL-ROD, CYLNR
4	4	5010003	NUT M8
5	1	6000004	FRONT COVER
6	1	6000010	HINGE TEE
7	2	5010021	O RING 65X2.65
8	1	6000008	BEARING-SLIDE
9	1	6000022	SLEEVE-CYLNR 70
10	1	6000011	PISTON-W/WSHR, ASSY
11	1	5000021	WASHER 12
12	1	5010025	WASHER 12
13	1	6000023	NUT 12
14	1	6000003	REAR COVER
15	1	6000009	HINGE ELBOW
16	4	6000024	BOLT



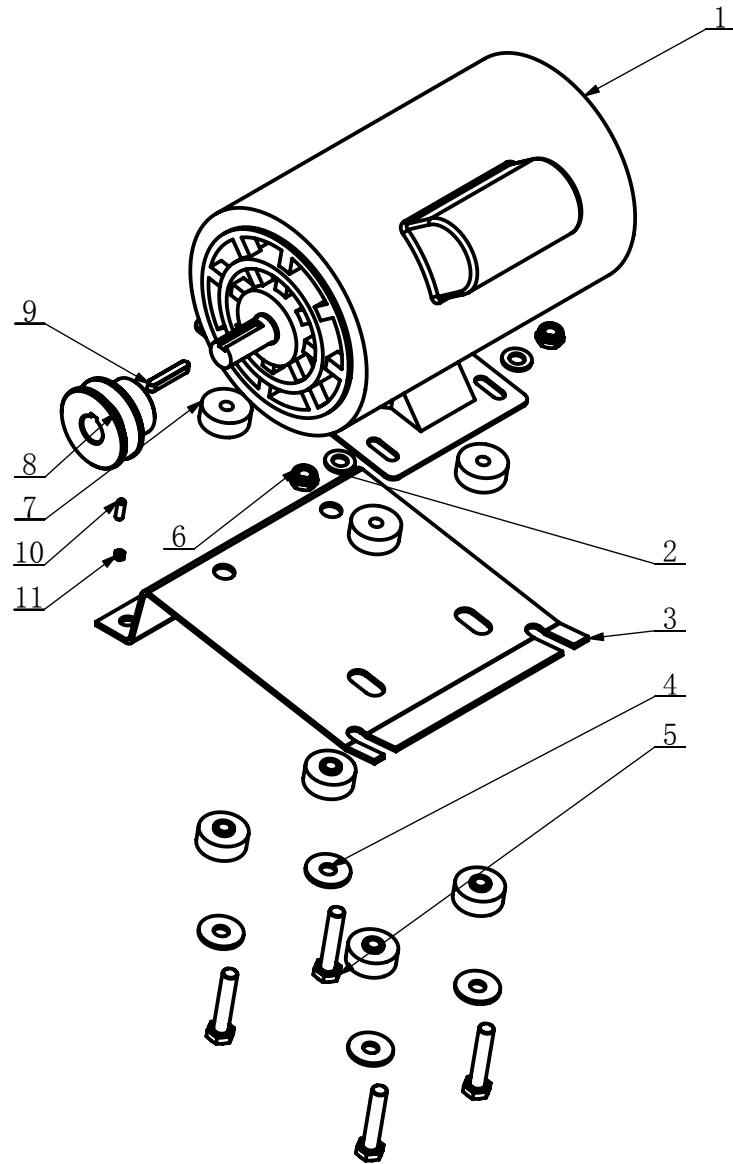
ITEM	QTY.	PART NO.	DESCRIPTION.
1	1	6000082	AIR GUIDE EXTERNAL BUSHING
2	2	5004109	INSERT FITTING R3/8" Φ12
3	2	5004056	INSERT FITTING Φ8 , R1/4 "
4	1	6000083	AIR GUIDE ROTATION BUSHING
5	2	6000084	INSERT ELBOW d10. 3/8"
6	2	5504057	INSERT FITTING Φ8 R1/8"
7	2	6000018	INSERT FITTING d10, 1/4"
8	1	5010151	O-RING 90x2. 65
9	3	5010231	O-RING 60X2. 65

6000270 TRANSMISSION-ASSY

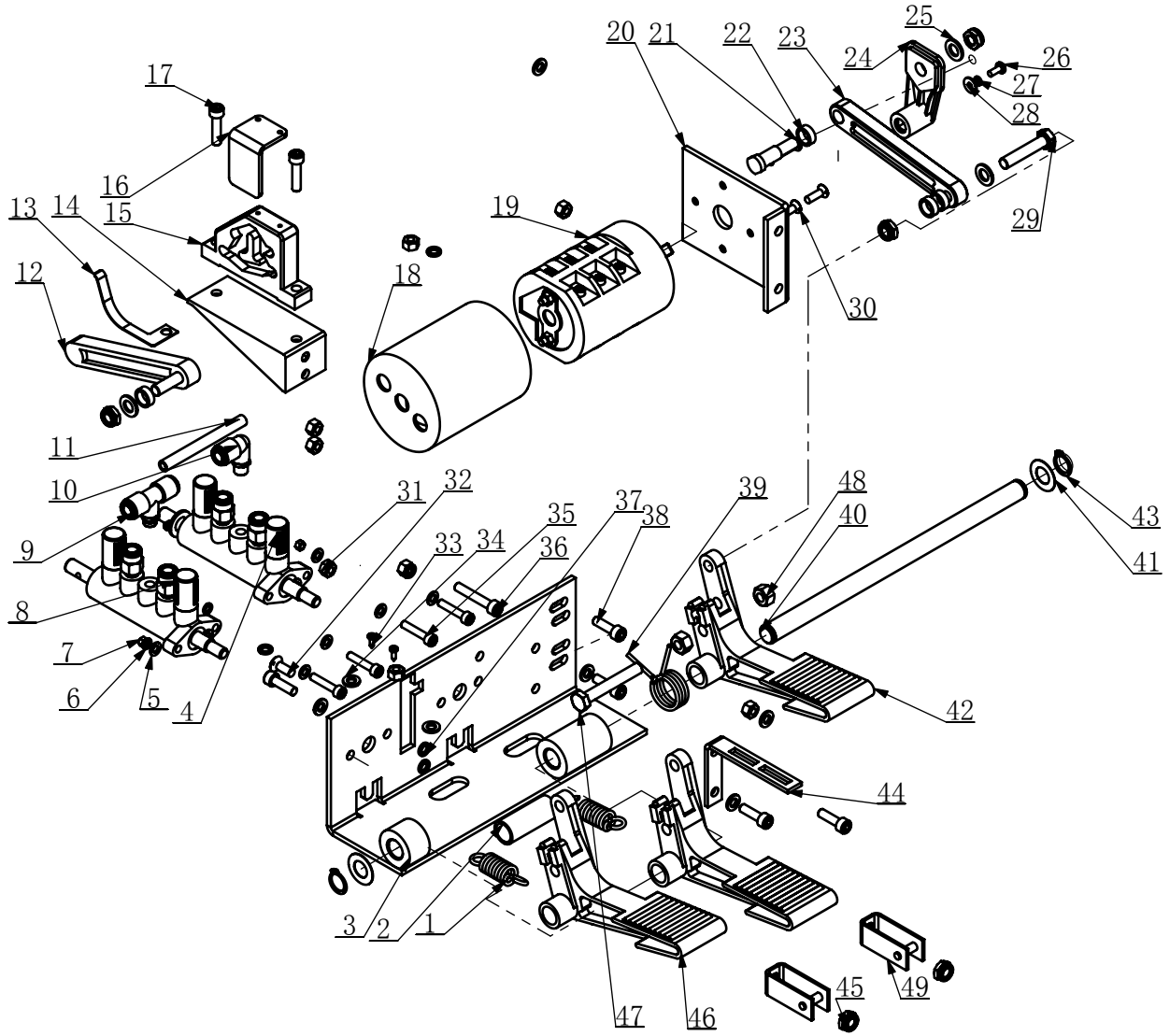
ITEM	QTY.	PART NO.	DESCRIPTION.
1	5	5004060	SCREW M8X30-N
2	10	5000055	WASHER PWNA 8
3	1	5010078	SCREW M16X16
4	1	6000353	GEARBOX TOP
5	1	6000277	WORM SHAFT
6	2	5004208	PIN 8X20
7	1	5010079	PLAIN KEY 14X56
8	1	5010002	ROLLING BEARING 6010
9	1	6000276	WORM
10	1	5010001	CIRCLIP 50
11	1	6000355	CAP 40X25X8
12	2	5000015	ROLLING BEARING 30205
13	1	6000273	WORM ROD
14	1	5010076	BEARING 6208
15	1	5010080	PLAIN KEY 6X20
16	1	5010208	SEAL
17	1	6000275	BELT PULLEY
18	1	5010081	WASHER 8
19	1	5010077	BOLT M8X20
20	1	6000356	GEARBOX BASE
21	5	5010003	TORQUE NUT M8



6000180 MOTOR ASSEMBLY

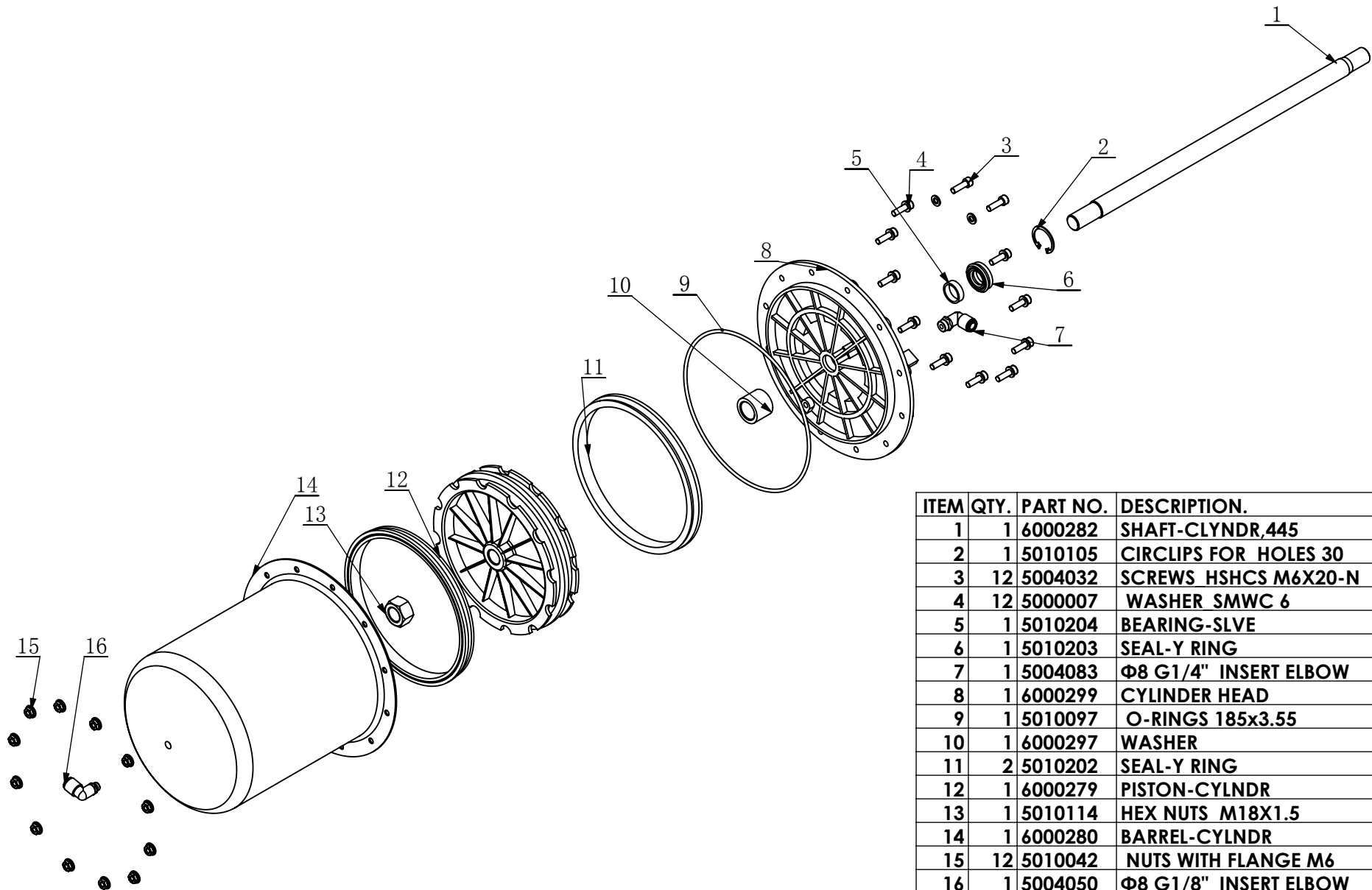


ITEM	QTY.	PART NO.	DESCRIPTION.
1	1	6000181	MOTOR AC220V, 1.1kW, 50Hz
2	4	5004041	WASHER 10
3	1	6000182	MOTOR SUPPORT
4	4	5004005	WASHER 10
5	4	5010041	BOLT M10X50
6	4	5010043	NUT M10
7	8	6000183	RUBBER WASHER
8	1	6000184	MOTOR BELT PULLEY
9	1	5010056	PLAIN KEY 6X36
10	1	5010232	SCREW M5X16
11	1	5011008	NUT M5



ITEM	QTY.	PART NO.	DESCRIPTION.	ITEM	QTY.	PART NO.	DESCRIPTION.
1	2	6000216	SPRING	27	1	5000068	WASHER 4
2	1	6000208	SPACER	28	1	5004049	WASHER 4
3	1	6000221	PEDAL SUPPORT	29	1	5004036	BOLT M8X40
4	1	6000227	VALVE-A	30	4	5010126	SCREW M5X16
5	8	5010045	WASHER 5	31	10	5004008	NUT M6
6	4	5004045	WASHER 5	32	1	5011003	SCREW M6X16
7	5	5011008	NUT M5	33	2	5010057	SCREW ST2.9X9.5
8	1	6000222	VALVE-B	34	7	5000007	WASHER 6
9	1	6000218	INSERT TEE, 8MM, R1/8	35	4	5004063	SCREW M5X25-N
10	1	6000219	INSERT ELBOW D8, R1/8	36	1	5004031	SCREW M6X35
11	1	5010049	HOSE 8-5MM	37	8	5010058	WASHER 6
12	1	6000226	VALVE CONNECTING ROD	38	5	5004032	SCREW M6X20-N
13	1	6000204	FORK SPRING PLATE	39	1	6000220	TORSION SPRING
14	1	6000201	CAM BRACKET	40	1	6000207	BOTTOM SHAFT
15	1	6000211	CAM	41	2	6000228	WASHER-12x0.5
16	1	6000217	CAM PLATE	42	1	6000391	PEDAL
17	2	5006006	SCREW M6X25	43	2	5010053	CIRCLIP 14
18	1	6000215	SWITCH COVER	44	1	6000203	TORSION SPRING BRACKET
19	1	5010055	SWITCH	45	5	5010003	NUT M8
20	1	6000213	SWITCH SUPPORT	46	2	6000214	PEDAL
21	1	6000209	ROTATION SHAFT	47	1	5011005	BOLT M8X55
22	4	6000205	SPACER	48	2	5002060	NUT M8
23	1	6000210	CONNECTION ROD	49	2	6000398	BRACKET
24	1	6000212	REVERSE LEVER				
25	4	5000018	WASHER 8				
26	1	5008030	SCREWS M4x10				

6000016 BEAD BREAKING CYLINDER ASSEMBLY

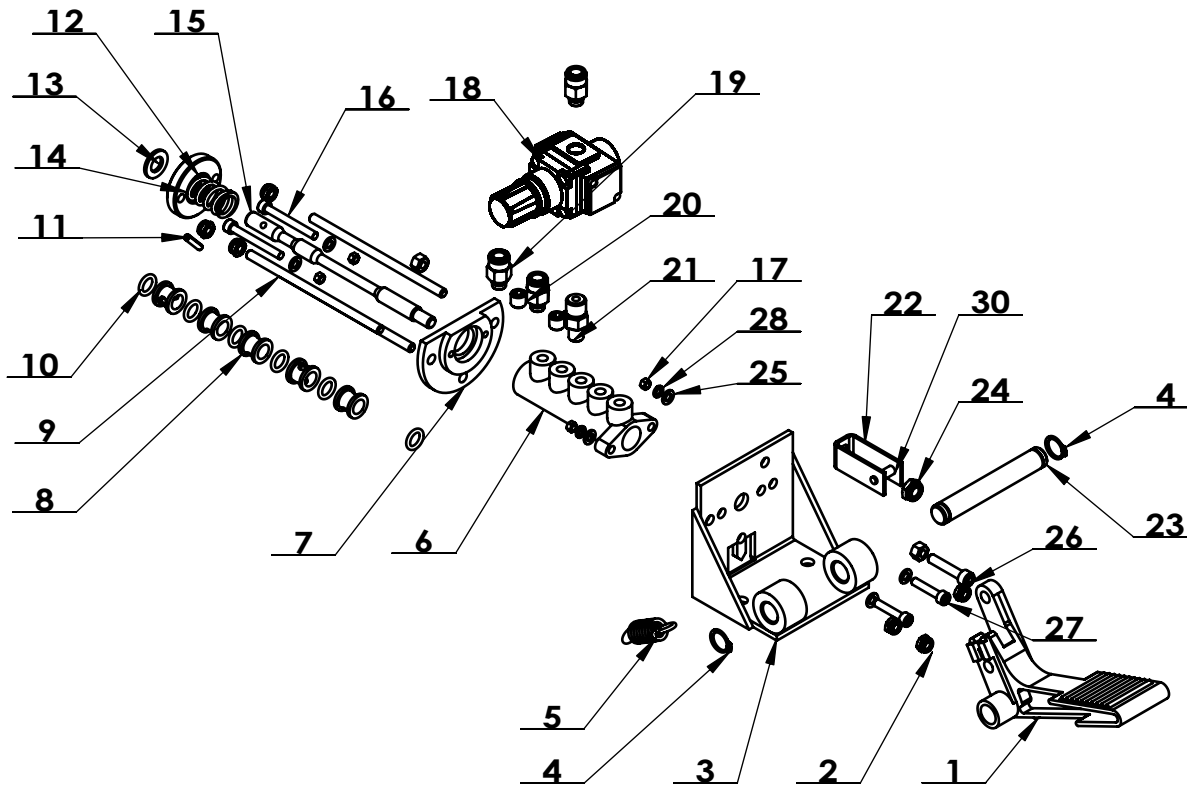


ITEM	QTY.	PART NO.	DESCRIPTION.
1	1	6000282	SHAFT-CLYNDR,445
2	1	5010105	CIRCLIPS FOR HOLES 30
3	12	5004032	SCREWS HSHCS M6X20-N
4	12	5000007	WASHER SMWC 6
5	1	5010204	BEARING-SLVE
6	1	5010203	SEAL-Y RING
7	1	5004083	Φ8 G1/4" INSERT ELBOW
8	1	6000299	CYLINDER HEAD
9	1	5010097	O-RINGS 185x3.55
10	1	6000297	WASHER
11	2	5010202	SEAL-Y RING
12	1	6000279	PISTON-CYLNDR
13	1	5010114	HEX NUTS M18X1.5
14	1	6000280	BARREL-CYLNDR
15	12	5010042	NUTS WITH FLANGE M6
16	1	5004050	Φ8 G1/8" INSERT ELBOW

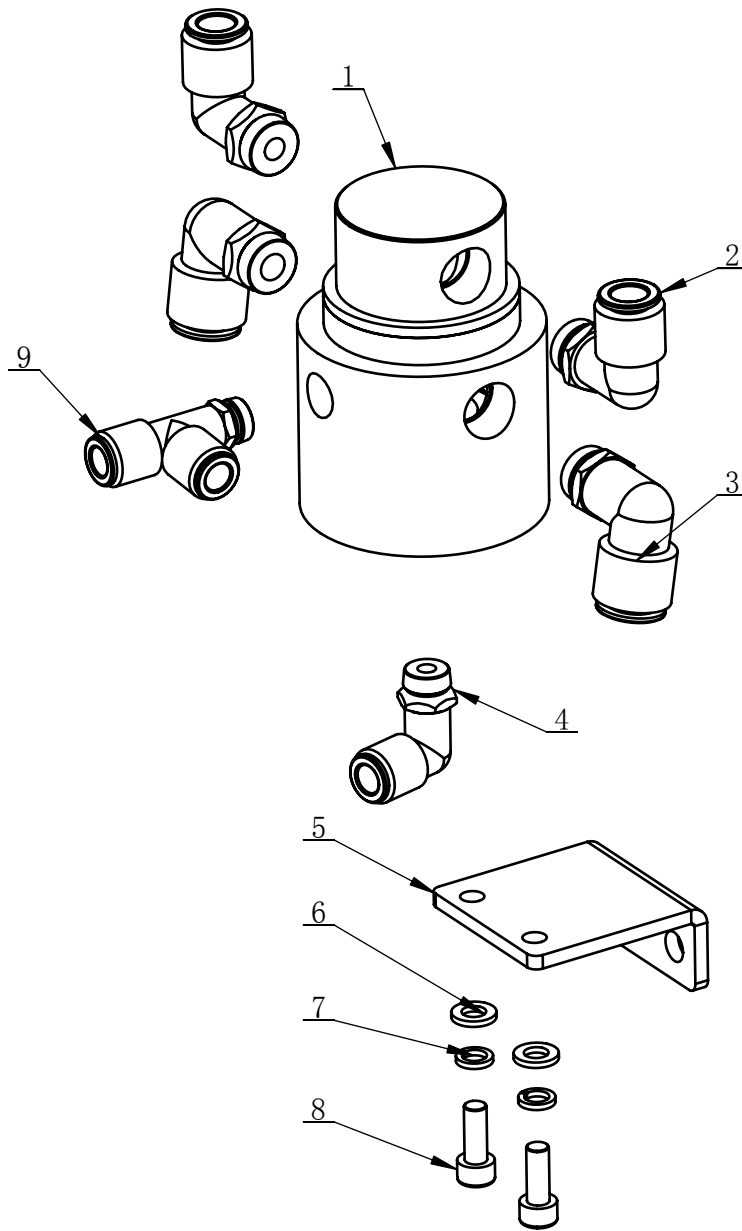
T-K.01.00

6000285 RAPID INFLATION CHASSIS ASSEMBLY

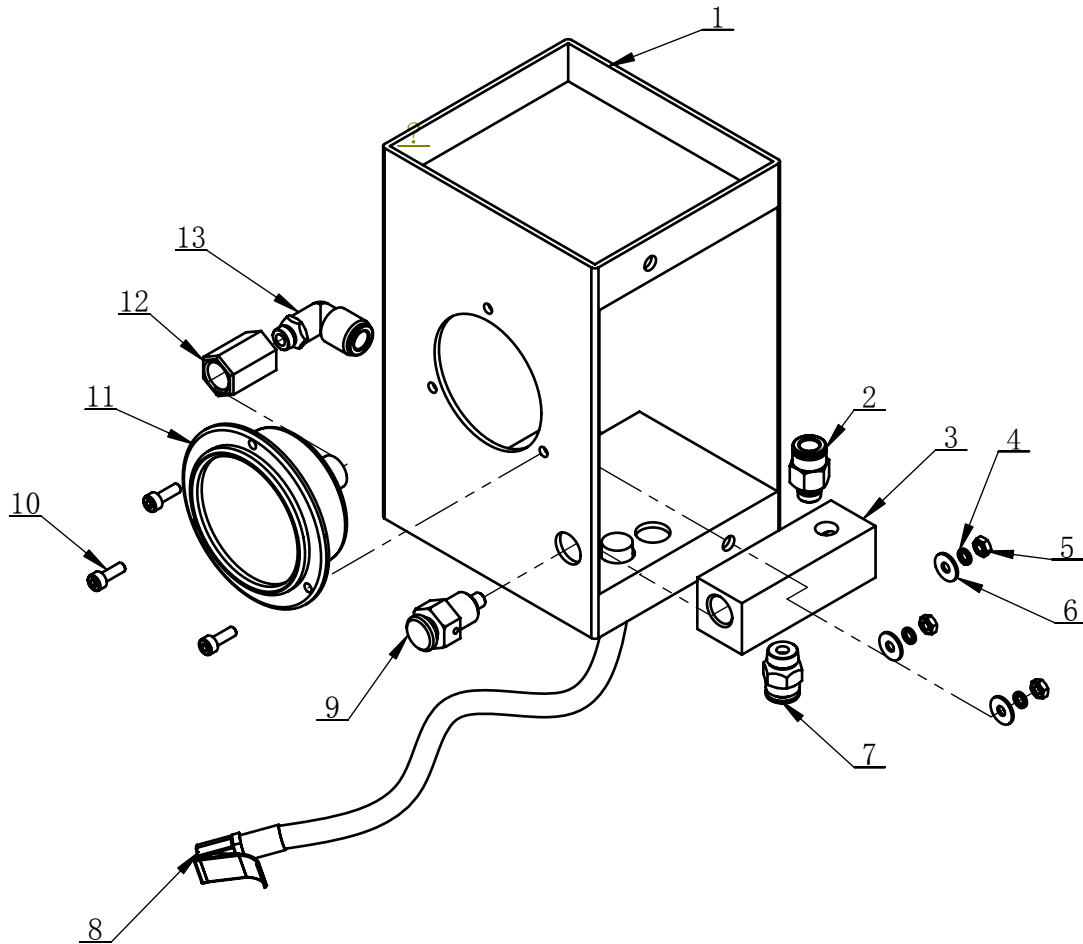
REVISION A-06



ITEM	QTY.	PART NO.	DESCRIPTION.
1	1	6000293	PEDAL
2	6	5010213	TORQUE NUT M6
3	1	6000295	BRACKET-VLVE, SWITCH
4	2	5010053	CIRCLIP 14
5	1	6000216	EXT. SPRING, PEDAL
6	1	6000224	VALVE-3
7	1	6000286	TRAY
8	5	6000292	SPACER
9	3	6000287	BOLT
10	6	5010225	O-RINGS 9.5X4
11	1	5010075	SPRING PINS 4X20
12	1	6000291	SPRING
13	1	5004037	WASHER SMWC 10
14	1	6000289	TOP
15	1	6000288	VALVE AXIS
16	2	5004062	SCREW M5X45
17	4	5011008	NUT M5
18	1	5010076	PRESSURE REDUCING VALVE
19	3	5504057	INSERT FITTING $\Phi 8$ R1/8"
20	2	5004097	SCREWS PLUG R1/8"x10
21	1	6000290	FITTING
22	1	6000202	CONNECT ROD SUPPORT
23	1	6000294	SHAFT
24	1	5010003	TORQUE NUT M8
25	6	5010045	WASHER 5
26	1	5004061	SCREW M6X30-N
27	2	5004063	SCREW M5X25-N
28	2	5004045	WASHER 5
29	2	5004008	NUT M6
30	1	6000206	PIN SHAFT



ITEM	QTY.	PART NO.	DESCRIPTION.
1	1	6000330	VALVE ASSEMBLY
2	2	5004205	FITTING $\Phi 12$ R3/8"
3	2	5004206	FITTING $\Phi 12$ R3/8"
4	1	5004083	INSERT ELBOW $\Phi 8$, R1/4"
5	1	6002005	VALVE BASE SUPPORTING BRACKET
6	2	5000007	WASHER 6
7	2	5010058	WASHER 6
8	2	5010074	SCREW M6X16-N
9	1	5004207	FITTING $\Phi 8$, R1/8"



ITEM	QTY	partno&description
1	1	6002007 Pressure Gauge Cover
2	1	50054057 08-U01
3	1	6002010 Exhaust Valve Body
4	3	5000068 Spring lock washers- 4
5	3	5000063 Hex nuts- M4-N
6	3	5004049 WASHER PWLAC 4
7	1	5004056 08-U02
8	1	5004202 Inflating hose
9	1	6002009 Exhaust Valve Assembly
10	3	5010083 SCREWS M4X12
11	1	5004203 Pressure Gauge
12	1	6002013 Pressure Gauge Connect Nut
13	1	5004050 MALE ELBOW D8,G1/8