

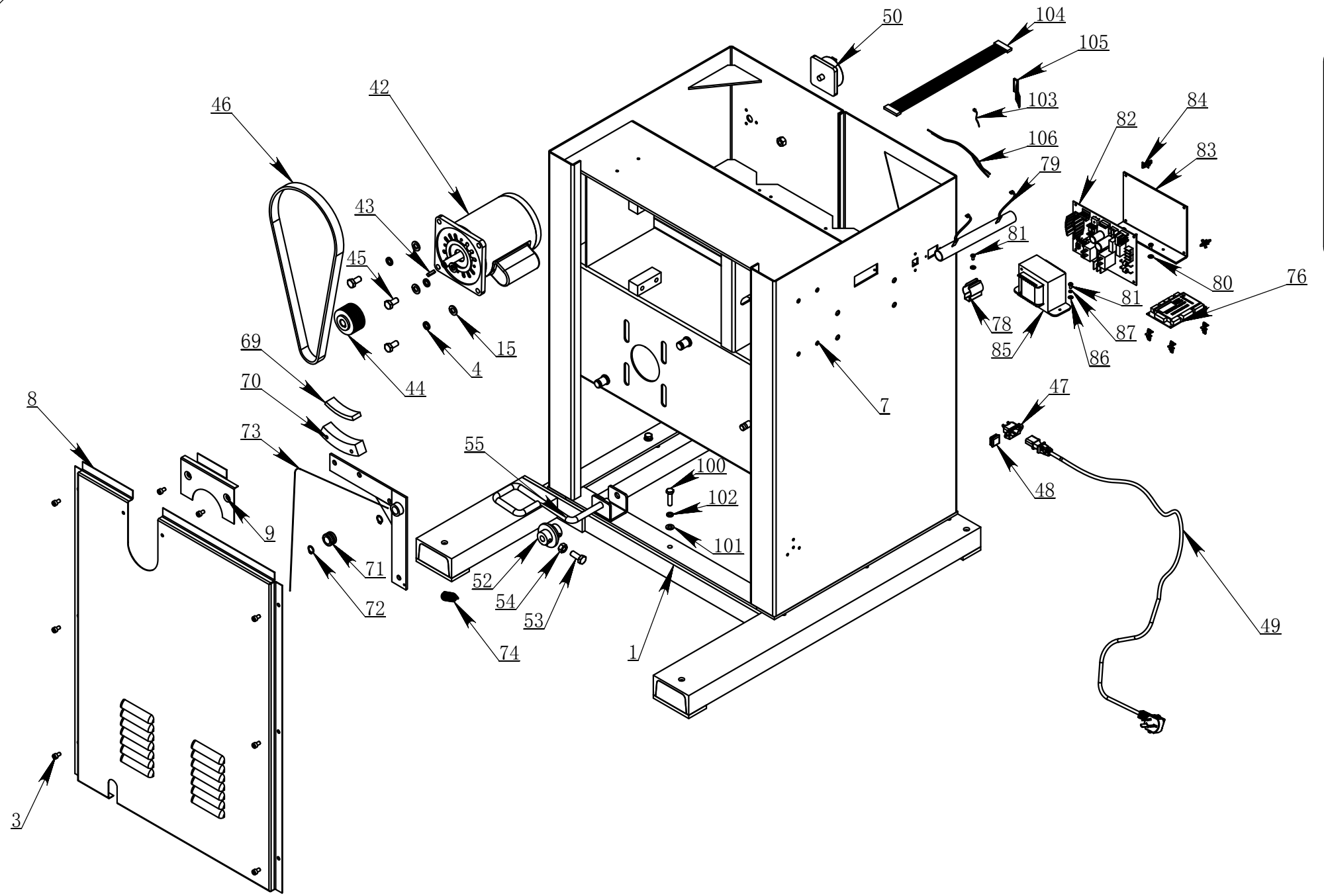
---

# **Wheel Balancer Exploded Drawing**

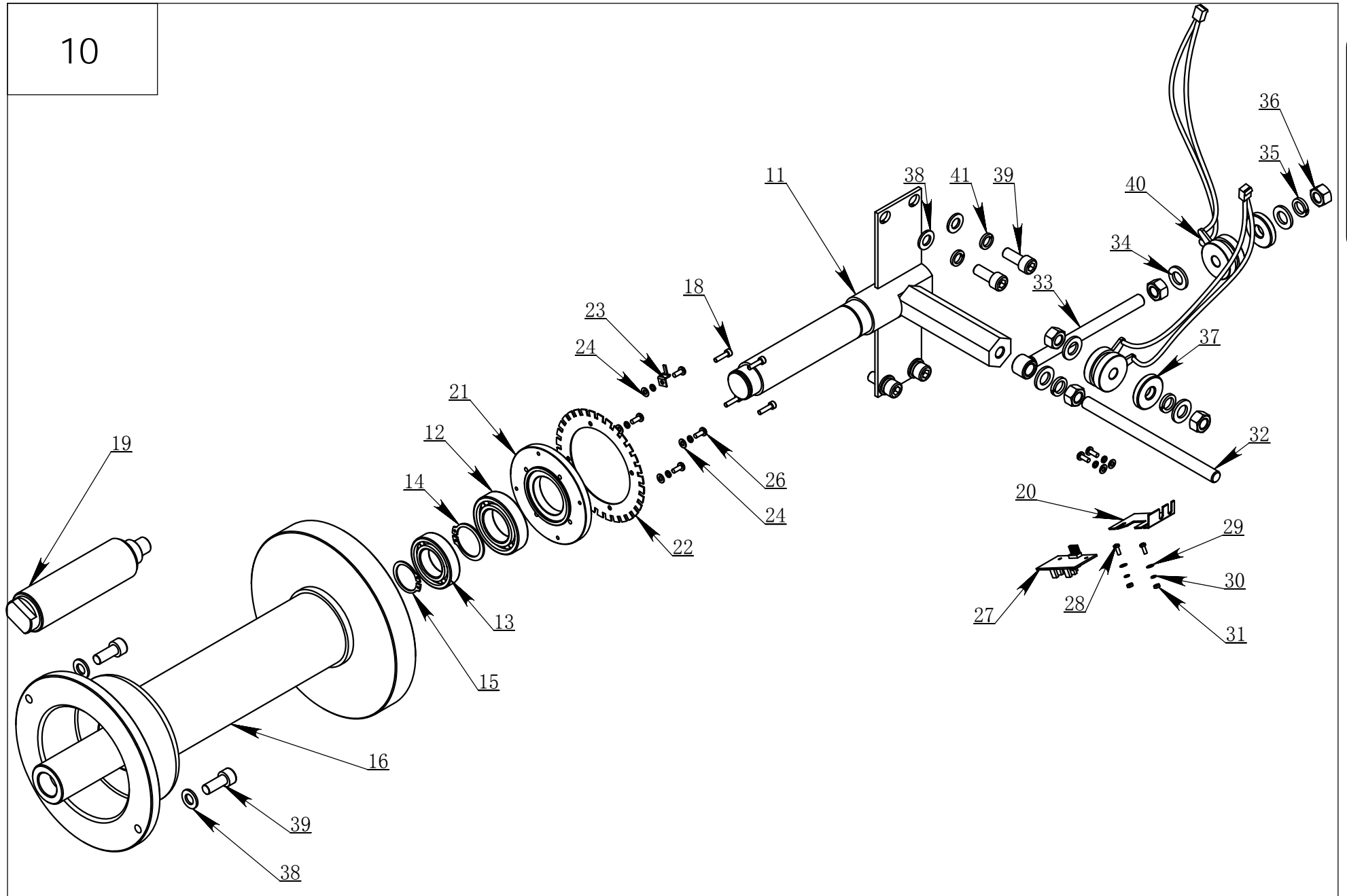
## **CB460X-B**

Version: QI/GM.CB460X-B-2009-01

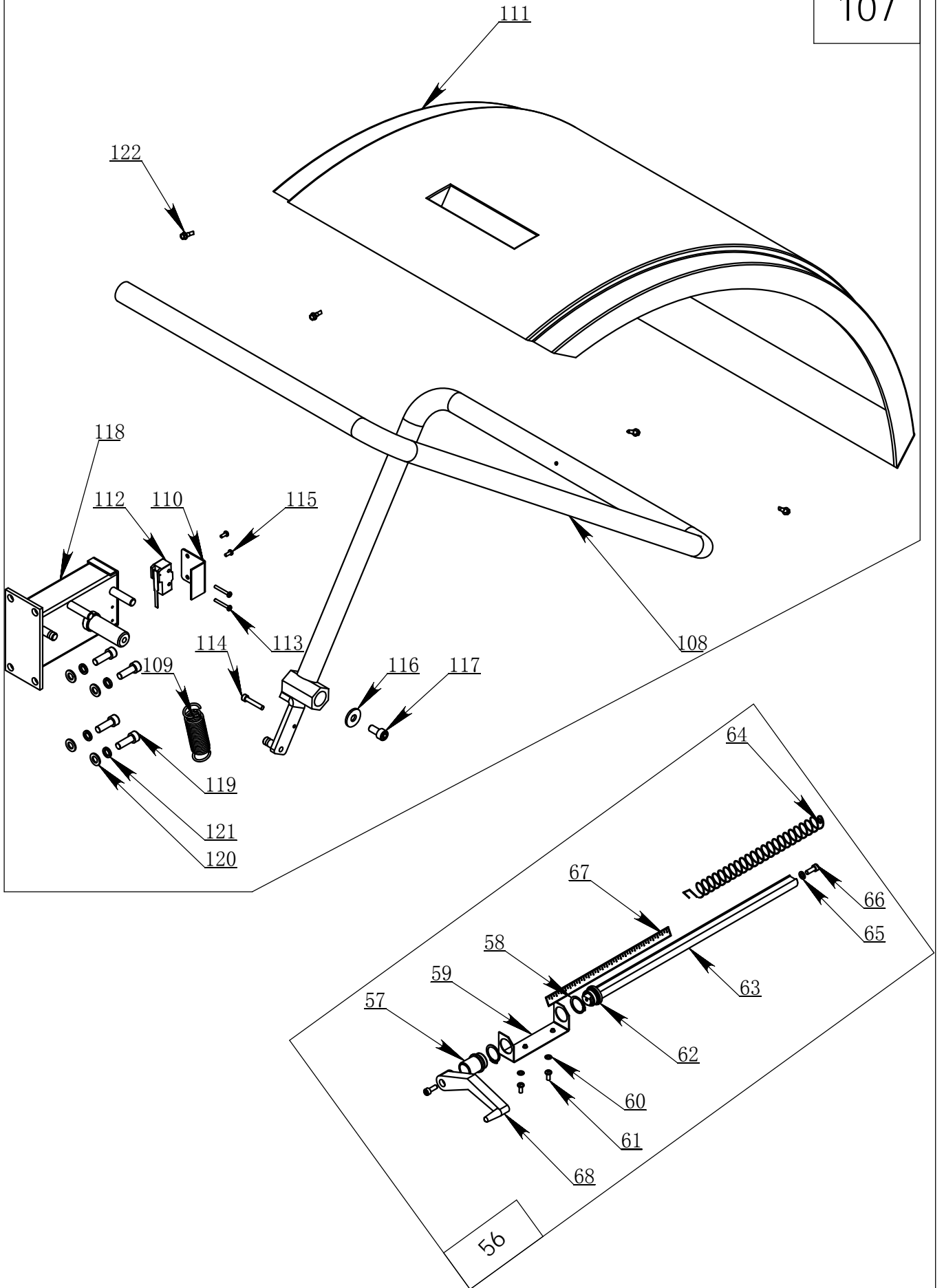
**Date: August 31.2009**



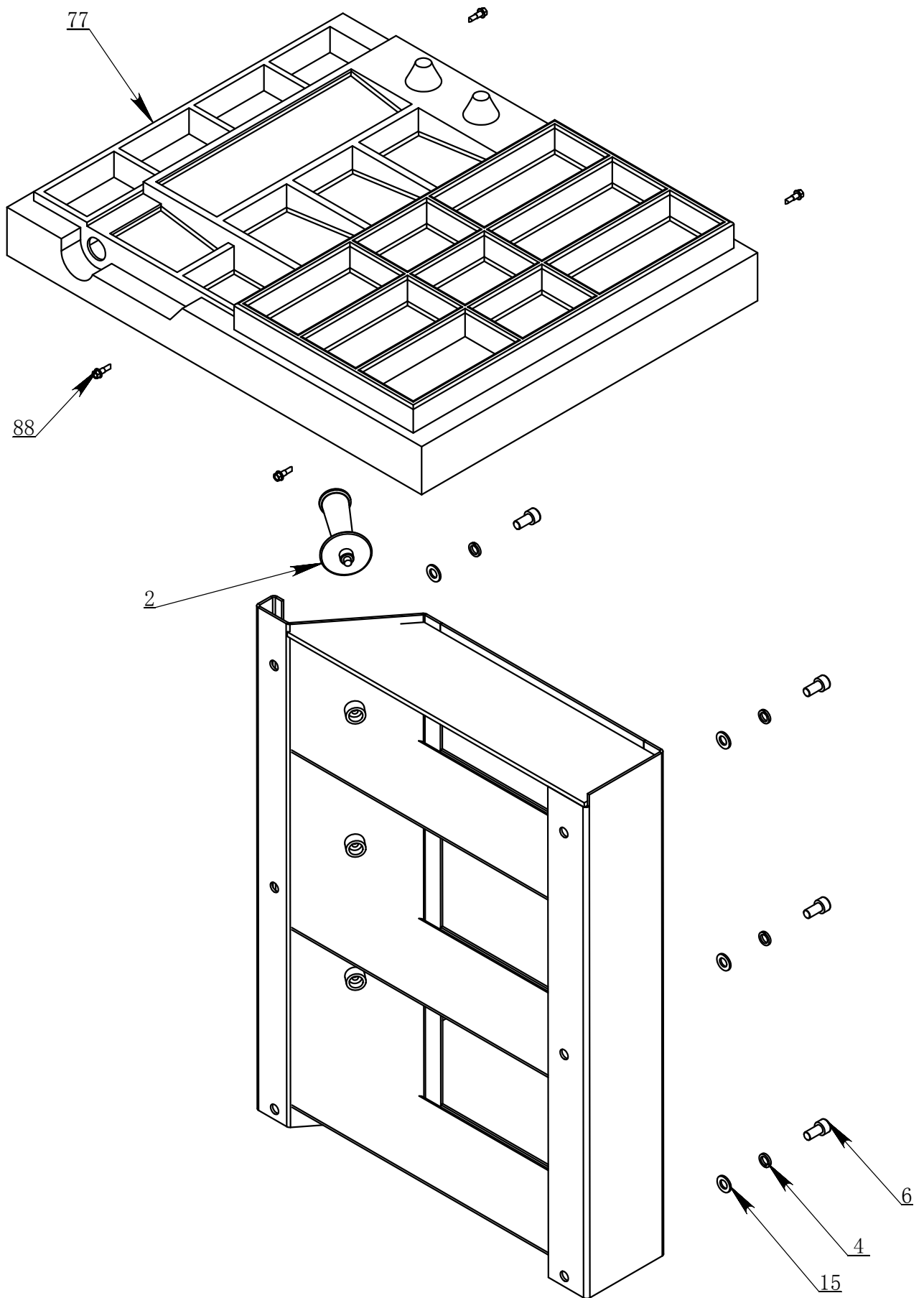
10

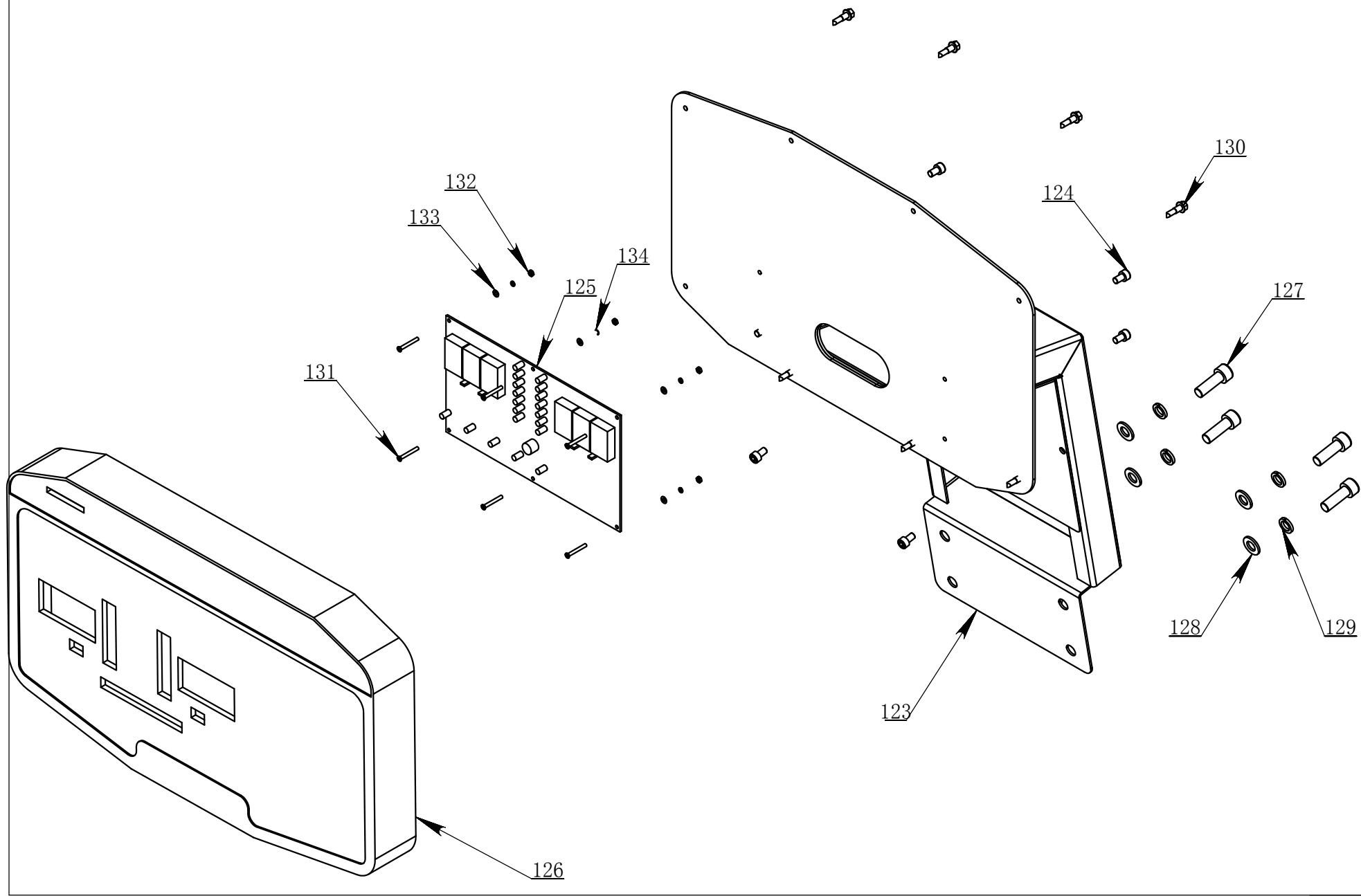


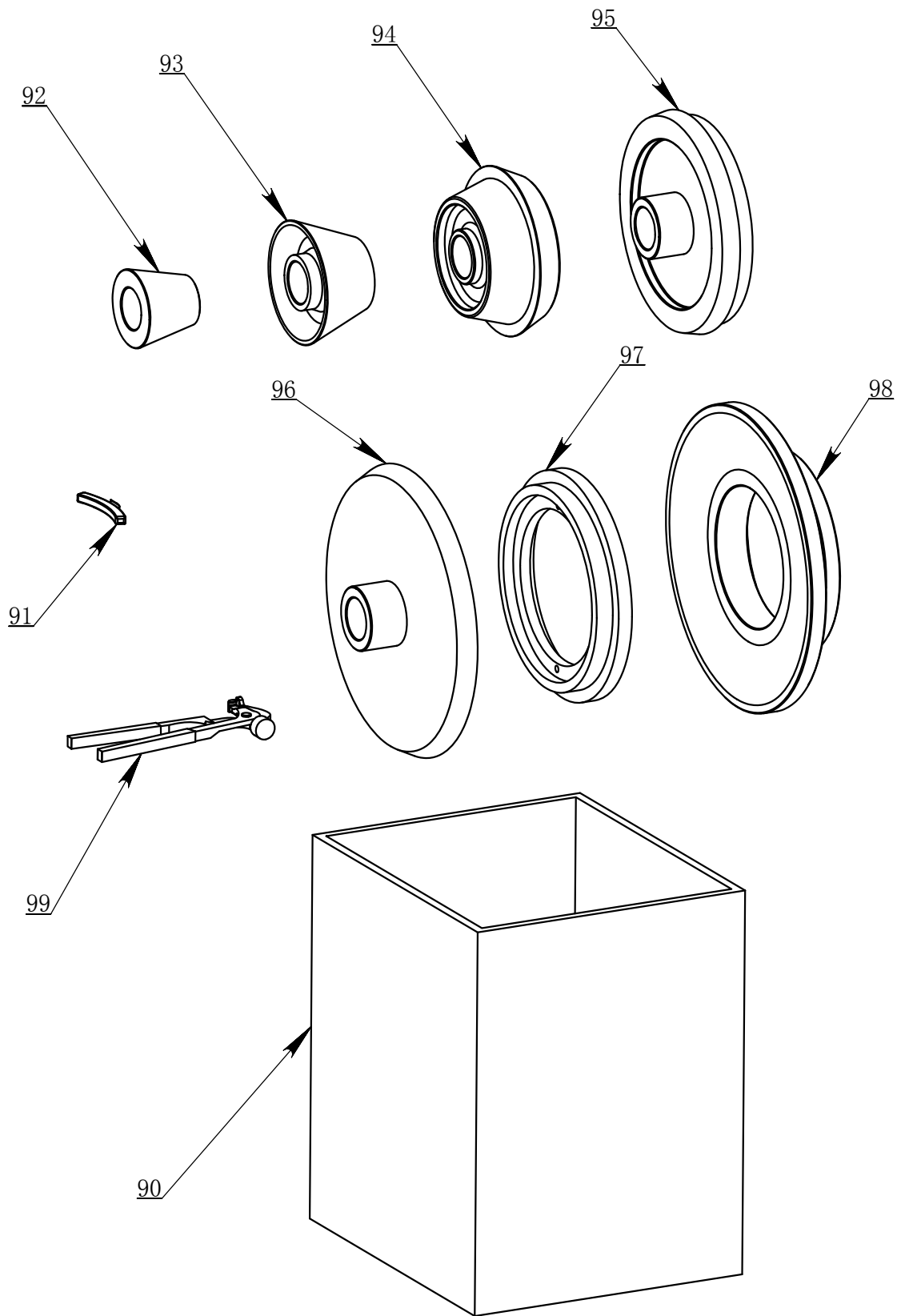
CB460X-B.00.00



CB460X-B.00.00







## CB460X-B ASSEMBLY LIST

ITE	PART №	DESCRIPTION.	QTY
1	6008616	BODY ASSEMBLY WELDING	1
2	5508006	HANDLE	3
3	5000193	HEXAGONAL SOCKET HEAD SCREW	8
4	5010006	WASHER 10	10
5	5004221	WASHER 10	10
6	5006008	SCREWS M10X20-N	6
7	5010004	NUT M10	4
8	6008622	SIDE SEALING PANEL	1
9	6008622	RETAINING PLATE	1
10	6000367	BALANCING SHAFT ASSEMBLY	1
11	6000370	AXES	1
12	5010234	BEARINGS GB276-6007	1
13	5008028	BALL BEARING 6006	1
14	6008801	RINGS CSB 35	1
15	5002023	RINGS CSB 33	1
16	6000368	SHAFT MODULE	1
17	5010084	SET SCREWS M6X12	2
18	5010218	SCREW M4X16-N	4
19	6000369	THREAD SHAFT	1
20	6008525	PHOTOELECTRIC CELL PLATE	1
21	6000371	FLANGE	1
22	6008531	PHOTOELECTRIC SET	1
23	6008524	PHOTOELECTRIC TOOTH	1
24	5010040	WASHER 4	6
25	5000068	WASHER 4	6
26	5000010	SCREW M4X10	6
27	5509012	PHOTO ELECTRICITY SENSER	1
28	5000078	SCREW M3×8	2
29	5010214	WASHER 3	2
30	5000079	WASHER 3	2
31	5008026	NUT M3	2
32	5009013	SCREW THREAD COLUMN	1
33	6008822	ADJUSTER SCREW	1
34	5010020	WASHER 12	5
35	5010025	WASHER 12	3
36	5009014	NUT 12	5
37	6008821	PRESS WASHER	2
38	5004221	WASHER 10	6
39	5010064	SCREW M10X25	6
40	5508040	SENSOR	2
41	5010006	WASHER 10	4
42	5508001	MOTOR	1
43	5008100	PIECE KEYS 5X20	1
44	6000397	MOTOR PULLEY	1
45	5008041	BOLT M10X20	4
46	5508203	POLT	1
47	6002111	POWER CABLE SOCKET	1
48	5502046	STOP-UP	1
49	6002112	POWER CABLE	1



50	5508091	TWIST SWITCH	1
51	6008628	PULLING PLATE	1
52	6008626	ROLLING ROPE WHEEL	1
53	5004043	BOLT M10X25-N	1
54	5004039	NUT M20X1.5-N	1
55	6008625	PEDAL	1
56	5009119	SCALE ASSEMBLY	1
57	5508038	HARNESS	1
58	6008801	RINGS	2
59	6008523	SCALE SEAT	1
60	5010045	WASHER 5	2
61	5006007	SCREW M5X12	2
62	5508037	HARNESS	1
63	6008825	SCALE ROD	1
64	5508035	SPRING	1
65	5000007	WASHER 6	1
66	5009015	SCREW M6X16	2
67	5509100	RULER	1
68	5508036	SCALE HANDLE	1
69	5508204	BRAKE PLATE	1
70	6008629	CIRCULAR BLOCK	1
71	6008627	ROPE GUIDING	1
72	5010200	RINGS	2
73	5508204	BRAKE THEAD	1
74	5508205	SPRING	1
75	6008855	COMPUTER MAINBOARD	1
76	5508003	PLASTIC CLIPPER	4
77	6008701	WEIGHT TRAY	1
78	5508029	RESISTANCE CLAMP	1
79	5508004	UNIVERSAL	1
80	5000211	WASHER 4	3
81	5008002	Screws M4×8	5
82	5508200	POWER BOARD	1
83	6008620	ELECTRIC APPLIANCE FIXING PLATE	1
84	5508003	PLASTIC CLIPPER	4
85	5500128	TRANSFORMER	1
86	5010040	WASHER 4	2
87	5000068	WASHER 4	2
88	5008010	SCREW-ST5.5X19	4
89	6002116	ACCESSORY BOX ASSEMBLY	1
90	5009118	ACCESSORY	1
91	5508024	WEIGHT(100g)	1
92	6000372	CONE E	1
93	6000373	CONE D	1
94	6000374	CONE A	1
95	6000376	CONE B	1
96	6000375	CONE C	1
97	6000378	FLANGE	1
98	6000377	BIG FLANGE	1
99	5508068	BALANCE HAMMAR	1
100	5000030	BOLT M8X30	5
101	5000190	WASHER	5

102	5000192	WASHER STANDARD SPRING	5
103	5508107	CB970	1
104	5509058	DISPLAY PANEL	1
105	5509056	MAIN BOARD	1
106	5508060	SWITCH	1
107	6009998	PROTECTIVE COVER	1
108	6008569	CONNECTING	1
109	5508058	PROTECTIVE HOOD	1
110	6008586	PROTECTIVE PLATE	1
111	5508048	CRESCENT	1
112	5010212	STPOKE SWITCH	1
113	5000031	SCREW M4X30-N	2
114	5004031	SCREW M6X35	1
115	5000010	SCREW M4X10	2
116	5008001	NON-STANDARD PLAIN WASHER	1
117	5006008	SCREWS M10X20-N	1
118	6008706	PROTECTIVE HOOD	1
119	5000096	SCREW	4
120	5004221	WASHER 10	4
121	5010006	WASHER 10	4
122	5008010	SCREW-ST5.5X19	4
123	6008610	COVER PLATE	1
124	5000193	HEXAGONAL SOCKET HEAD SCREW	8
125	5508202	PC BOARD	1
126	6008615	DISPLAY FILM	1
127	5000096	SCREW	4
128	5004221	WASHER 10	4
129	5010006	WASHER 10	4
130	5008010	SCREW-ST5.5X19	8
131	5008032	SCREW M3X25	6
132	5008026	NUT M3	6
133	5010214	WASHER 3	6
134	5000079	WASHER 3	6