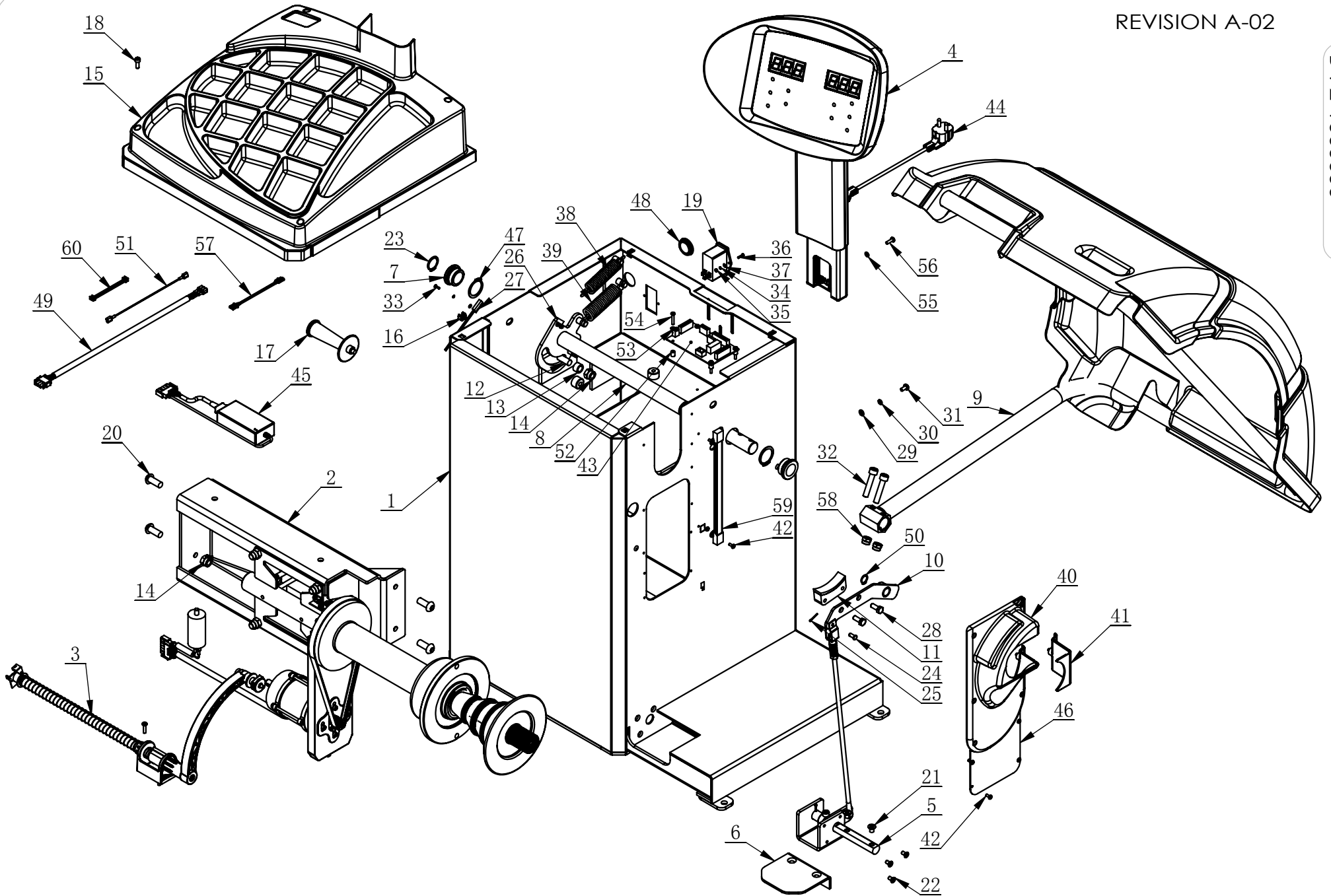


ITEM	PART NO.	Description.	QTY.
1	B-72-1000000	WHEEL BALANCERS CB67	1
2	B-73-9000100	PACKAGE	1
3	C-70-9000003	FILM WASHER	3
4	GB96. 2-8	LARGE WASHER C GRADE	3
5	GB16824. 1-ST8×50 C	HEXA FLANGE TAPPING SCREW	3
6	TB-S-0500000	ACCESSORY BOM	1

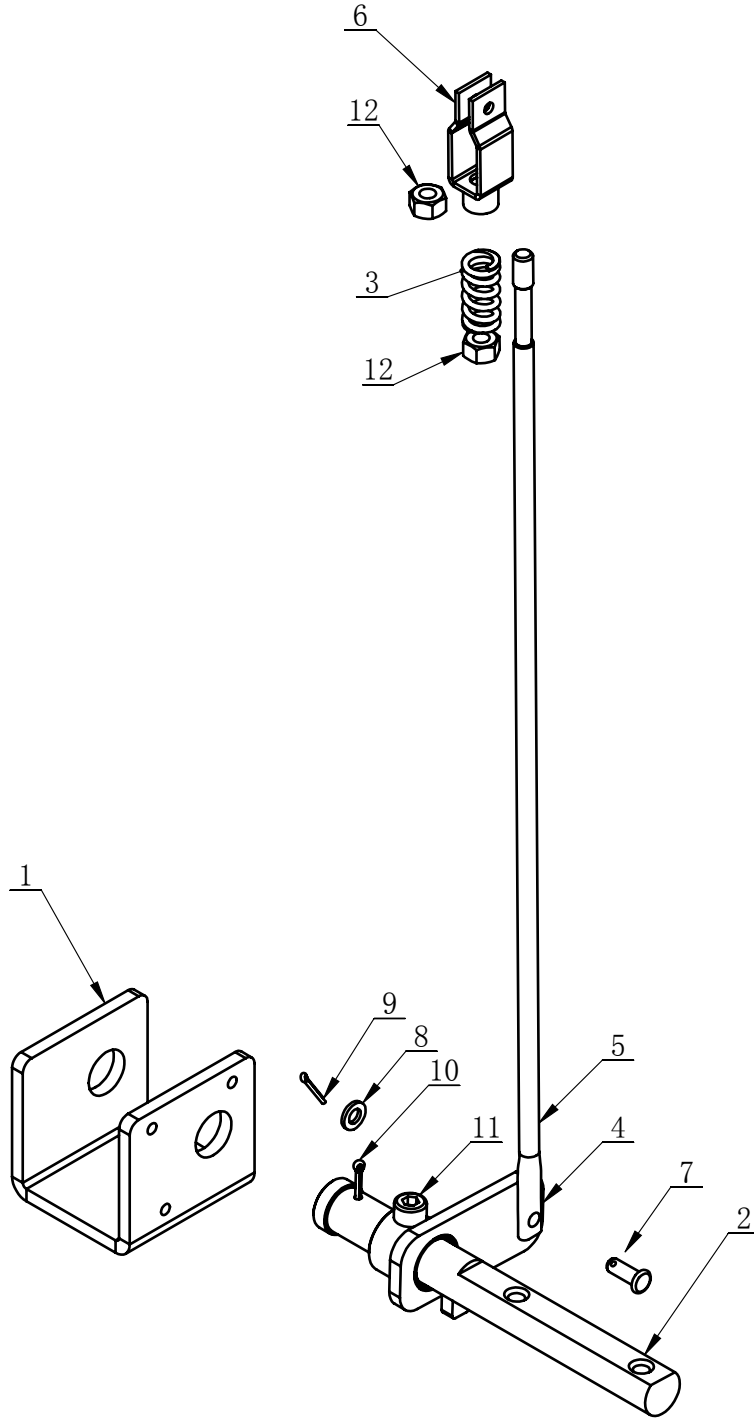
REVISION A-02

B-72-100000

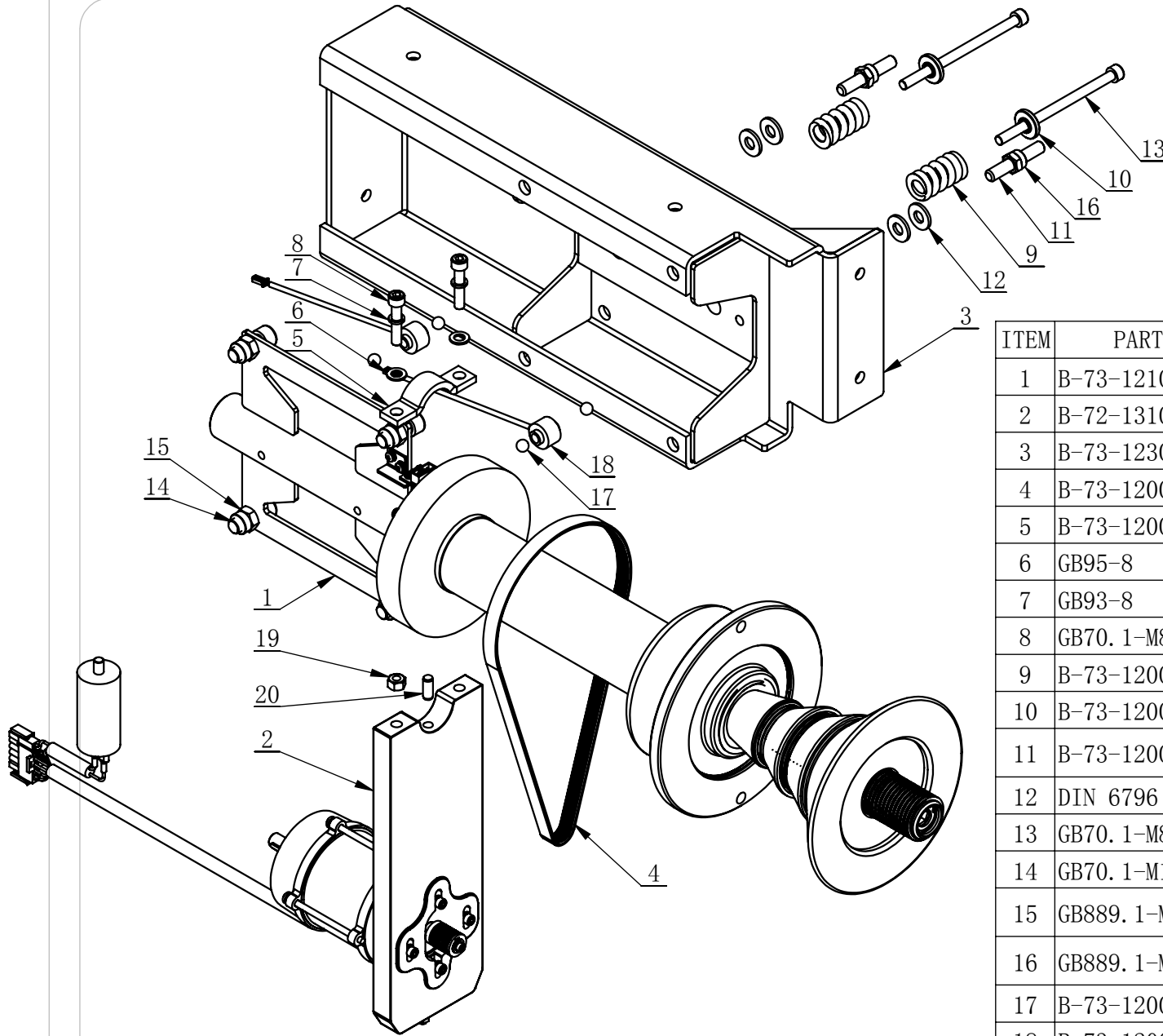


B-72-1000000

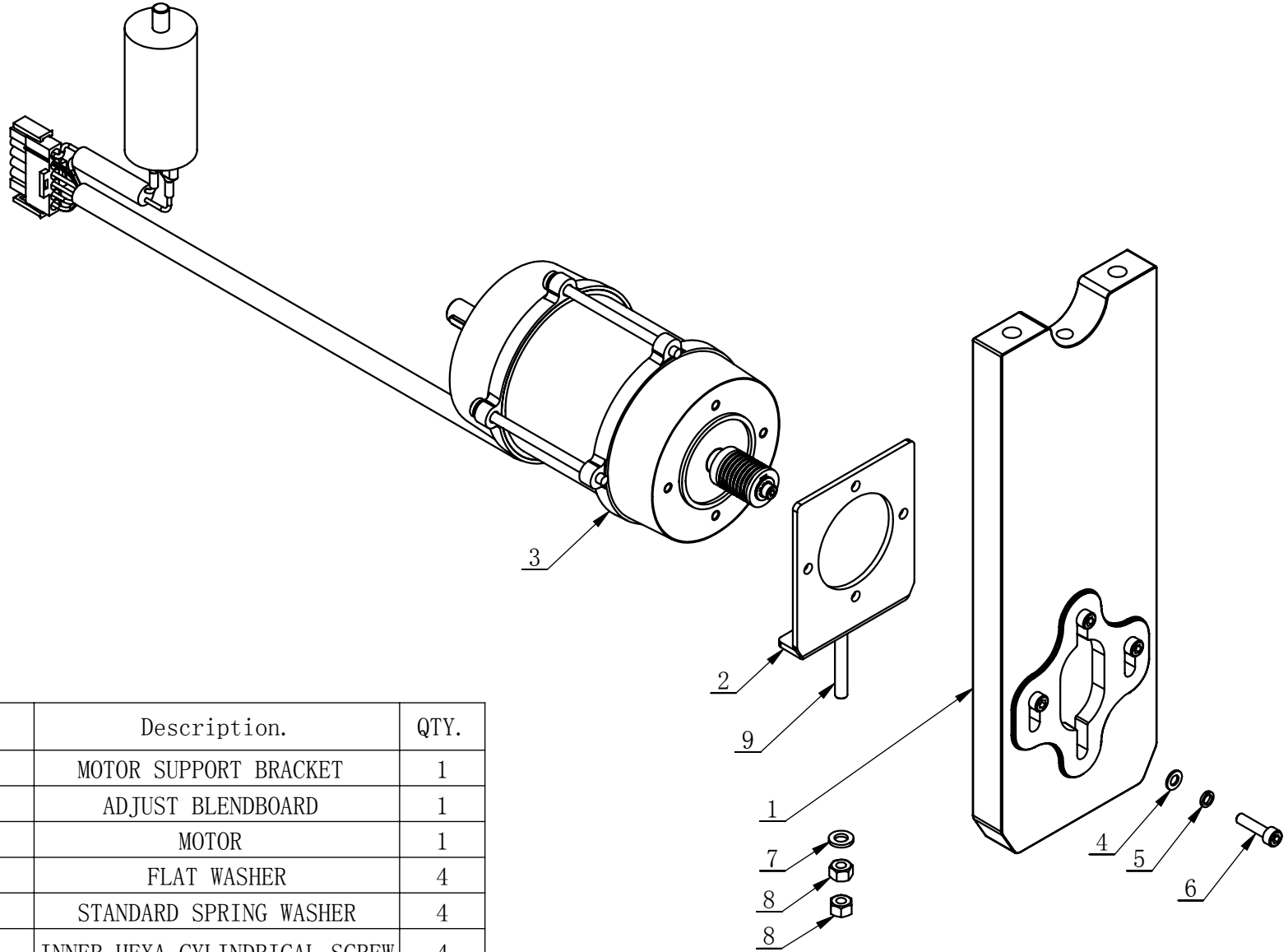
ITEM	PART NO.	Description.	QTY.
1	B-72-1100000	BODY WELDING ASSEMBLY	1
2	B-72-1300000	BALANCER SHAFT ASSEMBLY	1
3	B-73-1300000	AUTOMATIC MEASUREMENT SCALE ASSEMBLY FOR A, D VALUE	1
4	B-73-1400000	DISPLAY COVER ASSEMBLY	1
5	B-72-1200000	BRAKE ASSEMBLY	1
6	B-72-1200004	PEDAL	1
7	B-73-1000009	SUPPORT BUSHING	2
8	B-73-1510000	PROTECTIVE COVER ROTATION SHAFT WELD	1
9	B-73-1520000	PROTECTIVE COVER ASSEMBLY	1
10	B-72-1001000	CONNECT BOARD WELD	1
11	B-72-1002000	CIRCULAR BLOCK	1
12	GB70.2-M12×40	INNER HEXA CYLINDRICAL ROUND HEAD SCREW	1
13	CT-Y-0100003	SPACER	1
14	GB889.1-M12	1-TYPE PREVAILING TORQUE TYPE HEXAGON LOCK NUT	5
15	B-73-1000001	WEIGHT TRAY	1
16	B-46-1000004	NUT	4
17	TB-S-0100009	CONE HANG HANDLE	2
18	GB70.1-M6×16	INNER HEXA CYLINDRICAL SCREW	4
19	B-73-1000005	POWER SWITCH	1
20	GB70.2-M12×30	INNER HEXA CYLINDRICAL ROUND HEAD SCREW	4
21	GB819.1-M8×12-H	CROSS COUNTERSUNK SCREW STEEL 4.8 GRADE	2
22	GB70.3-M6×12	INNER COUNTERSUNK SCREW	3
23	GB894.1-26	SHAFT ELATIC BIG RETAINING RING A-TYPE	1
24	GB882-6×14	PIN SHAFT	1
25	GB91-2×16	SLOTTED PIN	1
26	B-73-1500002	PROTECTIVE COVER SWITCH	1
27	B-73-1500001	SWITCH A	1
28	GB5781-M8×20	HEXANGULAR BOLT	2
29	GB95-6	FLAT WASHER	1
30	GB93-6	STANDARD SPRING WASHER	1
31	GB818-M6×12-H	CROSS PANHEAD SCREW	1
32	GB70.1-M10×50	INNER HEXA CYLINDRICAL SCREW	2
33	GB818-M3×10-H	CROSS PANHEAD SCREW	2
34	GB93-3	STANDARD SPRING WASHER	6
35	GB6170-M3	HEXANGULAR NUT 1-TYPE	6
36	GB819.1-M3×14-H	CROSS COUNTERSUNK SCREW STEEL 4.8 GRADE	4
37	GB95-3	FLAT WASHER	6
38	B-73-1500004	SUPPORT PIPE EXTENSION SPRING	1
39	B-73-1500003	SUPPORT PIPE EXTENSION SPRING	1
40	B-73-1000011	ORNAMENT COVER A	1
41	B-73-1000012	ORNAMENT COVER B	1
42	GB818-M4×10-H	CROSS PANHEAD SCREW	14
43	B-73-1400201	POWER BOARD	1
44	B-68-1000020	POWER CABLE	1
45	B-73-1000100	POWER SUPPLY ADAPTER ASSEMBLY	1
46	B-73-1000006	SIDE PANEL	1
47	GB894.1-35	SHAFT ELATIC BIG RETAINING RING A-TYPE	2
48	B-73-1000007	ORNAMENT STOP-UP	2
49	B-73-1000002	CIRCLIP	1
50	GB894.1-16	SHAFT ELATIC BIG RETAINING RING A-TYPE	1
51	B-73-1000010	GROUND WIRE	1
52	B-73-1400003	BASE ROD	4
53	GB95-4	FLAT WASHER	4
54	GB818-M4×25-H	CROSS PANHEAD SCREW	4
55	GB95-5	FLAT WASHER	3
56	GB818-M5×16-H	CROSS PANHEAD SCREW	3
57	B-73-1000003	WIRE	1
58	GB889.1-M10	1-TYPE PREVAILING TORQUE TYPE HEXAGON LOCK NUT	2
59	B-73-1000200	LAMP ASSEMBLY	1
60	B-73-1000008	WIRE	1



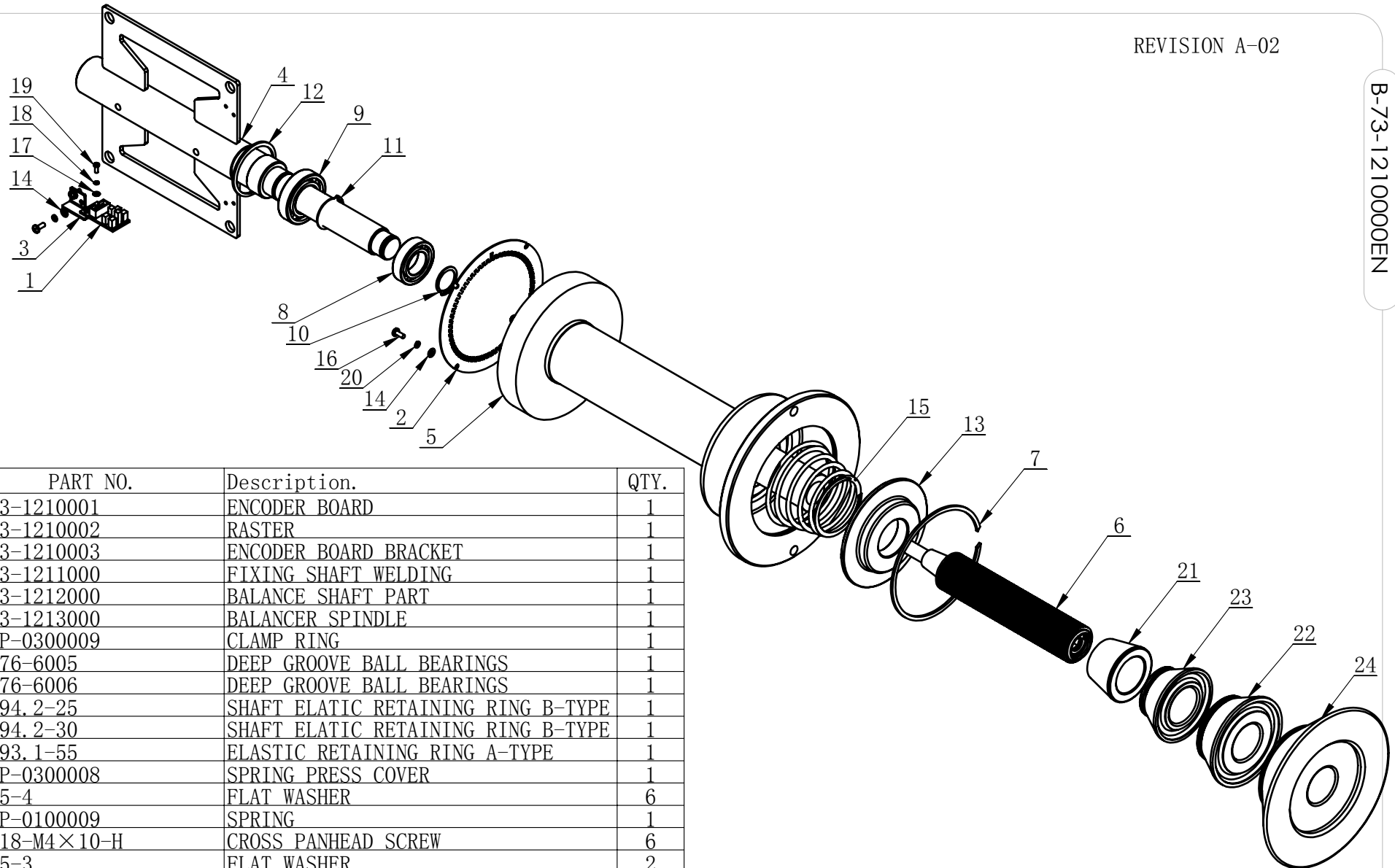
ITEM	PART NO.	Description.	QTY.
1	B-72-1200001	BRACKET	1
2	B-72-1200002	BRAKE ROTATION SPINDLE	1
3	B-72-1200003	PRESS SPRING	1
4	B-72-1210000	BRAKE ROTATION PALTE	1
5	B-72-1200005	BRAKE CONNECT ROD	1
6	B-72-1220000	BRACKET WELD	1
7	GB882-6×16	PIN SHAFT	1
8	GB95-6	FLAT WASHER	1
9	GB91-2×16	SLOTTED PIN	1
10	GB91-2.5×32	SLOTTED PIN	1
11	GB70. 1-M8×30	INNER HEXA CYLINDRICAL SCREW	1
12	GB41-M8	HEXANGULAR NUT	2



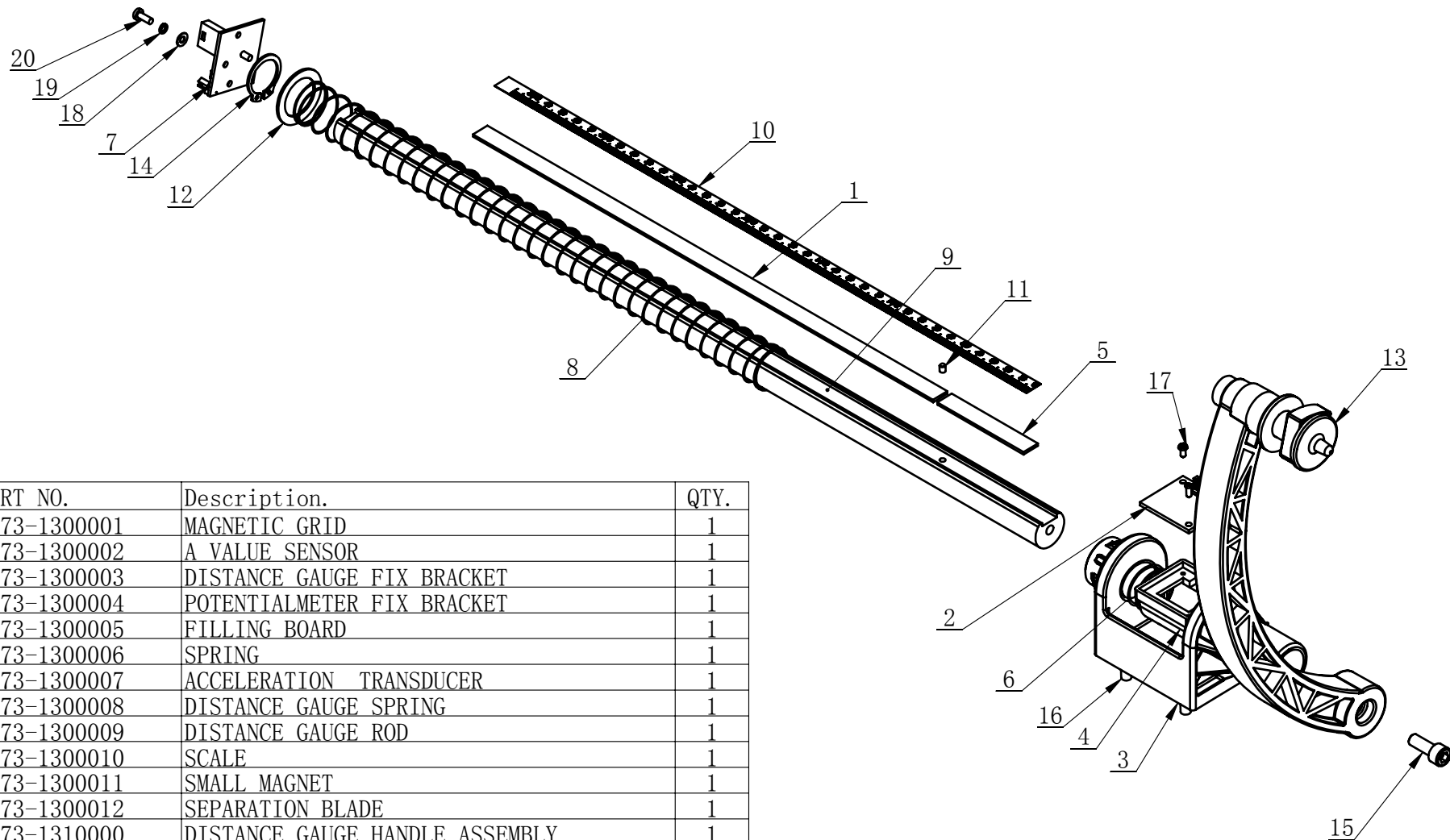
ITEM	PART NO.	Description.	QTY.
1	B-73-1210000	BALANCE SHAFT	1
2	B-72-1310000	MOTOR LIFTING ASSEMBLY	1
3	B-73-1230000	FIXED BRACKET WELD	1
4	B-73-1200001	BELT	1
5	B-73-1200002	LOCK PLATE	1
6	GB95-8	FLAT WASHER	2
7	GB93-8	STANDARD SPRING WASHER	2
8	GB70.1-M8×40	INNER HEXA CYLINDRICAL SCREW	2
9	B-73-1200007	PRESS SPRING	2
10	B-73-1200006	PRESS WASHER	2
11	B-73-1200005	INNER HEXA FLAT TERMINUS SET SCREW	2
12	DIN 6796 - 10	SPRING PIEZO WAHSER	4
13	GB70.1-M8×130	INNER HEXA CYLINDRICAL SCREW	2
14	GB70.1-M12×30	INNER HEXA CYLINDRICAL SCREW	4
15	GB889.1-M12	1-TYPE PREVAILING TORQUE TYPE HEXAGON LOCK NUT	4
16	GB889.1-M10	1-TYPE PREVAILING TORQUE TYPE HEXAGON LOCK NUT	2
17	B-73-1200004	STAINLESS BEAD	4
18	B-73-1200003	SENSOR ASSEMBLY	2
19	GB41-M8	HEXANGULAR NUT	2
20	GB119.2-8×20	CYLINDRICAL PIN	1



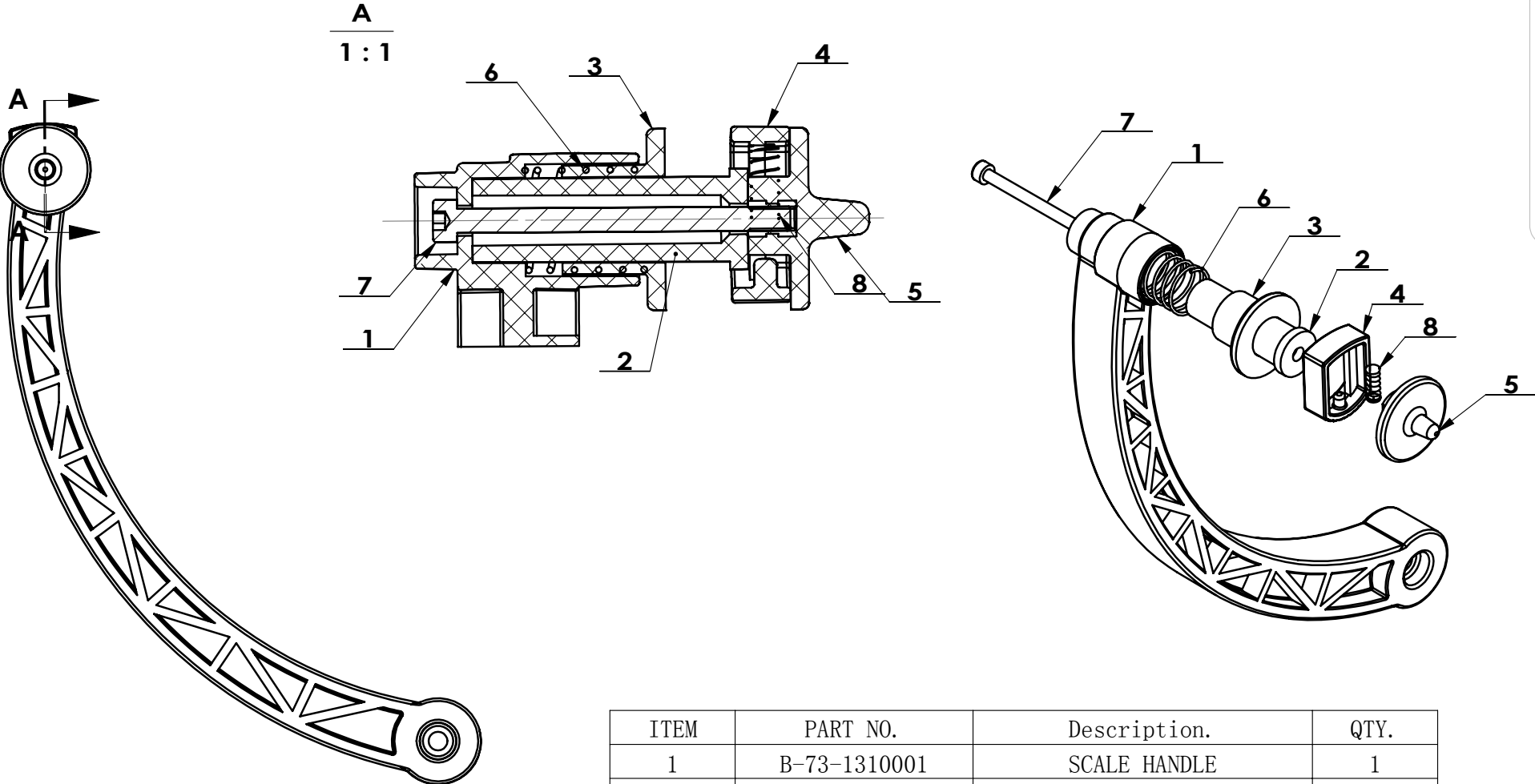
ITEM	PART NO.	Description.	QTY.
1	B-73-1220001	MOTOR SUPPORT BRACKET	1
2	B-73-1220002	ADJUST BLENDBOARD	1
3	B-73-1221200	MOTOR	1
4	GB95-5	FLAT WASHER	4
5	GB93-5	STANDARD SPRING WASHER	4
6	GB70.1-M5×20	INNER HEXA CYLINDRICAL SCREW	4
7	GB95-6	FLAT WASHER	1
8	GB41-M6	HEXANGULAR NUT	2
9	GB5781-M6×45	HEXANGULAR BOLT	1



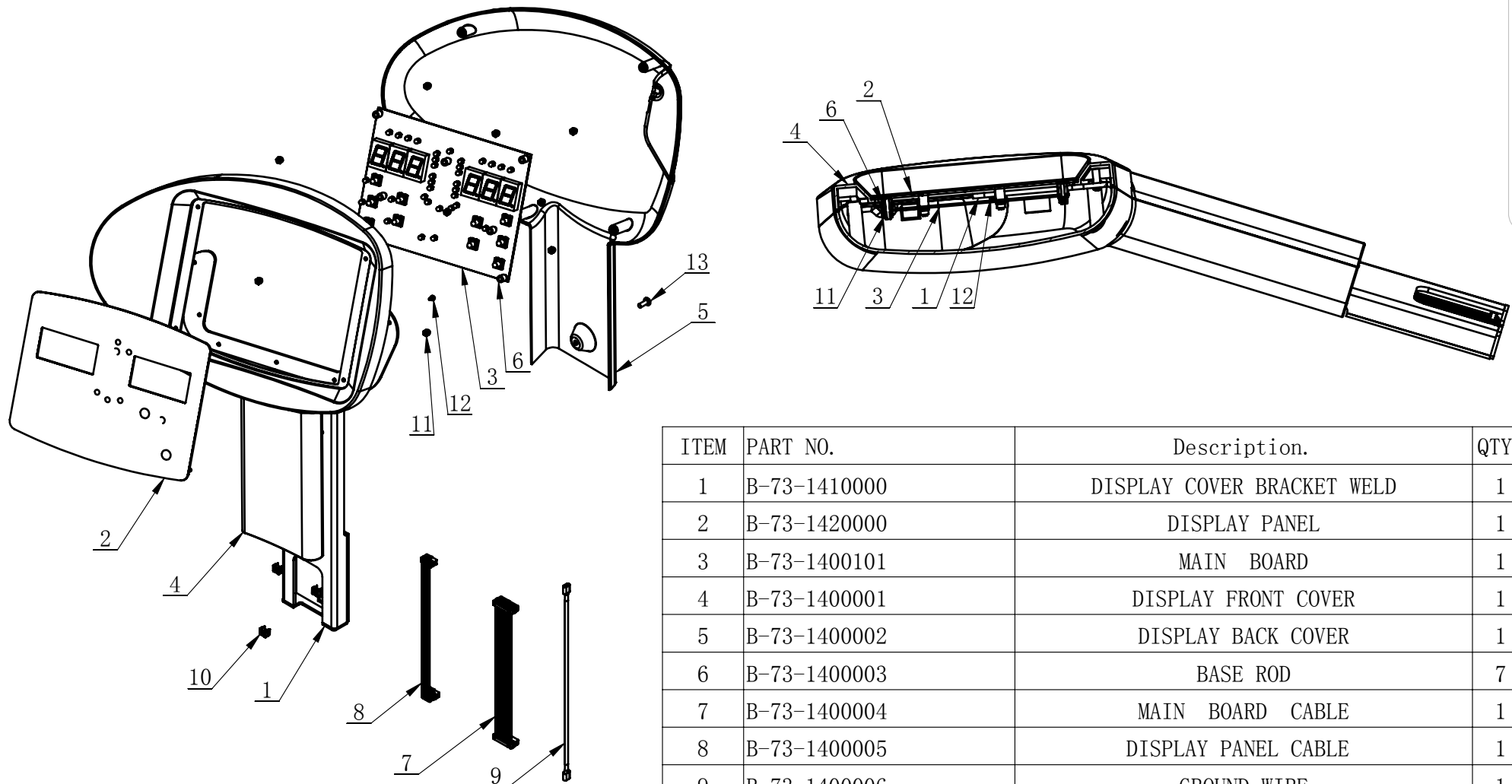
ITEM	PART NO.	Description.	QTY.
1	B-73-1210001	ENCODER BOARD	1
2	B-73-1210002	RASTER	1
3	B-73-1210003	ENCODER BOARD BRACKET	1
4	B-73-1211000	FIXING SHAFT WELDING	1
5	B-73-1212000	BALANCE SHAFT PART	1
6	B-73-1213000	BALANCER SPINDLE	1
7	TB-P-0300009	CLAMP RING	1
8	GB276-6005	DEEP GROOVE BALL BEARINGS	1
9	GB276-6006	DEEP GROOVE BALL BEARINGS	1
10	GB894.2-25	SHAFT ELATIC RETAINING RING B-TYPE	1
11	GB894.2-30	SHAFT ELATIC RETAINING RING B-TYPE	1
12	GB893.1-55	ELASTIC RETAINING RING A-TYPE	1
13	TB-P-0300008	SPRING PRESS COVER	1
14	GB95-4	FLAT WASHER	6
15	TB-P-0100009	SPRING	1
16	GB818-M4×10-H	CROSS PANHEAD SCREW	6
17	GB95-3	FLAT WASHER	2
18	GB93-3	STANDARD SPRING WASHER	2
19	GB818-M3×8-H	CROSS PANHEAD SCREW	2
20	GB93-4	STANDARD SPRING WASHER	6
21	TB-P-0300010	SMALL CONE	1
22	TB-P-0300012	LARGE CONE	1
23	TB-P-0300011	MIDDLE CONE	1
24	TB-P-0300015	LARGE CONE	1



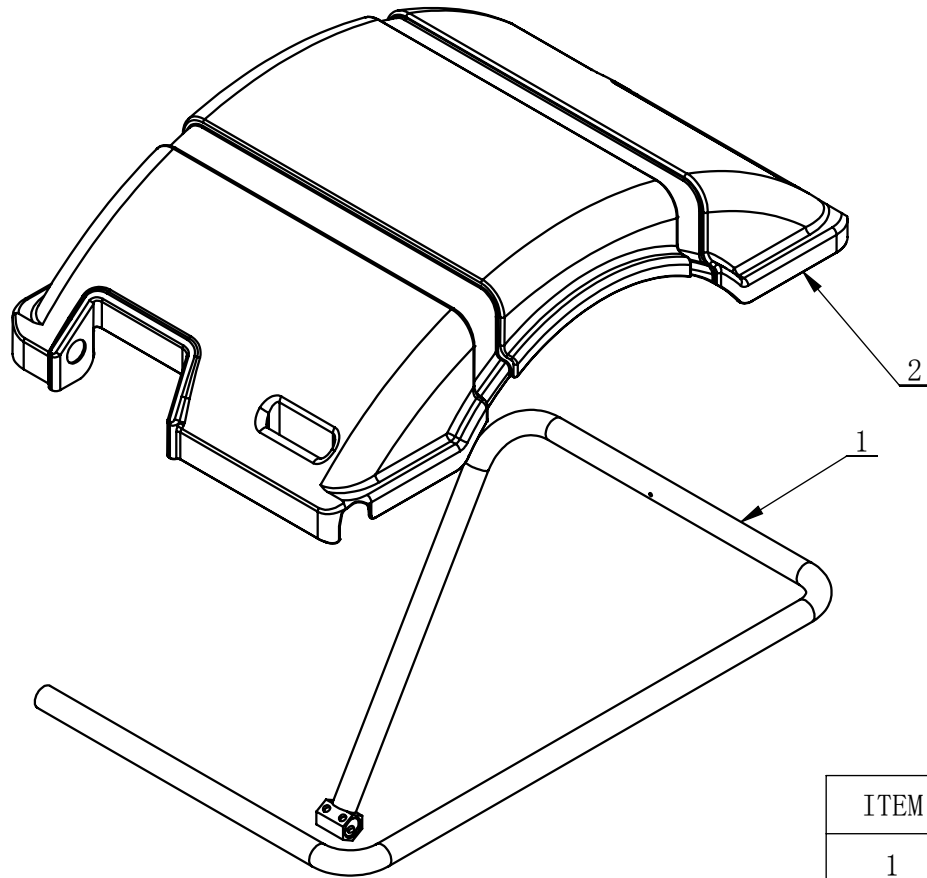
ITEM	PART NO.	Description.	QTY.
1	B-73-1300001	MAGNETIC GRID	1
2	B-73-1300002	A VALUE SENSOR	1
3	B-73-1300003	DISTANCE GAUGE FIX BRACKET	1
4	B-73-1300004	POTENTIALMETER FIX BRACKET	1
5	B-73-1300005	FILLING BOARD	1
6	B-73-1300006	SPRING	1
7	B-73-1300007	ACCELERATION TRANSDUCER	1
8	B-73-1300008	DISTANCE GAUGE SPRING	1
9	B-73-1300009	DISTANCE GAUGE ROD	1
10	B-73-1300010	SCALE	1
11	B-73-1300011	SMALL MAGNET	1
12	B-73-1300012	SEPARATION BLADE	1
13	B-73-1310000	DISTANCE GAUGE HANDLE ASSEMBLY	1
14	GB894.1-20	SHAFT ELATIC BIG RETAINING RING A-TYPE	1
15	GB70.1-M6×16	INNER HEXA CYLINDRICAL SCREW	1
16	GB818-M5×20-H	CROSS PANHEAD SCREW	4
17	GB950-M2.5×6	CROSS ROUND HEAD WOOD SCREW	2
18	GB95-3	FLAT WASHER	2
19	GB93-3	STANDARD SPRING WASHER	2
20	GB818-M3×8-H	CROSS PANHEAD SCREW	2



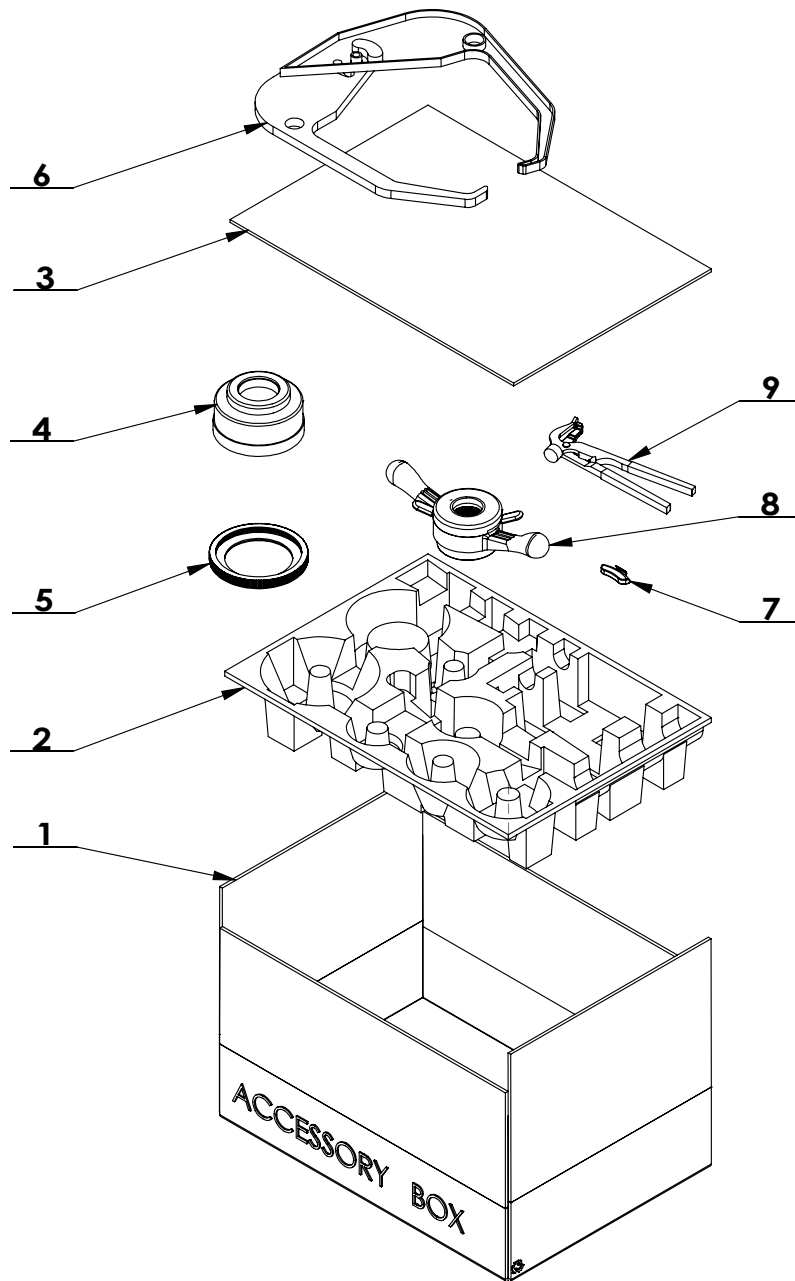
ITEM	PART NO.	Description.	QTY.
1	B-73-1310001	SCALE HANDLE	1
2	B-73-1310002	LONG CONNECT BUSHING	1
3	B-73-1310003	CONNECT BUSHING	1
4	B-73-1310004	TOP BLOCK	1
5	B-73-1310005	SCALE HEAD	1
6	B-73-1310006	SPRING	1
7	GB70. 1-M4×55	INNER HEXA CYLINDRICAL SCREW	1
8	B-73-1310007	SREEN FIXTURE SPRING	1



ITEM	PART NO.	Description.	QTY.
1	B-73-1410000	DISPLAY COVER BRACKET WELD	1
2	B-73-1420000	DISPLAY PANEL	1
3	B-73-1400101	MAIN BOARD	1
4	B-73-1400001	DISPLAY FRONT COVER	1
5	B-73-1400002	DISPLAY BACK COVER	1
6	B-73-1400003	BASE ROD	7
7	B-73-1400004	MAIN BOARD CABLE	1
8	B-73-1400005	DISPLAY PANEL CABLE	1
9	B-73-1400006	GROUND WIRE	1
10	B-73-1000004	CLIP NUT	3
11	GB889.1-M4	1-TYPE PREVAILING TORQUE TYPE HEXAGON LOCK NUT	11
12	GB845-ST2.9×9.5 H C	CROSS PANHEAD TAPPING SCREW	10
13	GB818-M5×12-H	CROSS PANHEAD SCREW	1



ITEM	PART NO.	Description.	QTY.
1	B-73-1521000	PROTECTIVE COVER BEND PIPE	1
2	TB-F-0100003	NEW STYLE HOOD	1



ITEM	PART NO.	Description.	QTY.
1	TB-S-0100006	ACCESSORY BOX	1
2	TB-S-0100007	TRAY	1
3	TB-S-0100008	ACCESSORY SPACE	1
4	TB-S-0100001	BOWL	1
5	TB-S-0100002	BOWL EDGE	1
6	TB-S-0100100	CALIPER ASSEMBLY	1
7	TB-S-0500001	WEIGHT (50g)	1
8	TB-K-0200000	40mm QUICK NUT	1
9	TB-S-0100005	BALANCE HAMMAR	1