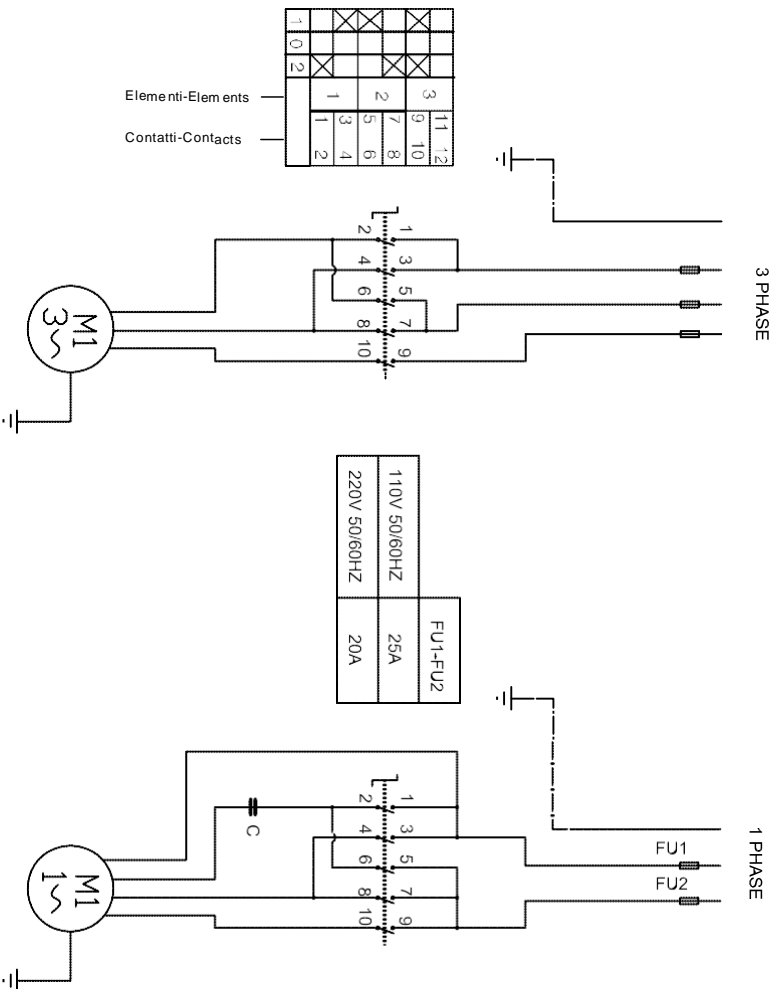
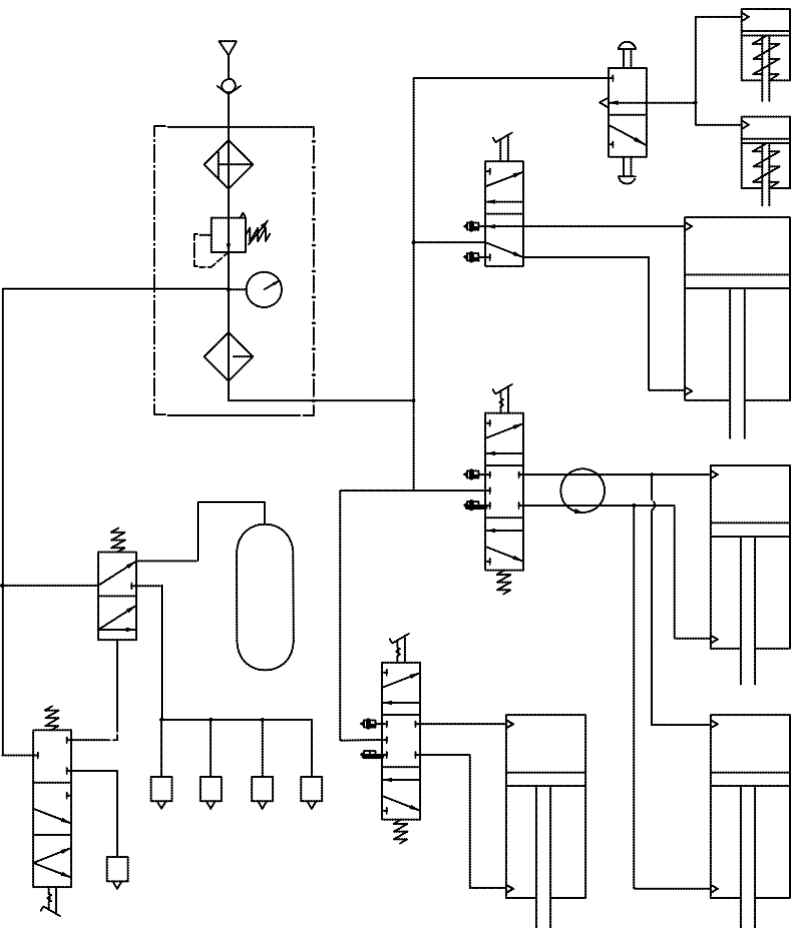


## 9、 Electric And Pneumatic Drawings

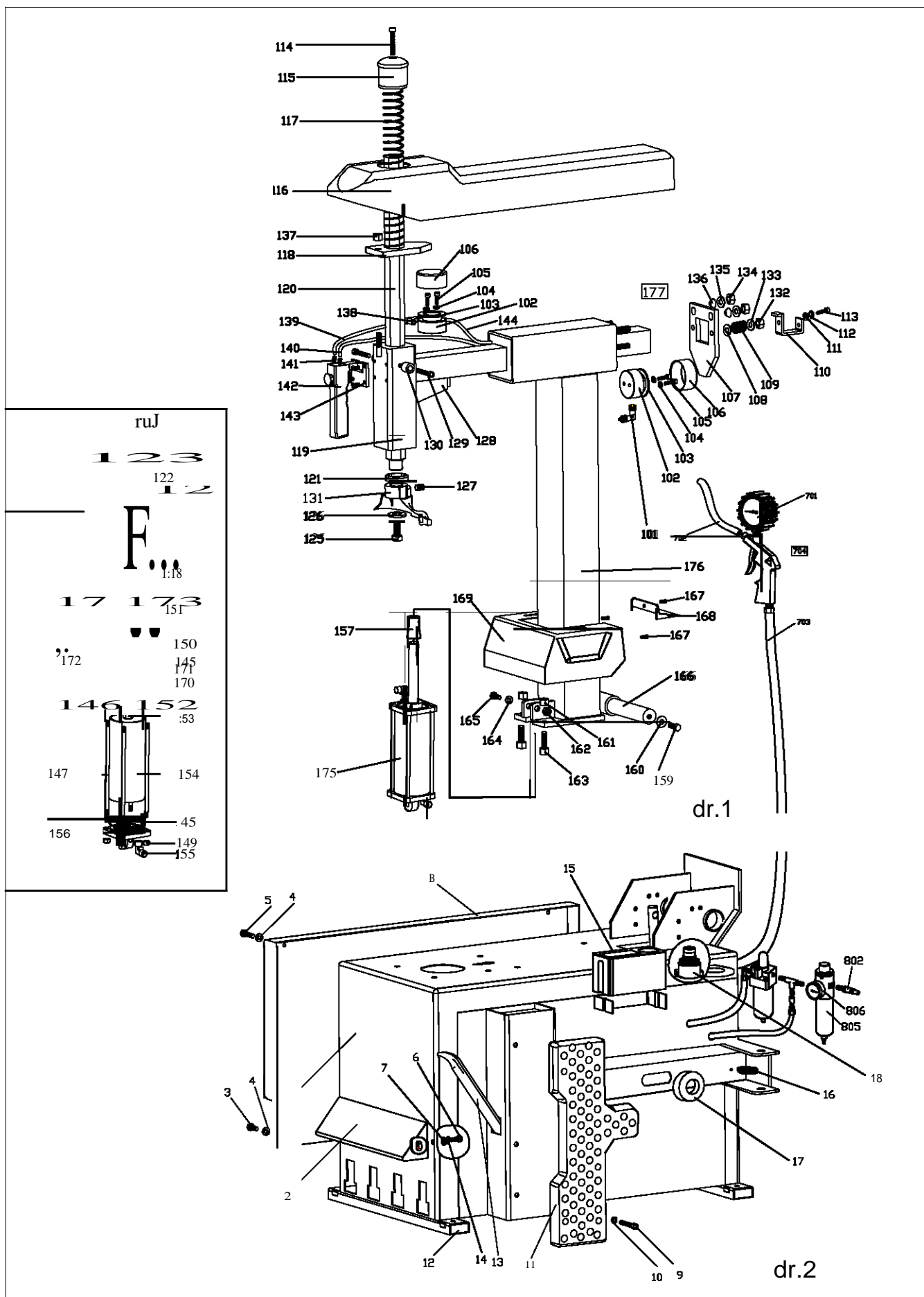
### 9-1 Electric Drawing

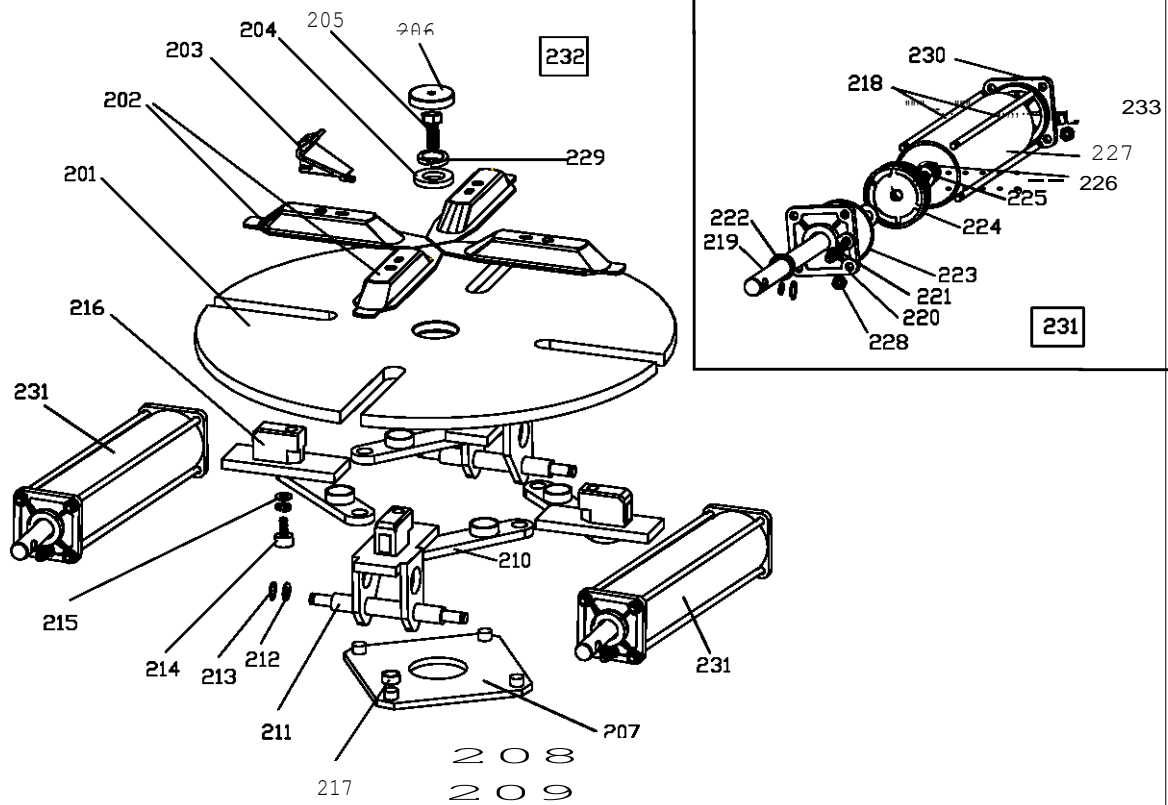


9-2 Pneumatic Drawing

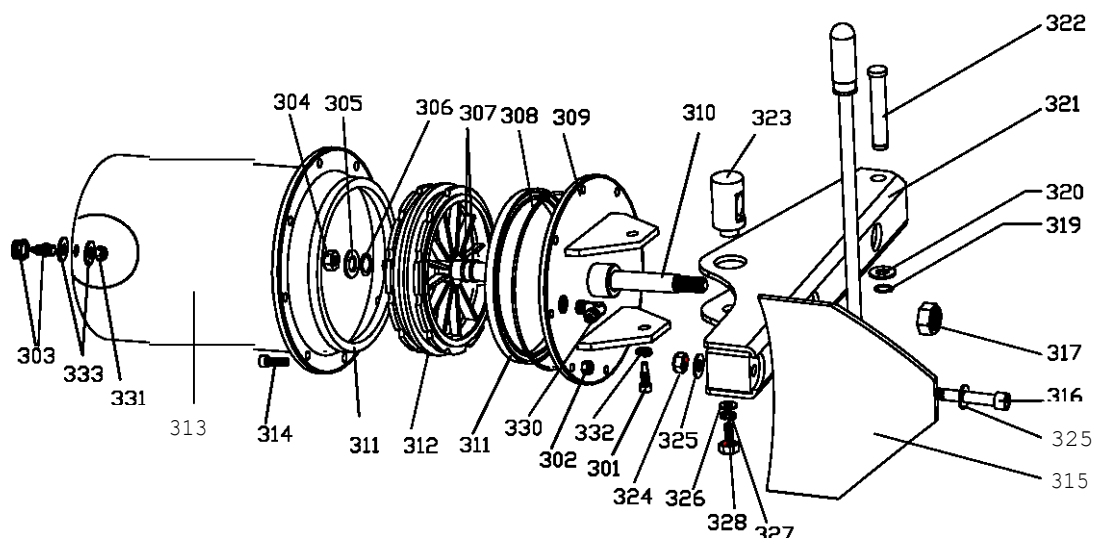


# 10 ДЕТАЛИРОВКА

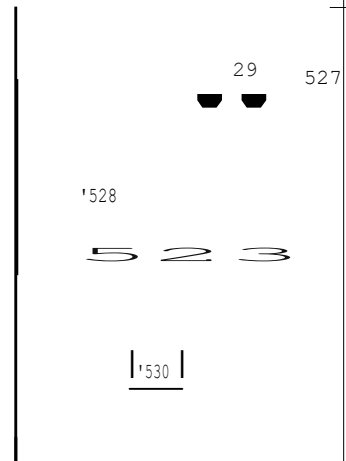
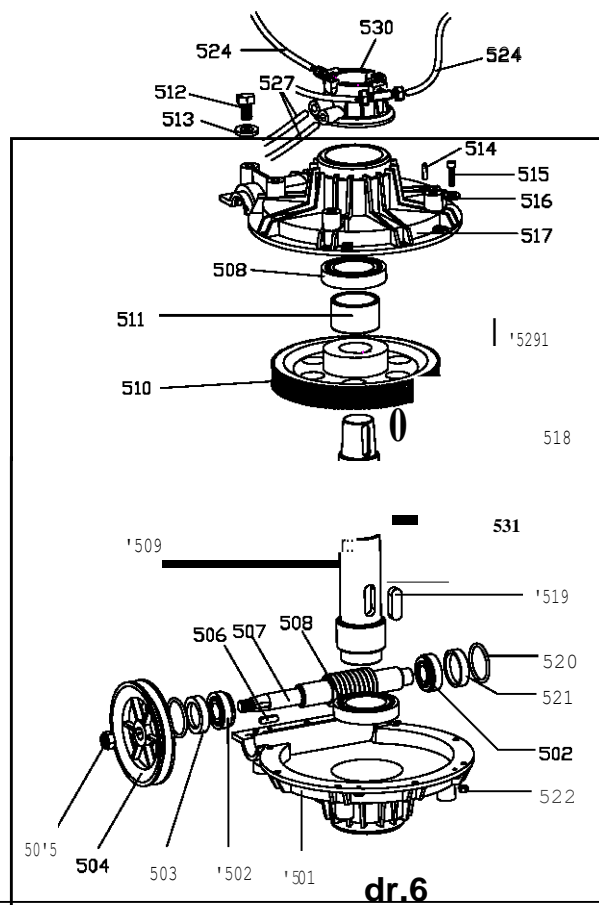
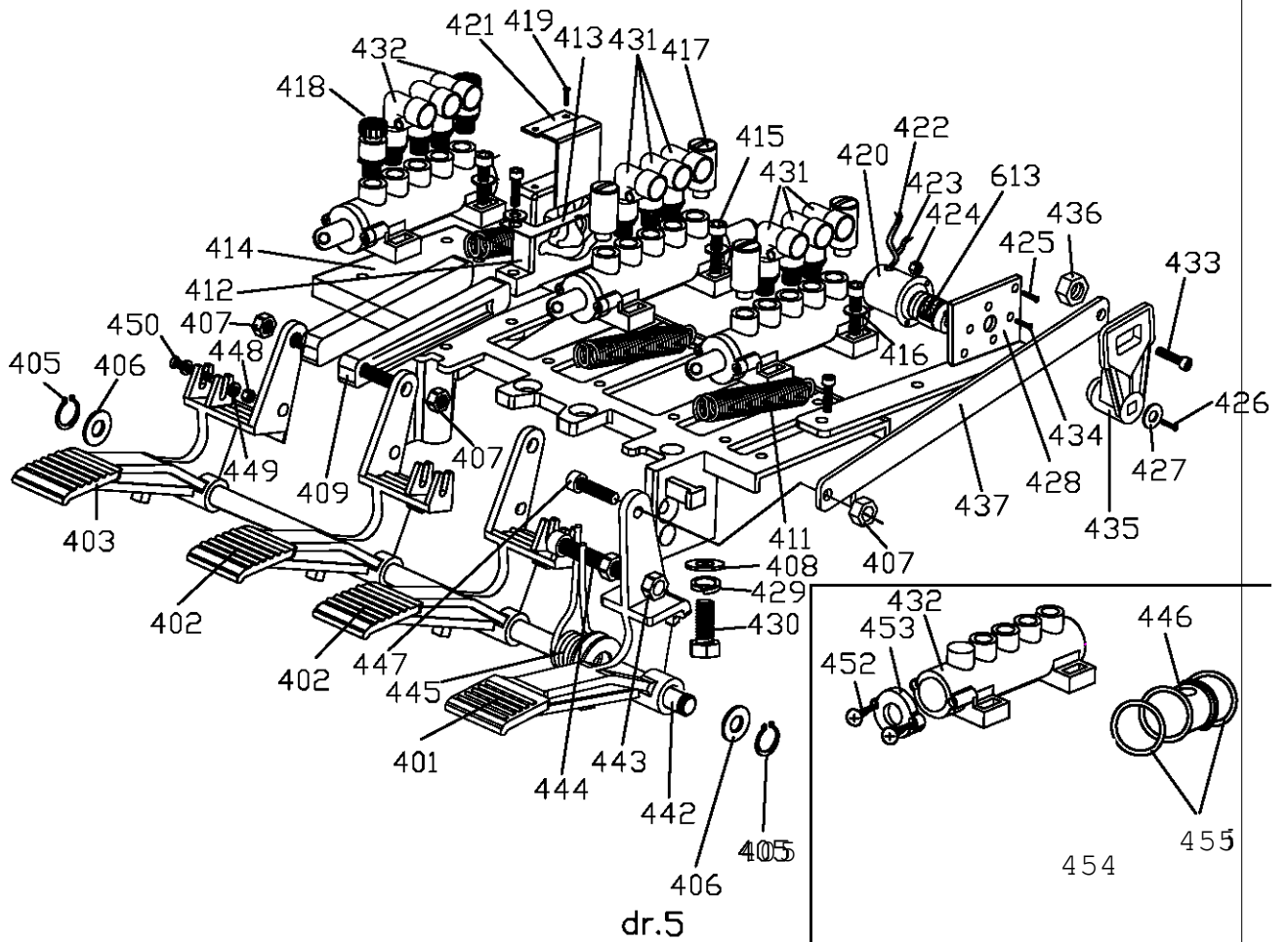


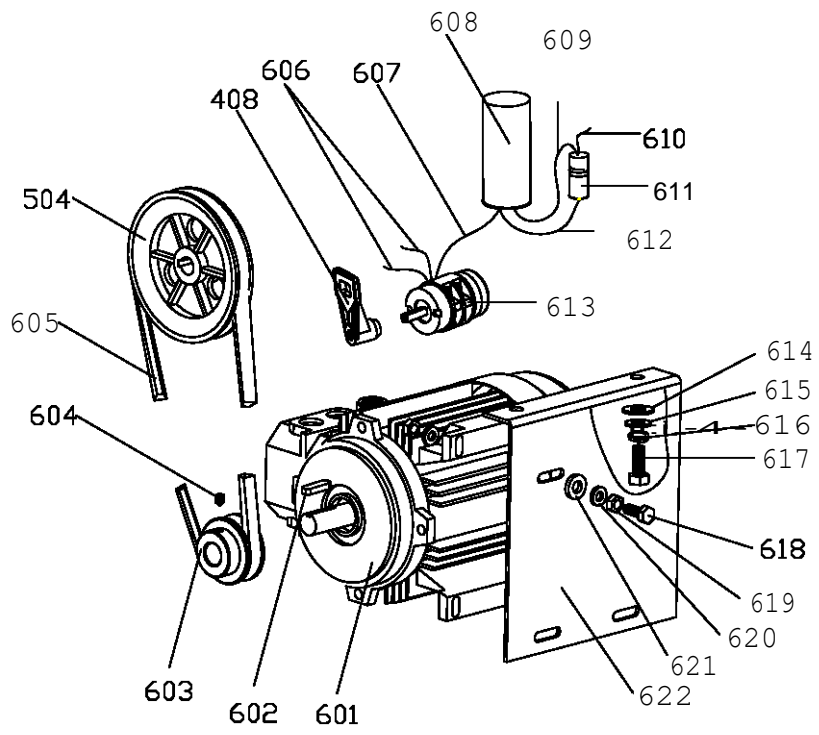


dr.3

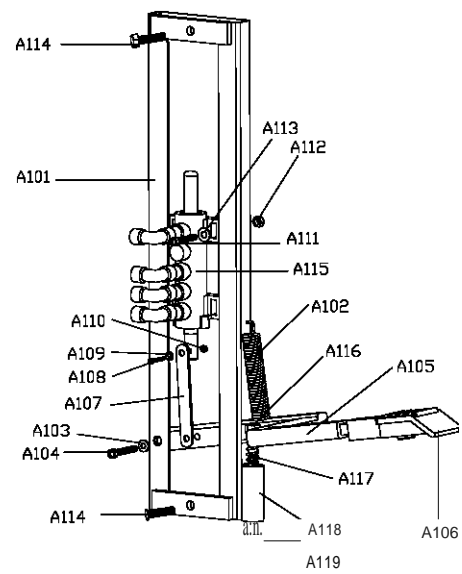
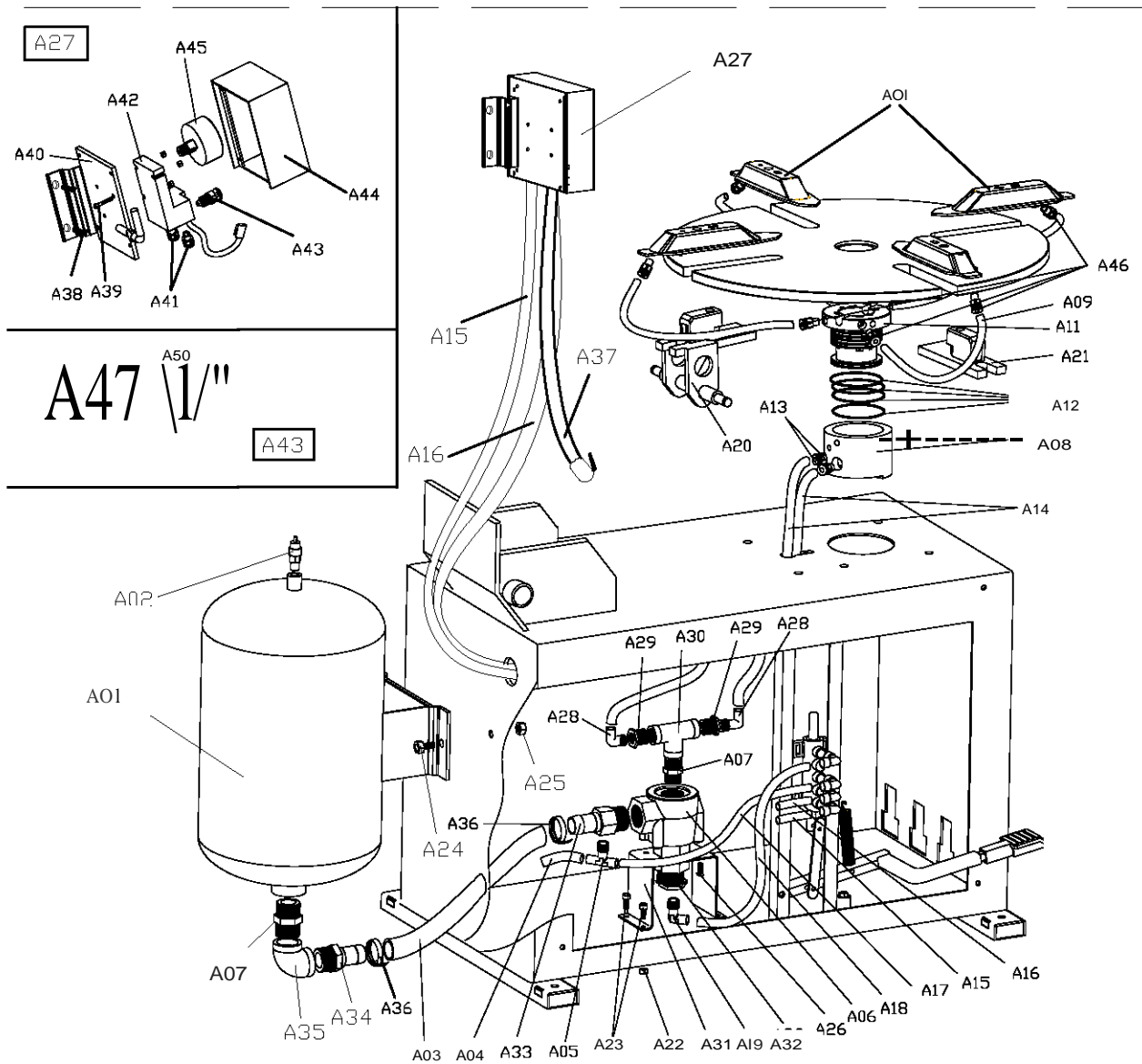


dr.4





dr.7



## 10 Перечень запчастей

No.	Code	Qt.	Description	No.	Code	Qt.	Description
1	C2330101	1	Body	135	GB/T 95	2	Washer φ12
2	C2110106	1	Front cover	136	C2330127	2	Horizontal locking cone
3	GB/T 70	3	Screw M6×15	137	GB/T 1337	1	Self-locking nut M8
4	GB/T 95	6	Washer φ6	138	C2330338	1	T-union 1/8"
5	GB/T 70	3	Screw M6×50	139	C2330360	1	Hose(Handle bar to locking cylinder)
6	GB/T 70	3	Screw M8×16	140	C2330360	1	Hose (tank to handle bar)
7	GB/T 95	4	Washer φ8	141	C2330342	2	Quick change adapter
8	C2110143	1	Left cover	142	C233012401	1	Locking handle bar
9	GB/T 70	6	Screw M6×15	143	GB/T 70	4	Screw M5×12
10	GB/T 95	6	Washer φ6	144	C2330313	1	Hose(Two locking cylinders link up )
11	C2110113	1	Rubber wheel support	145	JB 1092	2	O-ring φ70
12	C211010111	4	Rubber foot	146	GB/T 95	1	Washer φ12
13	C2110158	1	Bead liftng lever	147	C233016010	4	Tightener
14	GB/T 93	2	Spring washer φ8	148	C233016002	1	Cylinder rod
15	C2110159	1	box	149	GB/T 1337	8	Self-locking nut M8
16	C2110104	1	Spring	150	C211016001	1	Front flange
17	C2110108	1	Rubber support	151	JB/T 6997	1	V-seal
18	AR-2000	1	F.R.L.Combination	152	C2110106	1	Piston
				153	GB/T 1337	1	Self-locking nut M12
101	C2330337	1	L-union	154	C2330105	1	Cylinder casing
102	C233011601	2	Locking cylinder piston φ48	155	C2110342	1	Union 1/8"
103	C233011603	2	C-seal 60	156	C2110103	1	Rear flange
104	GB/T 95	2	Washer φ6	157	C233016011	1	Bell-mouthed sheath
105	GB/T 70	4	Screw M6×40	158	C233016010	2	Rubber sheath
106	C233011602	2	Locking cylinder casing φ48	159	GB/T 5781	2	Screw M10×15
107	C2330117	1	Horizontal locking plate	160	C2330159	2	Washer φ10
108	GB/T 95	2	Washer φ6	161	GB/T 41	2	Nut M10
109	C2330133	2	Horizontal locking spring	162	GB/T 1337	1	Self-locking nut M12
110	C2330118	1	Arm protection support	163	GB/T 5781	2	Screw M10×15
111	GB/T 95	4	Washer φ8	164	GB/T 95	1	Washer φ10
112	GB/T 93	4	Spring washer φ8	165	GB/T 27	1	Hinged bolt
113	GB/T 70	1	Screw M8×20	166	C2330140	1	Tilting pin
114	GB/T 70	1	Screw M8×40	167	GB/T 5781	2	Screw M10×15
115	C2110132	1	Knob	168	C2330164	1	Plastic cover
116	C2330129	1	Plastic cover	169	C2330128	1	Plastic cover
117	C2110131	1	Spring	170	C233016007	1	Sheath support
118	C2330130	1	Vertical locking plate	171	C233016008	1	Rubber sheath
119	C2330126	1	Horizontal arm	172	C233016009	1	Rubber sheath
120	C2110125	1	Hexagonal vertical arm	173	C233016004	1	Cover
121	C2110124	1	Buffer bush	174	GB/T894	1	Seeger ring
122	C211012302	1	Pulley	175	C2330119	1	Complete tilting cylinder
123	C2110124	1	Munting head	176	C2330138	1	Vertical column
124	GB/T 119	1	Pin	177	C2330116	2	Complete Locking cylinder
125	GB/T 78	1	Screw M10×25				
126	GB/T 95	1	Washer φ10	201	C2110122	1	Turntable φ610
127	GB/T 80	1	Screw M12×15	202	C2110145	4	Slide
128	C2330134	1	Shock absorber	203	C2110144	4	Jaw
129	GB/T 950	2	Screw M6×10	204	C2110120	1	Turntable washer
130	C2330131	2	Spacer φ6	205	GB/T 5781	1	Screw M16×20
131	C2110123	1	Complete mounting head	206	C2110163	1	Cap
132	GB/T 1337	1	Self-locking nut M8	207	C2110147	1	Control plate
133	GB/T 95	1	Washer φ8	208	C2110120	1	Washer
134	GB/T 1337	2	Self-locking nut M12	209	GB/T 894	1	Seeger ring φ65

210	C2110150	4	Connecting rod	332	C211010608	1	Washer φ12
211	C2110121	2	Slide guide with pin	333	GB/T6173	1	Nut M12X1.25
212	GB/T 95	4	Washer φ12	334	GB/T5781	12	Screw M6X16
213	GB/T 894.1	4	Seeger ring φ12	335	C2110343	1	L-union 1/4"
214	GB/T 80	4	Screw M12×85	336	C2110106A	1	Complete bead breaker cylinder
215	GB/T 95	4	Washer φ12				
216	C211012101	2	Slide guide	401	C211011202	1	Switch pedal
217	C2110148	4	Flat spacer for chuck	402	C211011201	2	pedal
218	C211011904	8	Tightener	403		1	4#pedal
219	C211011902	2	Cylinder rod	405	GB/T 894.1	2	Seeger ring φ12
220	C211011901	2	Front flange	406	GB/T95	2	Washer φ12
221	C2110336	1	Union 1/8"-φ7	407	GB/T 1337	2	Self-locking nut M8
222	JB/T 6997	2	V-seal	408	GB/T 5287	2	Washer φ8
223	JB1092	4	O-ring φ70	409	C211011210	1	Cam connecting rod
224	C211011906	2	Piston	410	C211011208	1	Pedals support
225	GB/T 95	2	Washer φ12	411	C211011211	2	Spring
226	GB/T 1337	2	Self-locking nut	412	C211011209	1	Cam
227	C211011905	2	Cylinder casing	413	C211011216	1	Flat spring
228	GB/T 95	16	Washer M8	414	C211011208	1	Pedals support
229	GB/T 95	1	Spring Washer φ16	415	GB/T 70	10	Screw M6×20
230	C211011903	2	Rear flange	416	GB/T95	10	Washer φ6
231	C2110119	2	Complete clamping cylinder	417	C211011221	4	Silencer 1/8"
232		1	Complete self-centering chuck	418	06-01	2	Adjust valve
233	C2110331	2	L-Union 1/8"	419	GB/T 845	2	Cap screw ST2.9×5
				420		1	switch Protect
301	GB/T 70	2	Screw M12×15	421	C211011215	1	Cam cover
302	GB/T 41	12	Nut M6	422	C2110211	1	Power cable
303	C2110353	1	Union 1/4"	423	C2110211	1	Cable (switch to motor)
304	GB/T 1337	1	Self-locking nut M12	424	GB/T 41	2	Nut M4
305	GB/T 95	1	Washer φ12	425	GB/T 973	2	Screw M4X15
306	JB1092	1	O-ring φ16	426	GB/T 973	1	Screw M3X16
307	JB1092	2	O-ring φ16	427	GB/T93	1	Spring washer φ3
308	JB1092	2	O-ring φ180	428	C211011218	1	Switch support
309	C211010606	1	Bead breaker cylinder lid (front)	429	GB/T93	2	Spring washer φ8
310	C211010601	1	Bead breaker rod	430	GB/T 70	2	Screw M8×16
311	JB/T 1091	2	V-seal	431	C2110331	7	L-union 1/8"-φ8
312	C211010602	1	Piston	432	C2110331	2	L-union 1/8"-φ6
313	C211010603A	1	Bead breaker cylinder	436	GB/T 1337	1	Self-locking nut M6
314	GB/T 70	12	Screw M6×15	437	C211011206	1	Connecting rod
315	C2110114	1	Shovel	442	C211011203	1	Pedals shaft
316	GB/T 70	12	Screw M12×70	443	GB/T 41	2	Nut M8
317	GB/T 1337	1	Self-locking nut M16	444	GB/T 70	1	Screw M8×60
319	GB/T 894.1	1	Seeger ring φ16	445	C211011213	1	Twist-spring
320	GB/T 96	1	Washer φ16	436	GB/T 1337	1	Self-locking nut M6
321	C2110105	1	Bead breaker arm	437	C211011206	1	Connecting rod
322	C2110142	1	Bead breaker arm pin (rear)	442	C211011203	1	Pedals shaft
323	C2110168	1	Rotating pin	443	GB/T 41	2	Nut M8
324	GB/T 1337	1	Self-locking nut M12	444	GB/T 70	1	Screw M8×60
325	GB/T 95	2	Washer φ12	445	C211011213	1	Twist-spring
326	GB/T 5287	1	Washer φ8	446	C20200122004	10	Spacer
327	GB/T93	1	Spring washer φ8	447	GB/T 70	1	Screw M8×15
328	GB/T 5783	1	Screw M8×15	448	GB/T 1337	2	Self-locking nut M4
329	C2110106A	1	Complete bead breaker cylinder	449	GB/T95	6	Washer φ4
330	C2110343	1	L-union 1/4"	450	GB/T 973	3	Screw M4X40
331		1	Nut 1/8"	451	C211011220	2	Complete 5-way valve(T-union)
332		2	Washer φ10	452	GB/T 845	2	Cap screw ST2.9×5



453	C20200122003	2	valve cover	701	C211033001	1	Air gauge
454	C20200122002	2	Valve pole	702	C211033002	1	Air outlet hose
455	JB1092	18	O-ring φ12	703	C211033003	1	Air inlet hose
				704	C2110330	1	Complete inflating gun
501	C211015203	1	Bottom cover				
502	GB/T 297	2	Roller bearing 30204	801	C2110345	1	T-union 1/4"
503	GB/T 10708	1	V-seal	802	C2110351	1	Quick change adapter
504	C211015207	1	Gear box pulley	803	C2110343	1	L-union 1/4"
505	GB/T 41	1	Nut M10	804	C2110331	1	Lubricator
506	GB/T 1096	1	Key 6×20	805	C2110332	1	Filter and pressure reducer
507	C211015206	1	Worm screw	806	C2110333	1	Pressure gauge
508	GB/T 292	2	Bearing 7010	807	200-03-03	1	Filter and pressure reducer+lubr.
509	C211015202	1	Worm gear shaft	808	C2110161	1	Gauge support
510	C211015201	1	Worm gear	809	GB/T 819	2	Screw M4×40
511	C211015208	1	Spacer	810	GB/T 819	2	Screw M5×12
512	GB/T 5783	6	Screw M10×55				
513	GB/T95	6	Washer φ10	A01	I2110301	1	Tank
514	GB/T 117	2	Pin	A02	PQ-L10	1	safety valve
515	GB/T 70	10	Screw M6×15	A03	I2330341	1	Hose (tank to quick exhaust valve)
516	GB/T93	6	Spring washer φ10	A04	I2110312	1	Hose (input to quick exhaust valve)
517	C211015203	1	Upper cover	A05	C21103011	1	T-union 1/4"
518	GB/T 1096	1	Key 10×40	A06	KP-L25	1	Complete quick exhaust valve
519	GB/T 1096	1	Key 14×40	A07	C2330339	1	Tie-in
520	JB1092	2	O-ring φ34	A08	I211030301	1	Rotating valve casing
521	C211015205	1	Plastic cap	A09	I2110313	4	Hose(Rotating union to slide)
522	GB/T 1337	10	Self-locking nut M6	A10	I2110145	4	Slide
523	C211011701	1	Rotating union casing	A11	I211011701	1	Rotating union mandrel
524	C2110327	2	Hose (Rotating valve to clamping cylinder)	A12	C211011704	4	O-ring φ60.5×3.1
525	C2110342	4	Union 1/8"	A13	C21103011	2	Union 1/2"-φ12
526	C211011702	1	Rotating union mandrel	A14	I2110314	2	Hose(exhaust valve to Rotating union)
527	C2110341	2	T-Union	A15	I2110315	1	Hose(5-way valve to inflating gun)
528	JB1092	3	O-ring φ60X2.65	A16	C211011220	1	Hose(5-way valve to quick exhaust valve)
529	C2110152	1	Complete gearbox	A17	I2110314	1	Hose(5-way valve to inflating gun)
530	C2110117	1	Complete rotating union	A18	I2110317	1	Hose(5-way valve to quick exhaust valve)
531	GB/T 70	2	Screw M6×8	A19	I2110330	1	L-union 1/8"
				A20	I211011210	2	Slide guide with pin
601	C2110201	1	Motor MY8024	A21	I211011210	2	Slide guide
602	GB/T 1096	1	Key 6 ×20	A22	GB/T41	4	Nut M6
603	C2110141	1	Motor pulley	A23	GB/T5781	4	Screw M6
604	GB/T 71	1	Screw M6×10	A24	GB/T5781	2	Screw M10
605	GB/T 11544	1	Belt A26"	A25	GB/T41	2	Nut M10
606	C2110211	1	Cable (switch to motor)	A26	GB/T5781	4	Screw M6X25
607	C2110212	1	Cable (switch to capacitor)	A27	I2330340	1	Air manometer
608	C2110202	1	Capacitor 35μF	A28	C2110340	2	L-union 1/2"
609	C2110213	1	Cable	A29	I233030303	2	Tie-in
610	C202011217	1	Switch jacket	A30	I233030304	1	T-Union
611	C2110154	2	Shock absorber washer	A31	I233030301	1	quick exhaust valve support
612	C2110154	8	Shock absorber washer	A32	I233030305	1	Union
613	IEC947-3	1	Reverse switch	A33	I233030302	1	Union
614	C2110154	2	Shock absorber washer	A34	I233030103	1	Union
615	GB/T95	2	Washer φ8	A35	I233030104	1	L-Union
616	GB/T 93	2	Spring washer	A36	I233030106	2	Nip
617	GB/T 70	2	Screw M8×20	A37	I22110322	1	inflate hose
618	GB/T 70	2	Screw M8×50	A38	GB/T5781	2	Screw M6X20
619	GB/T 41	8	Nut M8	A39	GB/T818	4	Screw M4X30
620	C2110110	1	Motor support	A40	I233017002	1	back cover

A41	PC10-01	2	connector 1/8"	A104	GB/T 5780	1	Bolt M8×30
A42	I233017004	1	integer block	A105	I2110102	1	Pedal lever
A43	I233017005	1	deflate valve	A106	I2110103	1	Inflation pedal
A44	I233017003	1	front cover	A107	I2110104	1	Connecting rod
A45		1	air manometer support	A108	GB/T 5780	1	Bolt M4×20
A46	PC10-02	8	Union 1/4"-φ10	A109	GB/T 50	1	Washer φ4
A47	I23301700502	1	shaft of valve	A110	GB/T 1337	1	Self-locking nut M4
A48	GB/T3452.1	1	O-ring φ4.0×1.8	A111	GB/T 70	1	Screw M6×20
A49	I23301700504	1	spring	A112	GB/T 1337	1	Self-locking nut M6
A50	I23301700501	1	valve block	A113	GB/T 50	1	Washer φ6
A51	I23301700503	1	cap	A114	GB/T 70	2	Screw M8×25
				A115	I2110316	1	5-way valve
A101	I2110101	1	Inflation pedal support	A116	GB/T5781	4	Screw M10X70
A102	GB/T 1239.6	1	Spring	A117	GB/T 1239.6	1	Spring
A103	GB/T 50	1	Washer φ8	A118	GB/T 5780	1	Bolt M4×20