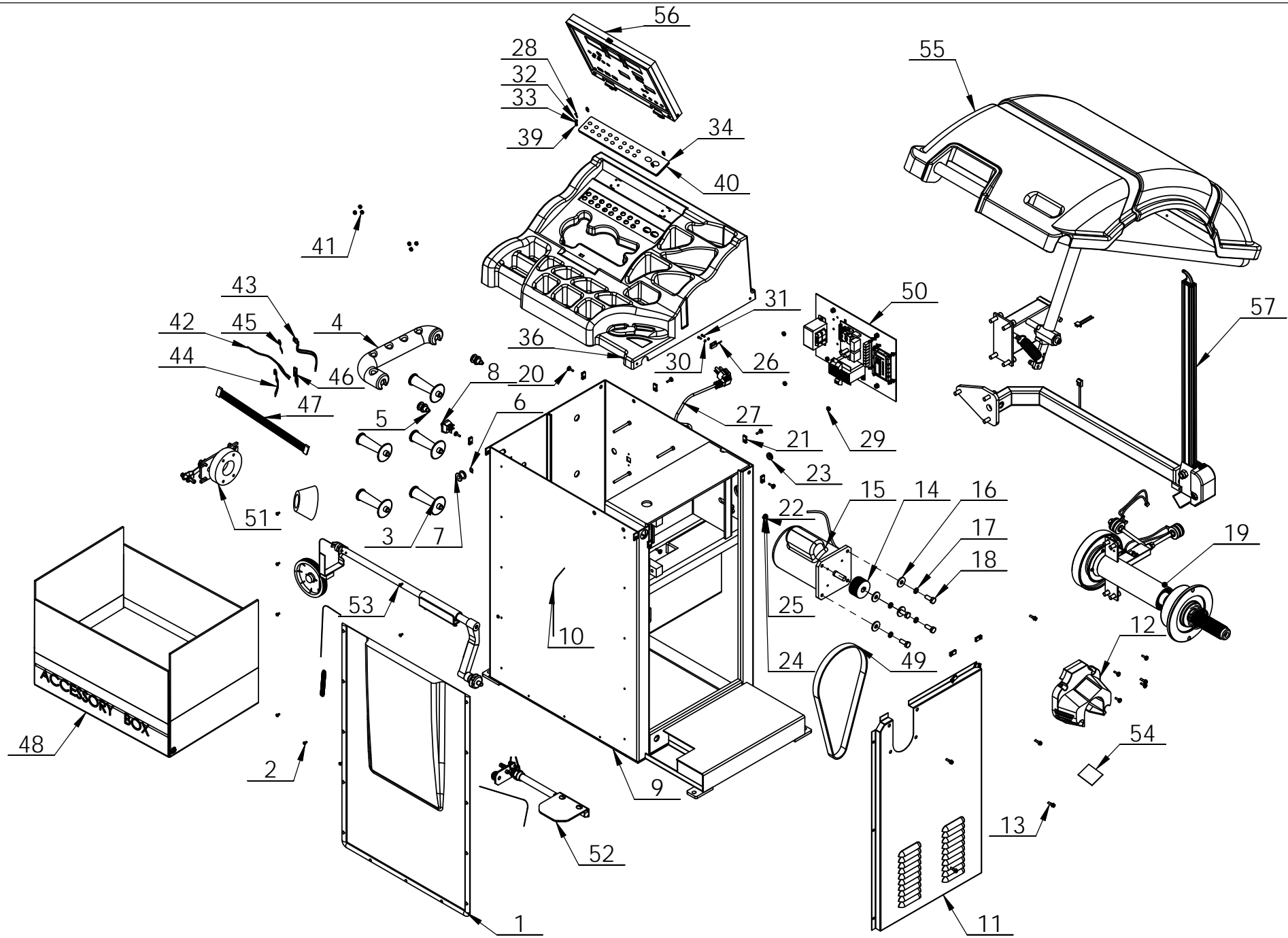

Wheel Balancer Exploded Drawing

CB958B

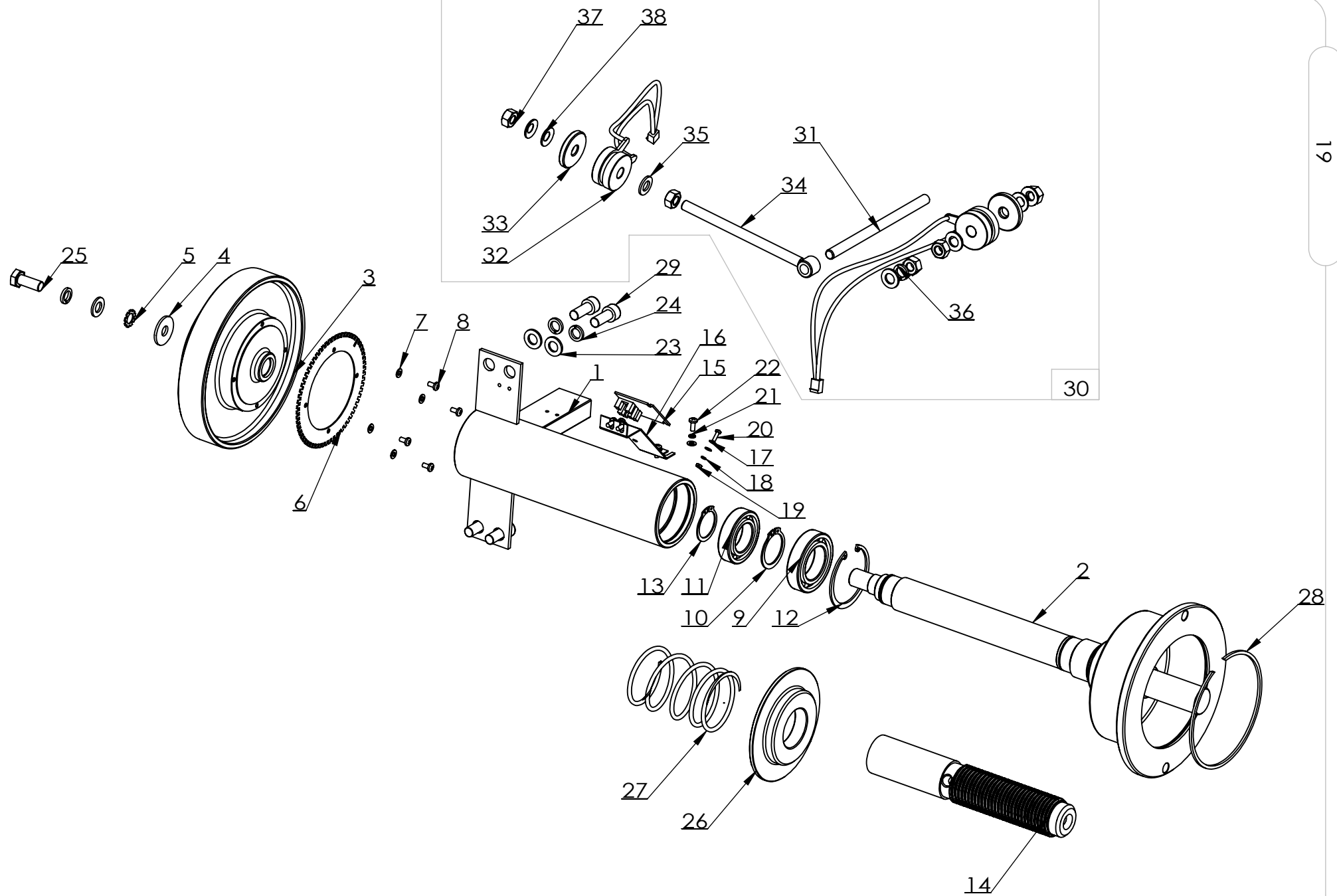
Version: QI/GM.CB958B-2011-03

Date: 03.2011

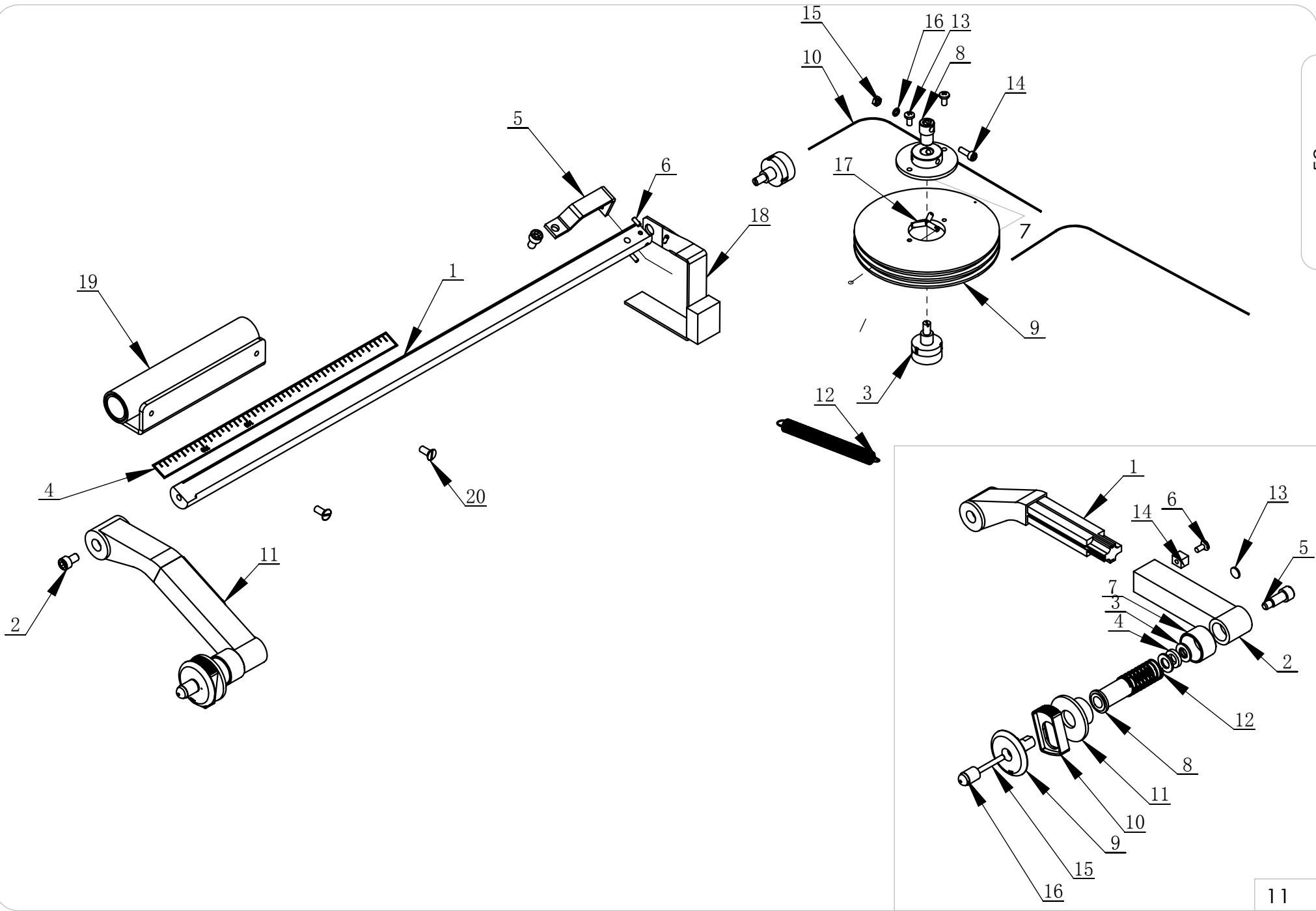


ITEM	PART No	Description.	QTY
1	6008856	FRONT COVER	1
2	5009007	SCREW M4X8-8	13
3	5508006	CONE HANG HANDLE	5
4	6008857	TOOL SHELF	1
5	6008859	TOOL SHELF CONNECTION	2
6	5002030	SHAFT RETAINING RING	1
7	6008544	ROPE GUIDING WHEEL	1
8	5508007	POWER SWITCH	1
9	6008860	BODY	1
10	5009101	STEEL WIRE	1
11	6008866	SIDE SEALING PANEL	1
12	6008862	MAIN SHAFT COVER	1
13	5008010	Screws ST5.5×19	6
14	6008503	MOTOR BELT PULLEY	1
15	5509037	MOTER	1
16	5008001	NON-STANDARD PLAIN WASHER	4
17	5008119	STANDARD SPRING WASHER	4
18	5004020	HEXANGULAR BOLT	4
19	5509084	BALANCING SHAFT ASSEMBLY	1
20	5009036	SCREW M4	10
21	5009037	NUT M4	10
22	5009038	SCREW M6X10	1
23	5509085	STOP-UP	1
24	5008063	WASHER 6	1
25	5008122	WASHER 6	1
26	5509024	MAGNETIC SWITCH	1
27	5508206	POWER CABLE	1
28	5008005	SCREWS M3×16	4
29	5008123	GB FASTENER NUT SNC1 M6-N	4
30	5009011	NUT	6
31	5010065	SCREW M3X10	2
32	5009010	WASHER	5
33	5009013	WASHER	4
34	6008872	KEY BOARD	1
35	6008871	WEIGHT TRAY	1
36	6008502	CB958WEIGHT TRAY	1
37	5008062	WASHER	6
38	5008026	WASHER	1
39	5008026	WASHER	2
40	6008872	KEY BOARD	1
41	5004247	NUT M5	6
42	5508060	SWITCH CABLE	1
43	5509054	PROTECTIVE WIRING	1
44	5509088	PANEL WIRING	1
45	5508062	PHOTOCELL BOARD	1
46	5509090	MAIN BOARD CONNECTION	1
47	5509091	DISPLAY PANEL CABLE	1
48	6008889	ACCESSORY	1
49	5508002	WEDGE BELT (940mm)	1
50	6009788	POWER PANEL ASSEMBLY	1
51	5007789	BRAKE ASSEMBLY	1

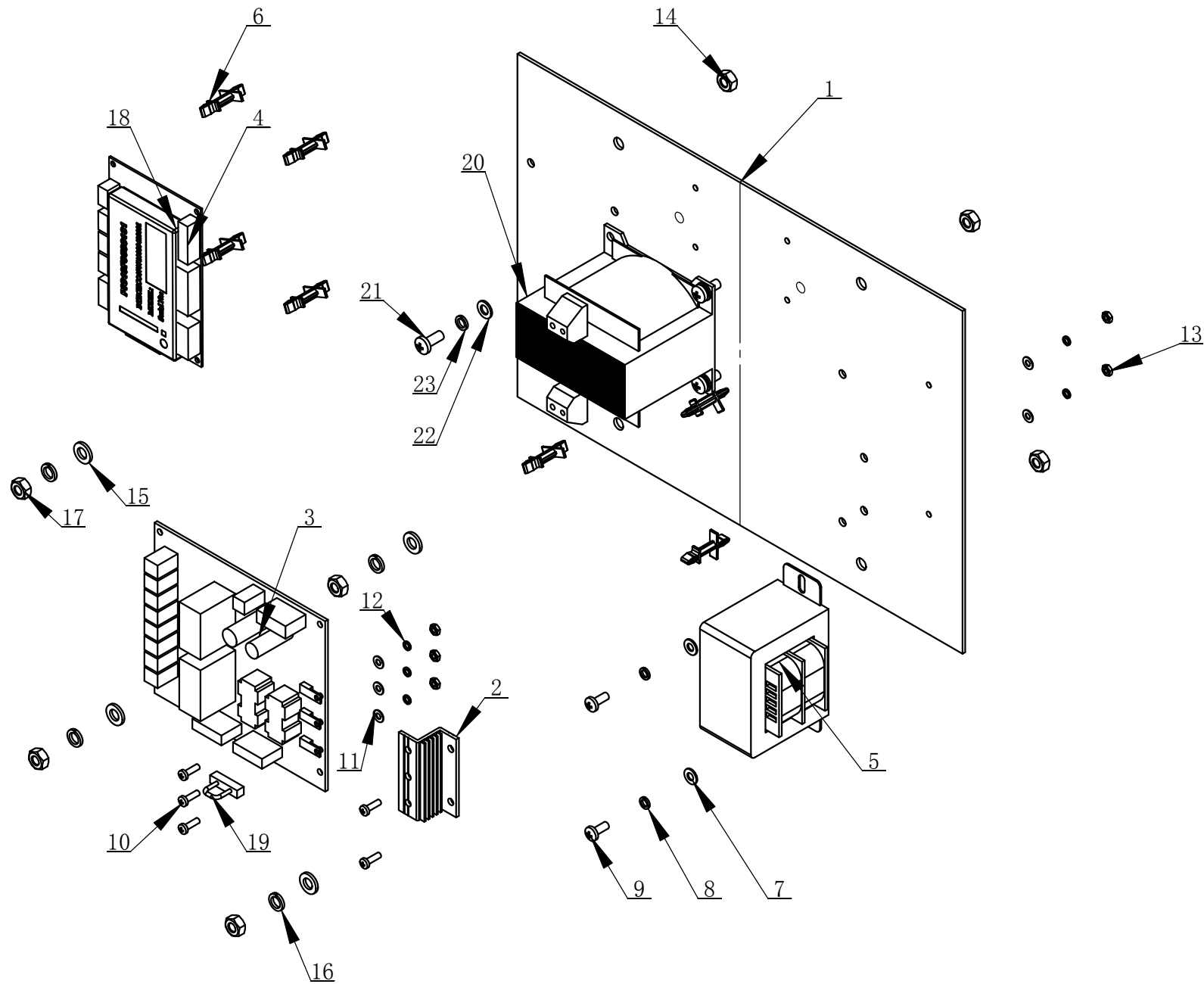
52	6007654	ROTATION SHAFT ASSEMBLY	1
53	6009988	SCALE ASSEMBLY	1
54	5500555	STAINLESS STEEL MIRRO	1
55	6009998	SCALE PROTECTIVE COVER	1
56	6008888	DISPLAY PANEL ASSEMBLY	1
57	6001488	WIDTH SCALE ASSEMBLY	1



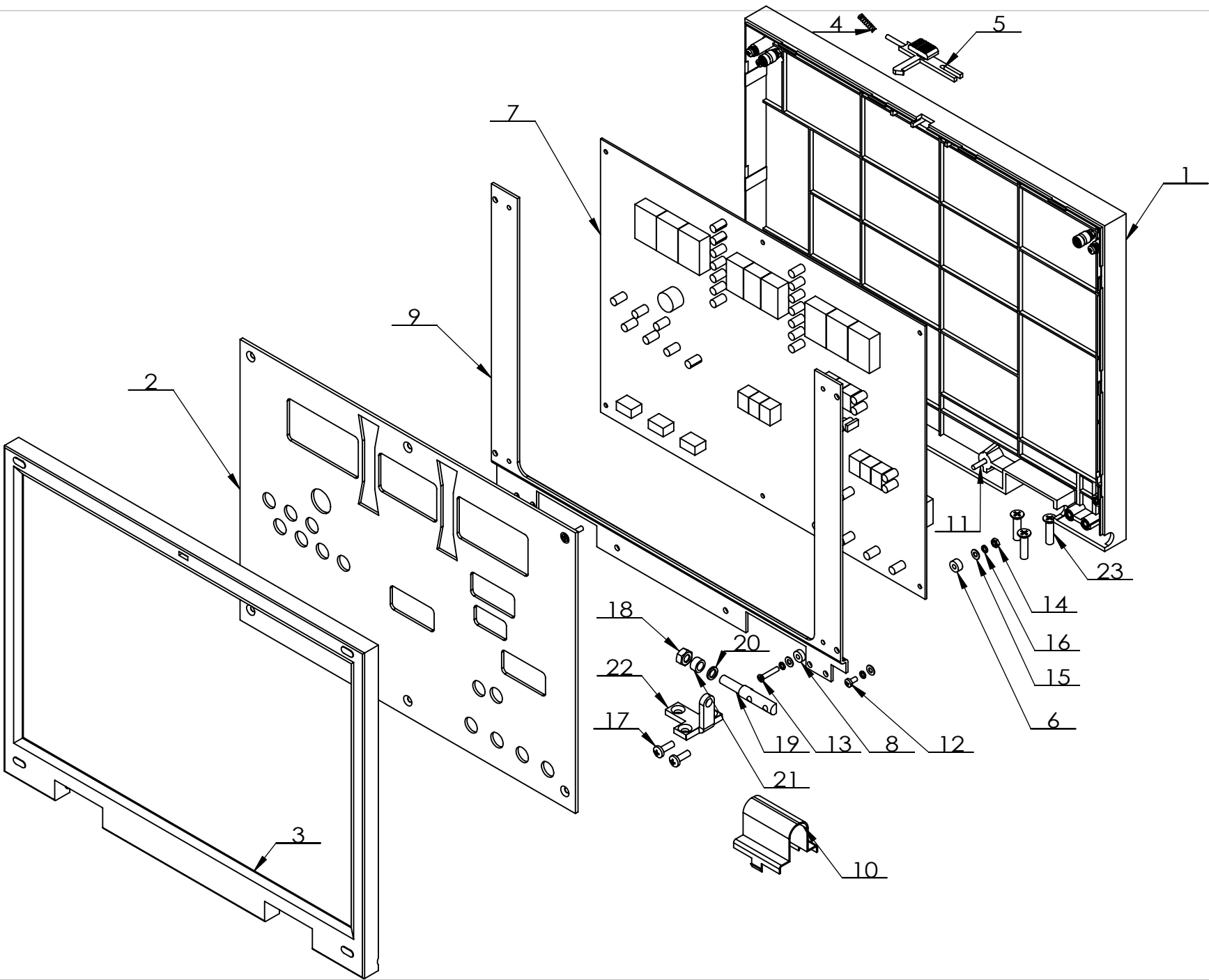
ITEM	PART №	Description.	QTY
1	6008559	MAIN SHAFT BUSHIING	1
2	6008560	ROTATION SHAFT	1
3	5509075	LARGE BELT PULLEY	1
4	5004005	WASHER 10	1
5	5008047	WASHER 10	1
6	5509076	PHOTOELECTRIC SET	1
7	5010040	FLAT WASHER	8
8	5000091	CROSS PANHEAD SCREW	4
9	5010234	BEARINGS GB276-6007	1
10	5010221	RINGS CSB 35	1
11	5008028	BALL BEARING 6006	1
12	5008048	CIRCLIP 62	1
13	5002023	RINGS CSB 33	1
14	6008563	LEAD SCREW	1
15	5509077	ANGLE SENSOR	1
16	5509078	PHOTOELECTRIC CELL PLATE	1
17	5010214	FLAT WASHER	4
18	5000079	STANDARD SPRING WASHER	2
19	5008026	HEXANGULAR NUT 1-TYPE	2
20	5010065	CROSS PANHEAD SCREW	2
21	5000068	STANDARD SPRING WASHER	4
22	5000010	CROSS PANHEAD SCREW	4
23	5004221	FLAT WASHER	5
24	5010006	STANDARD SPRING WASHER	5
25	5004020	HEXANGULAR BOLT	1
26	6008676	SPRING PRESS COVER	1
27	6008979	BALANCING SHAFT PRESS SPRING	1
28	5007969	COLLAR	1
29	5010088	INNER HEXA CYLINDRICAL	4
30	6008518	BALANCING SHAFT ASSEMBLY	1
31	6008533	FULL BOTTON SCREW	1
32	5508040	SENSOR	2
33	6008530	PRESSING WASHER	2
34	6008553	FLYING RINGS SCREW	1
35	5004221	FLAT WASHER	3
36	5010006	STANDARD SPRING WASHER	1
37	5008004	HEXANGULAR NUT 1-TYPE	5
38	5010909	DISK ELASTIC WASHER	4



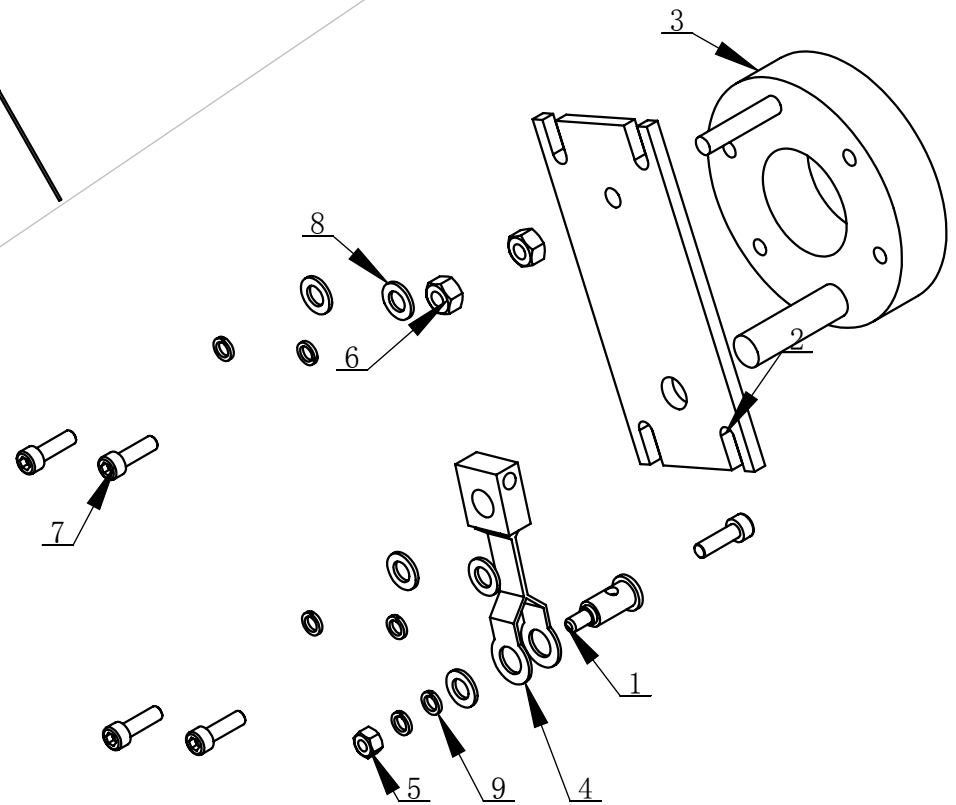
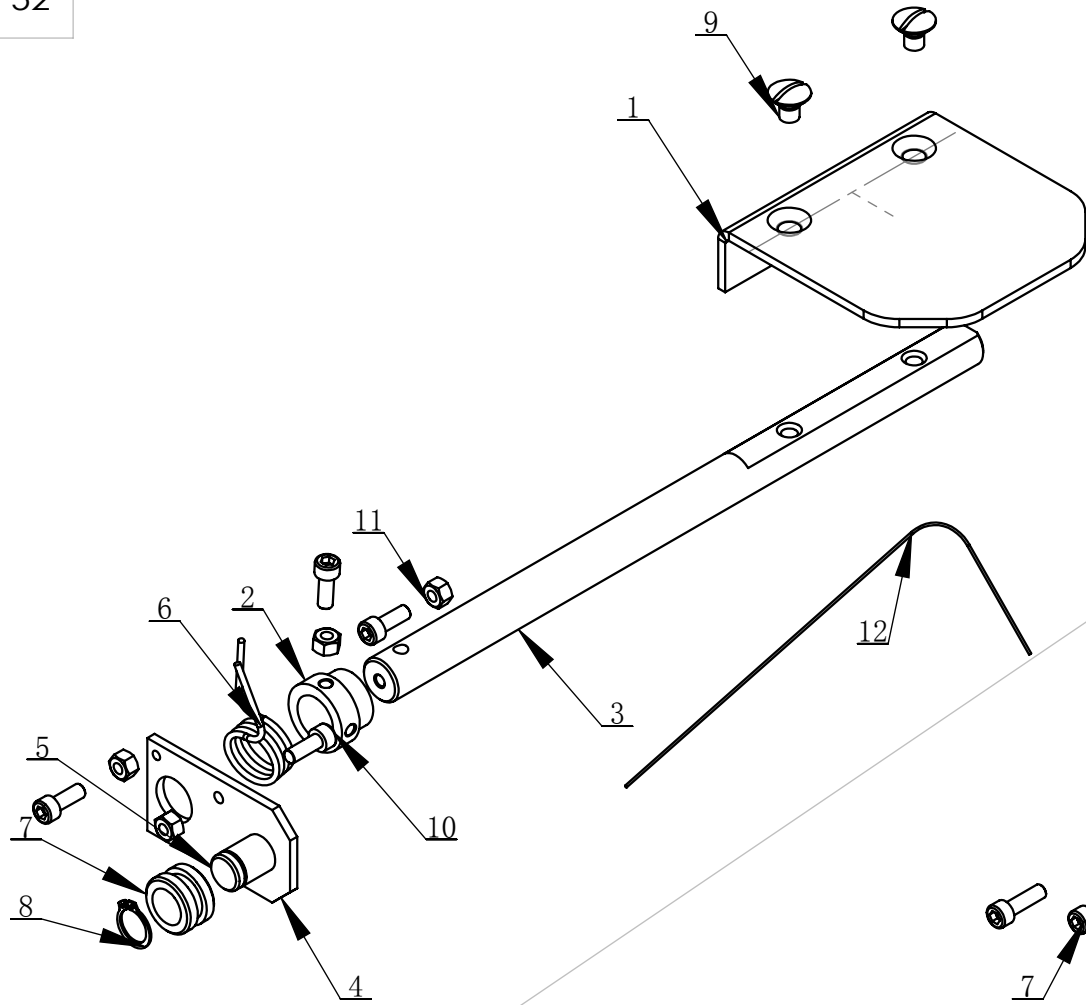
ITEM	PART No	Description.	QTY
1	6008800	SCALE ROD	1
2	5004220	INNER HEXA CYLINDRICAL SCREW	2
3	5508046	VARISISTOR	2
4	5509100	RULER	1
5	6008546	BRACKRT	1
6	5009030	SLOTTED FLATTEN HEAD SET SCREW	3
7	5508045	ASSEMBLY	1
8	6008548	WHEEL BUSHING	1
9	5508045	ROTATION WHEEL BODY	1
10	5009101	STEEL WIRE	2
11	6008901	SCALE ASSEMBLY	1
12	5508086	AUTOMATIC SCALE EXTENSION SPRING	1
13	5900010	SCREW M4X8	2
14	5010235	INNER HEXA CYLINDRICAL SCREW	1
15	5000063	HEXANGULAR NUT 1-TYPE	1
16	5010040	STANDARD SPRING WASHER	1
17	5010113	SCREW-M4X12	3
18	6008995	PIZEO WELDING ASSEMBLY	1
19	6008996	SCDLE GUIDE BUSHING ASSEMBLY	1
20	5503046	SLOTTED COUNTERSUNK SCREW	2
11			
1	5509071	SCALE HANDGRIP	1
2	5509069	FLEX HANDLE	1
3	5000018	FLAT WASHER	2
4	5009033	WASHER 8	1
5	5509066	SCREW	1
6	5006063	SLOTTED COUNTERSUNK SCREW	1
7	6008903	ADAPTER SLEEVE	1
8	6008902	ADAPTER SLEEVE	1
9	5509102	SPACER SLEEVE	1
10	5509103	COLUMN JACK	1
11	5509104	PRESS COVER	1
12	5509104	SPRING	1
13	5509023	MAGNET	1
14	5509068	TELESCOPIC SHAFT STOP BLOCK	1
15	5509066	TELESCOPIC BUSH SCREW	1
16	5509069	DECORATION HEAD	1



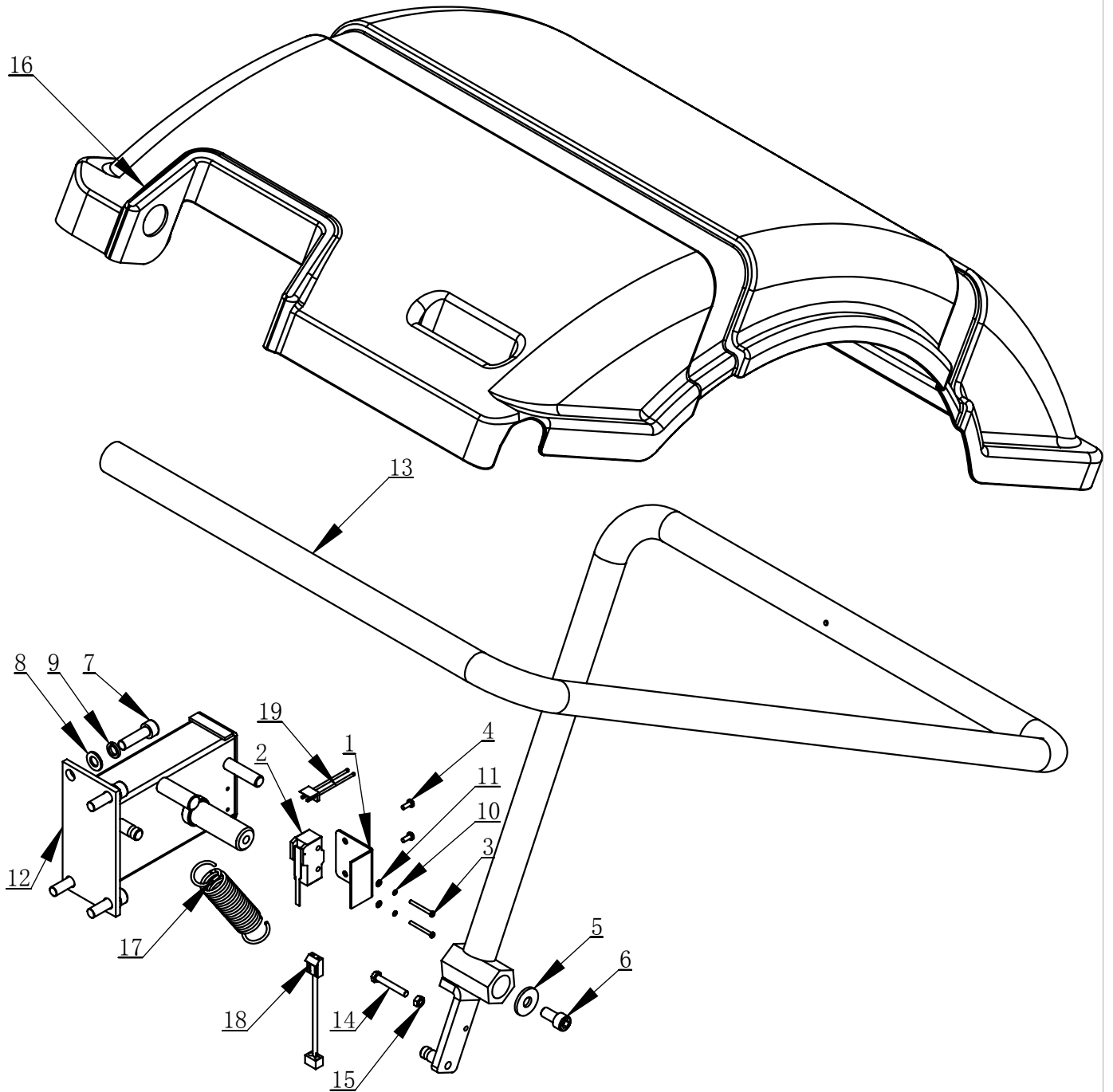
ITEM	PART No	Description.	QTY
1	6008873	ELECTRIC INSTALLATION BOARD	1
2	6008843	RADIATOR FIN	1
3	5509070	POWER SUPPLY BOARD	1
4	5509072	COMPUTER BOARD	1
5	5508005	TRANSFORMER 220V110	1
6	5508003	PLASTIC CLIPPER	8
7	5008069	FLAT WASHER	2
8	5008068	STANDARD SPRING WASHER	2
9	5000010	CROSS PANHEAD SCREW	2
10	5010065	CROSS PANHEAD SCREW	5
11	5009010	WASHER	5
12	5009013	WASHER	5
13	5009011	NUT	5
14	5008123	GB FASTENER NUT SNC1 M6-N	4
15	5008063	FLAT WASHER	4
16	5008122	STANDARD SPRING WASHER	4
17	5004008	HEXANGULAR NUT 1-TYPE	4
18	6009888	MOTHERBOARD COVER	1
19	5009999	SKIP LINE	1
20	5509060	TRANSFORMER	1
21	5509073	CROSS PANHEAD SCREW	4
22	5509074	FLAT WASHER	4
23	5509075	STANDARD SPRING WASHER	4



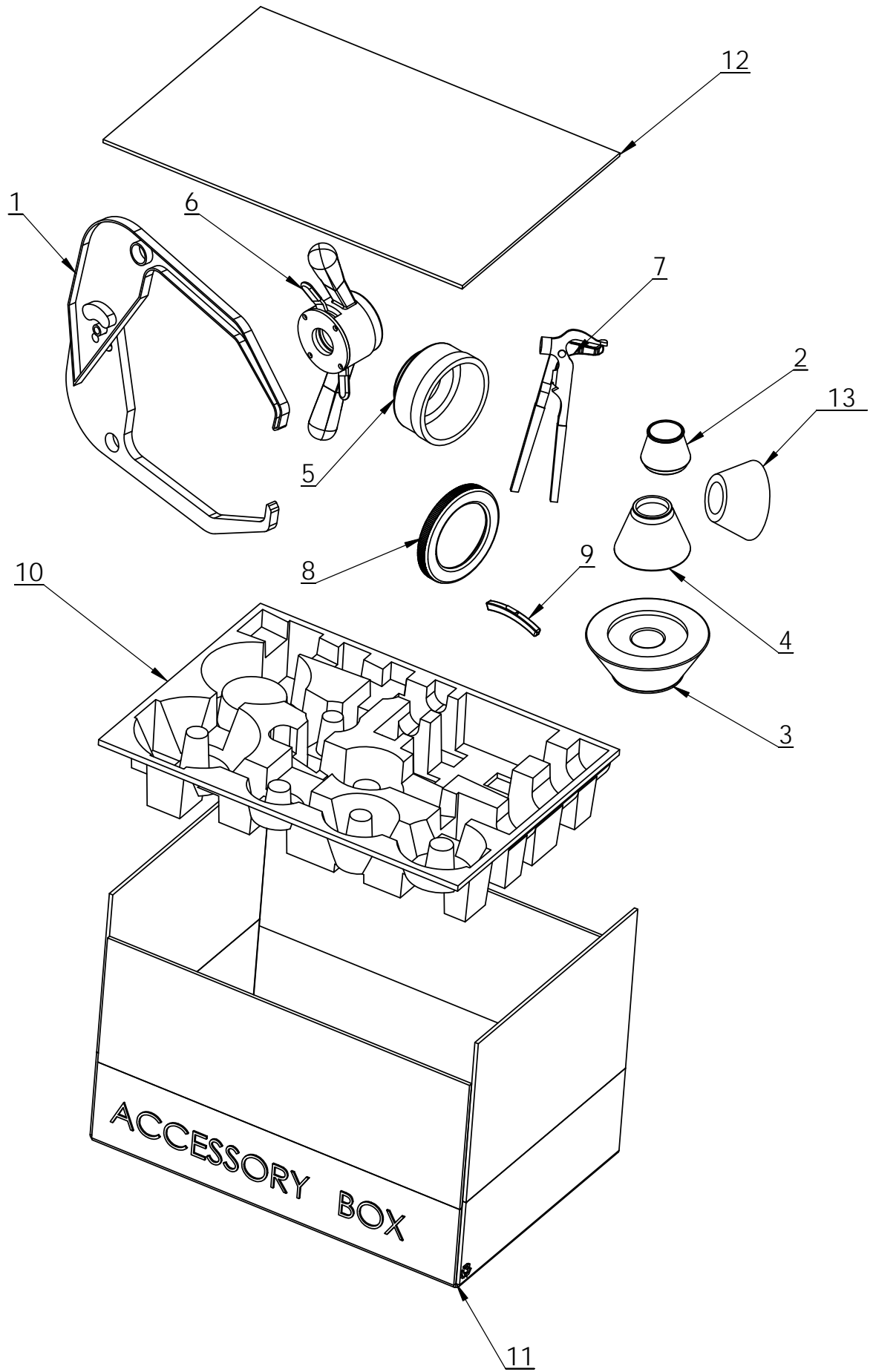
ITEM	PART No	Description.	QTY
1	6008887	B COVER	1
2	6008876	DISPLAY BOARD	1
3	6008874	B CASE	1
4	6008885	SREEN FIXTURE SPRING	1
5	6008898	DISPLAY HOOK	1
6	6008878	WASHER	4
7	6008888	DISPLAY BOARD	1
8	6008877	WASHER	4
9	6008880	DISPLAY STEEL SUPPORT	1
10	6008879	SCREEN COVER	2
11	5009040	CROSS PANHEAD SCREW	2
12	5000073	CROSS PANHEAD SCREW	4
13	5008005	CROSS COUNTERSUNK SCREW	4
14	5009011	HEXANGULAR NUT 1-TYPE	4
15	5009010	FLAT WASHER	12
16	5009013	STANDARD SPRING WASHER	12
17	5008070	CROSS PANHEAD SCREW	4
18	5004008	HEXANGULAR NUT 1-TYPE	2
19	6008884	SREEN SHAFT	2
20	6008881	WASHER	2
21	6008882	SREEN DAMP COVER	2
22	6008883	DISPLAY STEEL SUPPORT	2
23	5009039	CROSS COUNTERSUNK SCREW	6



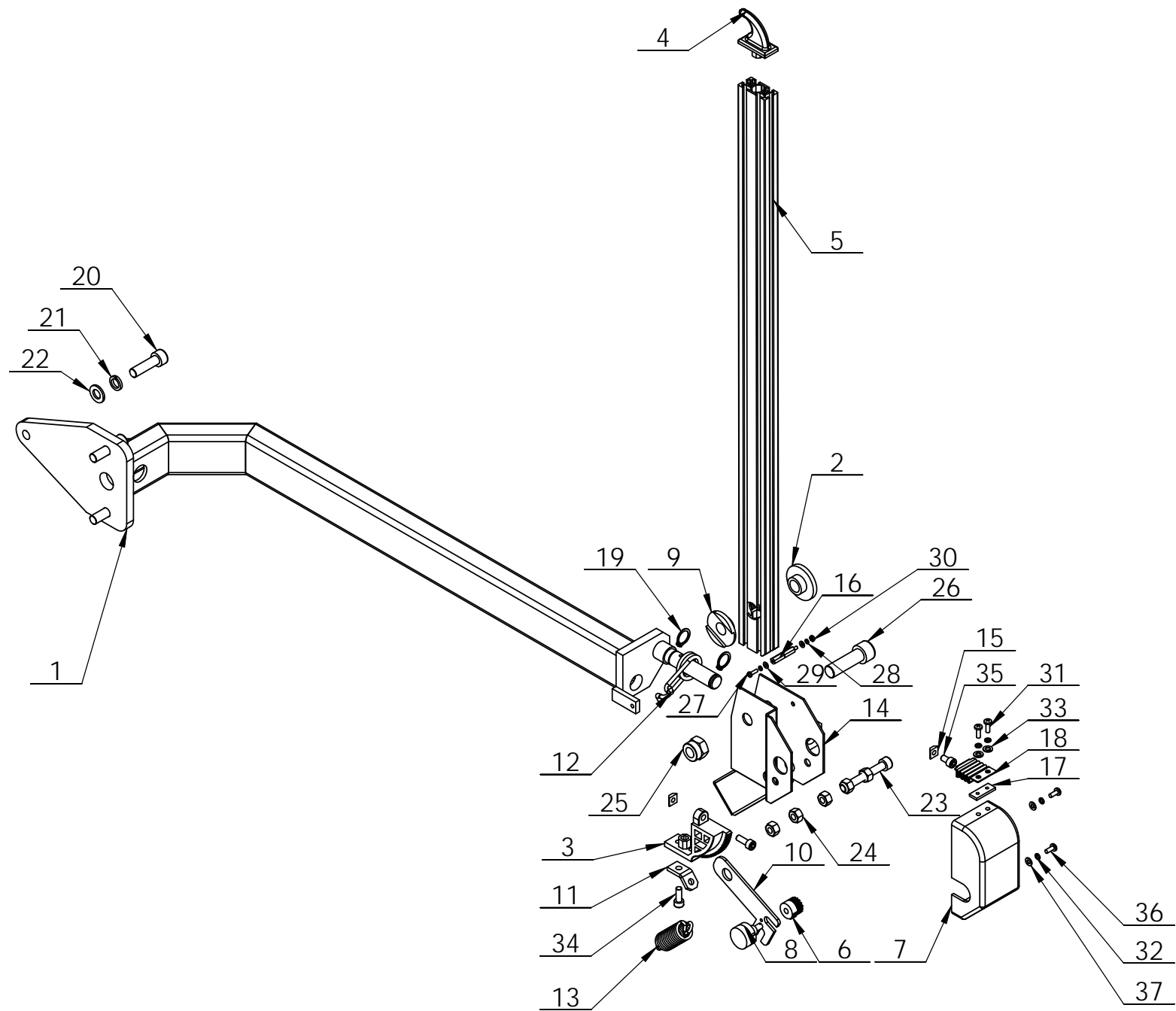
52			
ITEM	PART No	Description.	QTY
1	6008861	PEDAL	1
2	6008864	TIGHT BUSHING	1
3	6009875	ROTATION SHAFT	1
4	6009874	CONNECT PLATE	1
5	6009899	AXES	1
6	6000220	TORSION SPRING	1
7	6008627	ROPE GUIDING WHEEL	1
8	5002077	SHAFT ELATIC BIG RETAINING RING A-TYPE	1
9	5009035	SLOTTED SEMI-COUNTERSUNK SCREW	2
10	5009036	INNER HEXA CYLINDRICAL SCREW	4
11	5008123	HEXANGULAR NUT	4
12	5009101	STEEL WIRE	1
51			
ITEM	PART No	Description.	QTY
1	6008868	FIX SHAFT	1
2	6008869	BRAKE PLATE	1
3	5509081	BRAKE ASSEMBLY	1
4	6008867	BRAKE SPANNER	1
5	5008123	HEXANGULAR NUT	1
6	5002060	HEXANGULAR NUT	2
7	5004032	INNER HEXA CYLINDRICAL SCREW	5
8	5000018	FLAT WASHER	5
9	5008063	STANDARD SPRING WASHER	6



ITEM	PART №	Description.	QTY
1	6008586	PROTECTIVE PLATE	1
2	5010212	STPOKE SWITCH	1
3	5000099	CROSS PANHEAD SCREW	2
4	5000010	SCREW M4X10	2
5	5008001	NON-STANDARD PLAIN WASHER	1
6	5004009	INNER HEXA CYLINDRICAL	1
7	5010209	INNER HEXA CYLINDRICAL	4
8	5000018	FLAT WASHER	4
9	5004046	STANDARD SPRING WASHER	4
10	5000079	STANDARD SPRING WASHER	2
11	5010214	FLAT WASHER	2
12	6008706	PROTECTIVE HOOD SUPPORT	1
13	6008569	CONNECTING BRACKET	1
14	5008049	BOLT M6X40	1
15	5007001	NUT M6	1
16	5508138	PROTECTIVE HOOD	1
17	5508058	PROTECTIVE HOOD SPRING	1
18	5509054	PROTECTIVE CABLE	1
19	5000079	STANDARD SPRING WASHER	1



ITEM	PART No	Description.	QTY
1	5508032	CALIPER ASSEMBLY	1
2	6008580	SMALL CONE	1
3	6008582	LARGE CONE	1
4	6008581	MIDDLE CONE	1
5	5508026	BOWL	1
6	5509087	QUICK NUT ($\Phi 40$)	1
7	5508068	BALANCE HAMMAR	1
8	6000733	BOWL EDGE	1
9	6000735	WEIGHT (100G)	1
10	5506581	ACCESSORY BOX	1
11	5008505	ACCESSORY BOX CB956B	1
12	5506582	ACCESSORY SPACE	1
13	6008583	CONE-C	1



ITEM	PART №	Description.	QTY
1	6001491	SCALE SUPPORT WELDING	1
2	6001496	CUSHION COVER	1
3	6001493	GEAR	1
4	6001489	MEASURE HEAD	1
5	6001490	SCALE ROD	1
6	6001498	PINION	1
7	6001512	PROTECTIVE COVER	1
8	5508046	SLIDE RESISTOR	1
9	6001491	CUSHION COVER	1
10	6001497	BRACKET	1
11	6001521	EXTENSION SPRING BRACKET	1
12	6001526	WIDTH SCALE TORSION SPRING	1
13	6001524	STAY TUBE EXTENSION SPRING	1
14	6001520	SUPPORT	1
15	6001492	T-NUT	2
16	5509009	PILLAR	2
17	6001511	LONG BASE PLATE	1
18	6001510	PROTECTIVE SLEEVE	1
19	5002077	SHAFT ELATIC BIG RETAINING RING A-TYPE	2
20	5008071	INNER HEXA CYLINDRICAL SCREW	3
21	5001199	STANDARD SPRING WASHER	3
22	5000018	FLAT WASHER	3
23	5010088	INNER HEXA CYLINDRICAL SCREW	1
24	6001513	HEXANGULAR NUT	5
25	5001524	1-TYPE PREVAILING TORQUE TYPE HEXAGON LOCK NUT	1
26	5509074	INNER HEXA CYLINDRICAL SCREW	1
27	5010065	CROSS PANHEAD SCREW	1
28	5000079	STANDARD SPRING WASHER	2
29	5010214	FLAT WASHER	2
30	5008026	HEXANGULAR NUT 1-TYPE	1
31	5010235	CROSS PANHEAD SCREW	2
32	5008068	STANDARD SPRING WASHER	4
33	5008069	FLAT WASHER	2
34	5009036	INNER HEXA CYLINDRICAL SCREW	2
35	5004220	INNER HEXA CYLINDRICAL SCREW	1
36	5000010	CROSS PANHEAD SCREW	2
37	5008069	FLAT WASHER	2