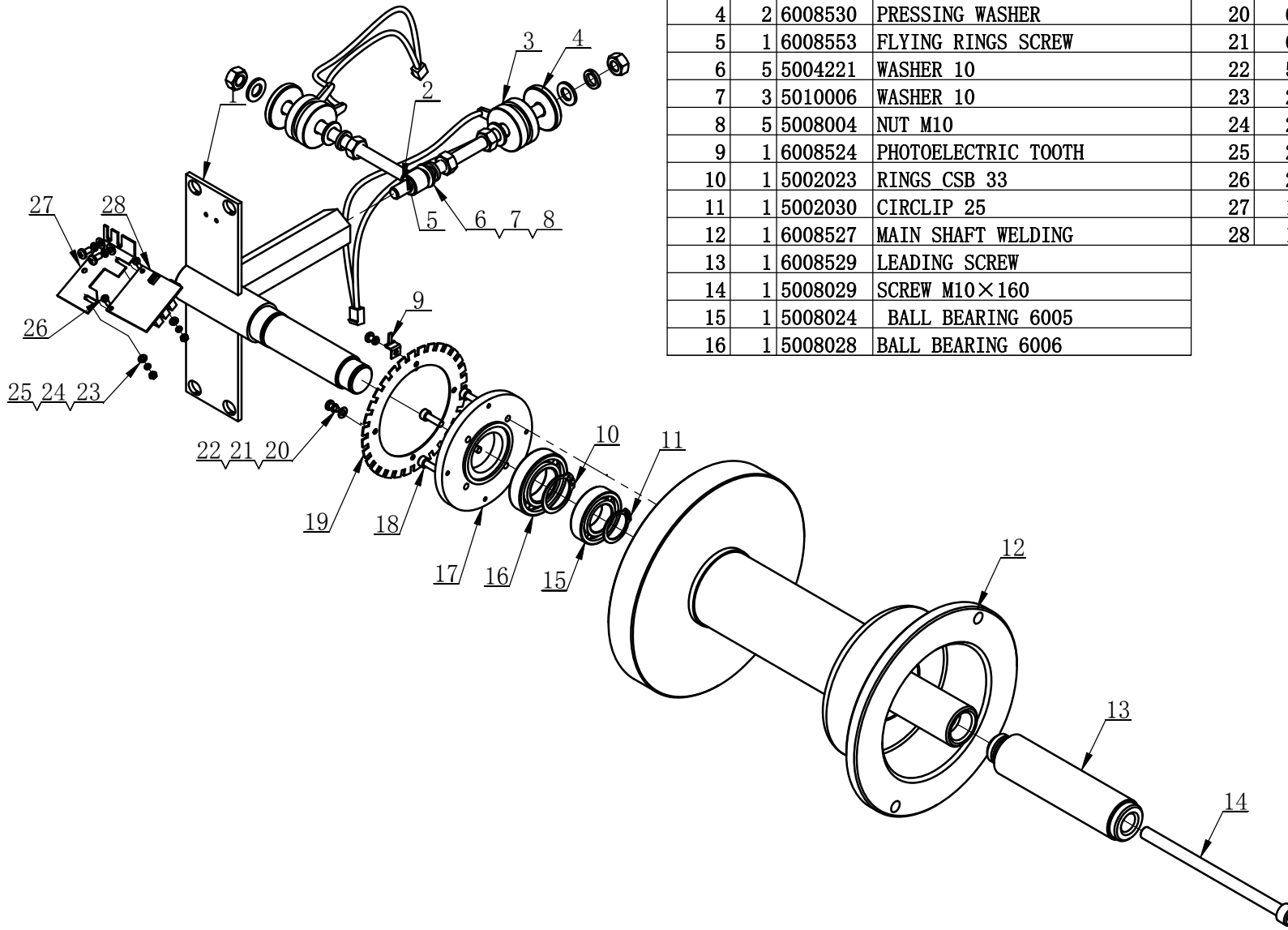


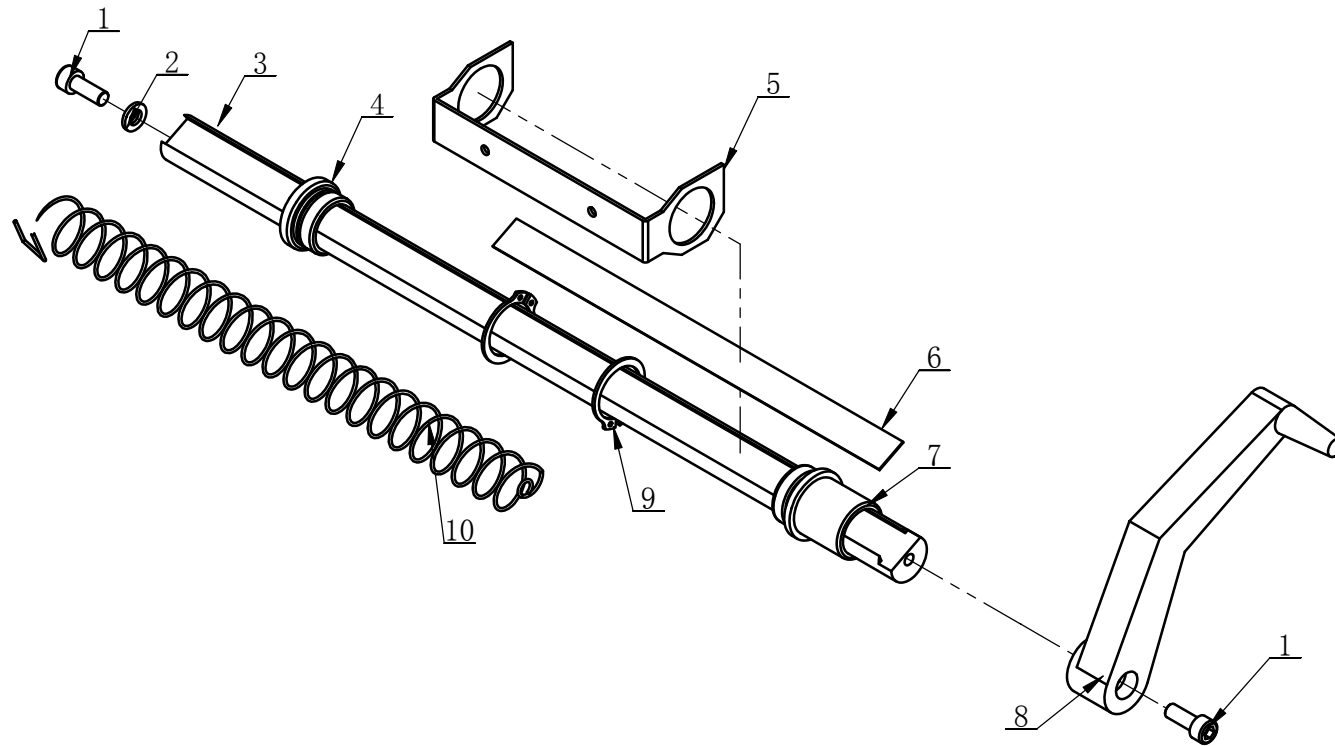
ITEM	QTY.	PART NO.	DESCRIPTION.	ITEM	QTY.	PART NO.	DESCRIPTION.
1	1	6008891	BODY	44	6	5508003	PLASTIC CLIPPER
2	2	5008050	SCREW M5×8	45	1	5509012	POWER SUPPLY BOARD
3	1	6008571	FRONT RETAINING PLATE	46	1	5508004	UNIVERSAL RESISTOR
4	1	6008518	BALANCING SHAFT ASSEMBLY	47	1	5508022	INSULATION WASHER
5	1	5508002	WEDGE BELT (940mm)	48	5	5008030	SCREWS M4×10
6	4	5004020	BOLT M10X25	49	1	5508029	RESISTANCE CLAMP
7	8	5010006	WASHER 10	50	2	5508006	CONE HANG HANDLE
8	8	5004221	WASHER 10	51	1	5502046	STOP-UP
9	1	5008009	SCREW M6×10	52	1	5508007	POWER SWITCH
10	5	5010058	WASHER 6	53	1	6008892	SUPPORT PLATE
11	5	5000007	WASHER 6	54	4	5509082	WEIGHT SANDBAG
12	1	6008566	MOTOR SEAT	55	6	5008008	SCREW M5×12
13	4	5009015	SCREW M6X16	56	1	6008517	SCALE ASSEMBLY
14	4	5010077	BOLT M8X20-N	57	1	5508074	CB920 WEIGHT TRAY
15	4	5004046	WASHER 8	58	1	5508075	CB920 PANEL
16	4	6008576	NON-STANDARD WASHER Φ8	59	1	5508055	COMPUTER BOARD (CB900. CB920)
17	1	6008503	MOTOR BELT PULLEY	60	1	5508076	CB920 DISPLAY BOARD
18	1	5508001	MOTER (220v)	61	4	5008052	SCREW M3X16
19	1	5508067	BALANCER CIRCULAR WIRE PLUG	62	21	5008026	NUT M3
20	1	5508058	PROTECTIVE HOOD SPRING	63	17	5010214	WASHER 3
21	1	5008049	BOLT M6X40	64	17	5000079	WASHER 3
22	1	5007001	NUT M6	65	4	5008032	SCREW M3X25
23	1	5008001	NON-STANDARD WASHER Φ11	66	1	5509054	PROTECTIVE WIRING
24	1	5006008	SCREWS M10X20-N	67	1	5509094	PANEL WIRING
25	1	5508009	STROLE SWITCH	68	1	5509089	PHOTOCELL BOARD CONNECTION LINE
26	9	5010040	WASHER 4	69	1	5509095	MAIN BOARD CONNECTION LINE
27	9	5000068	WASHER 4	70	1	5508060	SWITCH CONNECTION LINE
28	2	5010066	SCREW M4X30	71	1	5509096	DISPLAY PANEL CABLE
29	1	6008586	PROTECTIVE PLATE	72	1	6008900	ACCESSORY
30	2	5010235	SCREW M4X12				
31	4	5008003	SCREW ST5.5X25				
32	1	5508073	PROTECTIVE COVER A TYPE				
33	1	6008568	PROTECTIVE HOOD SUPPORTT				
34	4	5008071	SCREW M10X35				
35	1	6008567	PROTECTIVE HOOD SUPPORT				
36	1	6008570	CONNECTING PLATE				
37	1	6008851	COMPUTER BOARD				
38	1	5508005	TRANSFORMER 220V				
39	1	5508206	POWER CABLE				
40	1	5508011	DRAG RESISTANCE DEVICE				
41	5	5010065	SCREW M3X10				
42	1	6008843	RADIATOR FIN				
43	1	6008845	SUPPORT PLATE				

B-P.01.00.00A

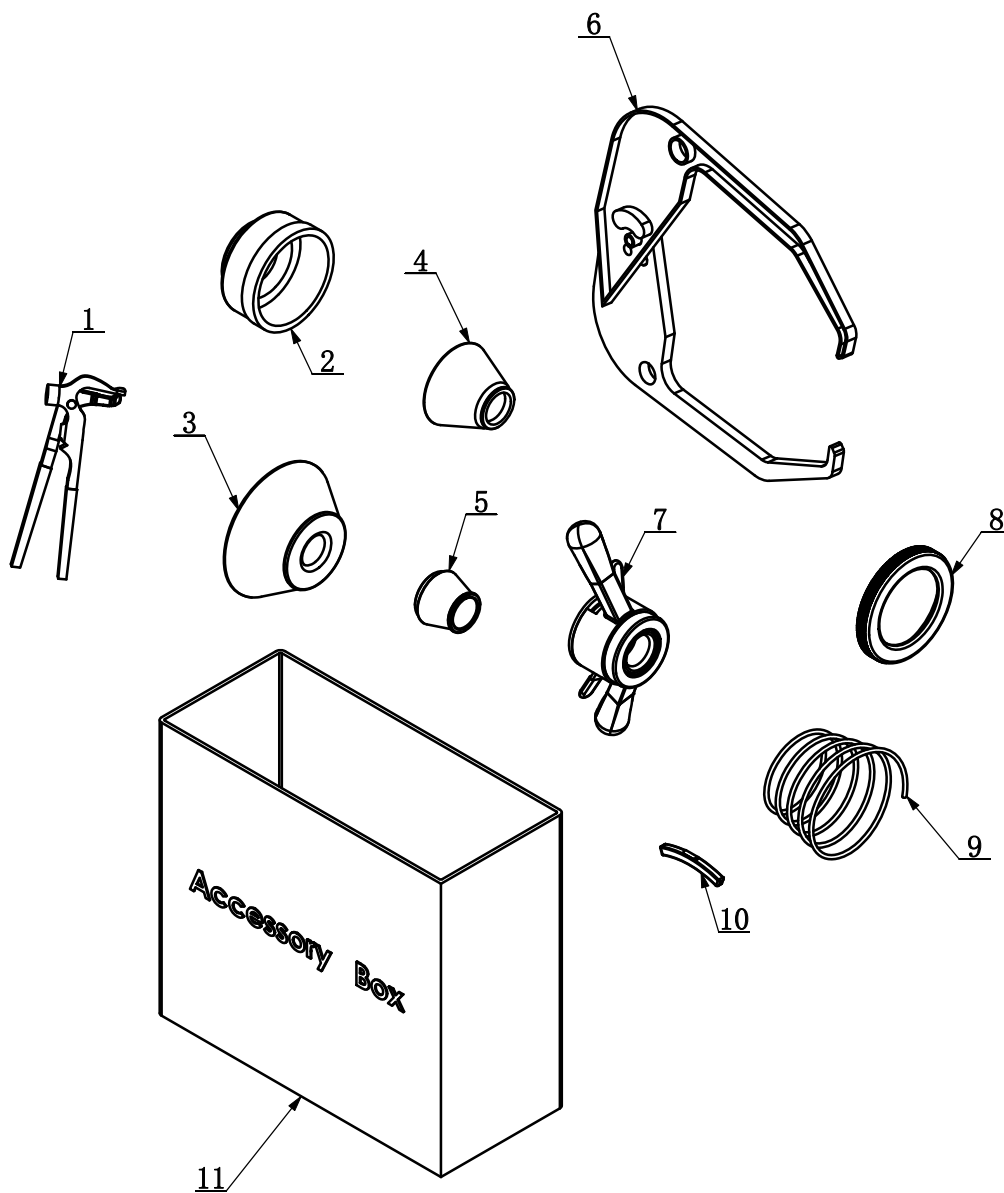


ITEM	QTY.	PART NO.	DESCRIPTION.	ITEM	QTY.	PART NO.	DESCRIPTION.
1	1	6008526	FIXING SHAFT WELDING	17	1	6008528	BEARING PRESS HOUSING
2	1	6008533	FULL BOTTON SCREW	18	4	5002059	SCREW M5X16-N
3	2	5508040	SENSOR	19	1	6008531	PHOTOELECTRIC SET
4	2	6008530	PRESSING WASHER	20	6	5008002	SCREW M4×8
5	1	6008553	FLYING RINGS SCREW	21	6	5000068	WASHER 4
6	5	5004221	WASHER 10	22	5	5010040	WASHER 4
7	3	5010006	WASHER 10	23	2	5010214	WASHER 3
8	5	5008004	NUT M10	24	2	5000079	WASHER 3
9	1	6008524	PHOTOELECTRIC TOOTH	25	2	5008026	NUT M3
10	1	5002023	RINGS CSB 33	26	2	5000078	SCREW M3×8
11	1	5002030	CIRCLIP 25	27	1	6008525	PHOTOELECTRIC CELL PLATE
12	1	6008527	MAIN SHAFT WELDING	28	1	5508041	ANGLE SENSOR-00.11.034
13	1	6008529	LEADING SCREW				
14	1	5008029	SCREW M10×160				
15	1	5008024	BALL BEARING 6005				
16	1	5008028	BALL BEARING 6006				

B-L.01.00



ITEM	QTY.	PART NO.	DESCRIPTION.
1	2	5009015	SCREW M6X16
2	1	5000007	WASHER 6
3	1	6008522	SCALE ROD
4	1	5508037	HARNESS
5	1	6008523	SCALE HANDLE
6	1	5508039	SCALE
7	1	5508038	HARNESS
8	1	5508036	SCALE HANDLE
9	2	5002030	CIRCLIP 25
10	1	5508035	SPRING



ITEM	QTY.	PART NO.	DESCRIPTION.
1	1	5508068	BALANCE HAMMAR
2	1	5508026	BOWL
3	1	6008536	LARGE CONE
4	1	6008535	MIDDLE CONE
5	1	6008534	SMALL1 CONE
6	1	5508032	CALIPER ASSEMBLY
7	1	5508023	QUICK NUT (Φ 36)
8	1	5508027	BOWL EDGE
9	1	5508025	SPRING
10	1	5508024	WEIGHT (100g)
11	1	5508069	ACCESSORY BOX