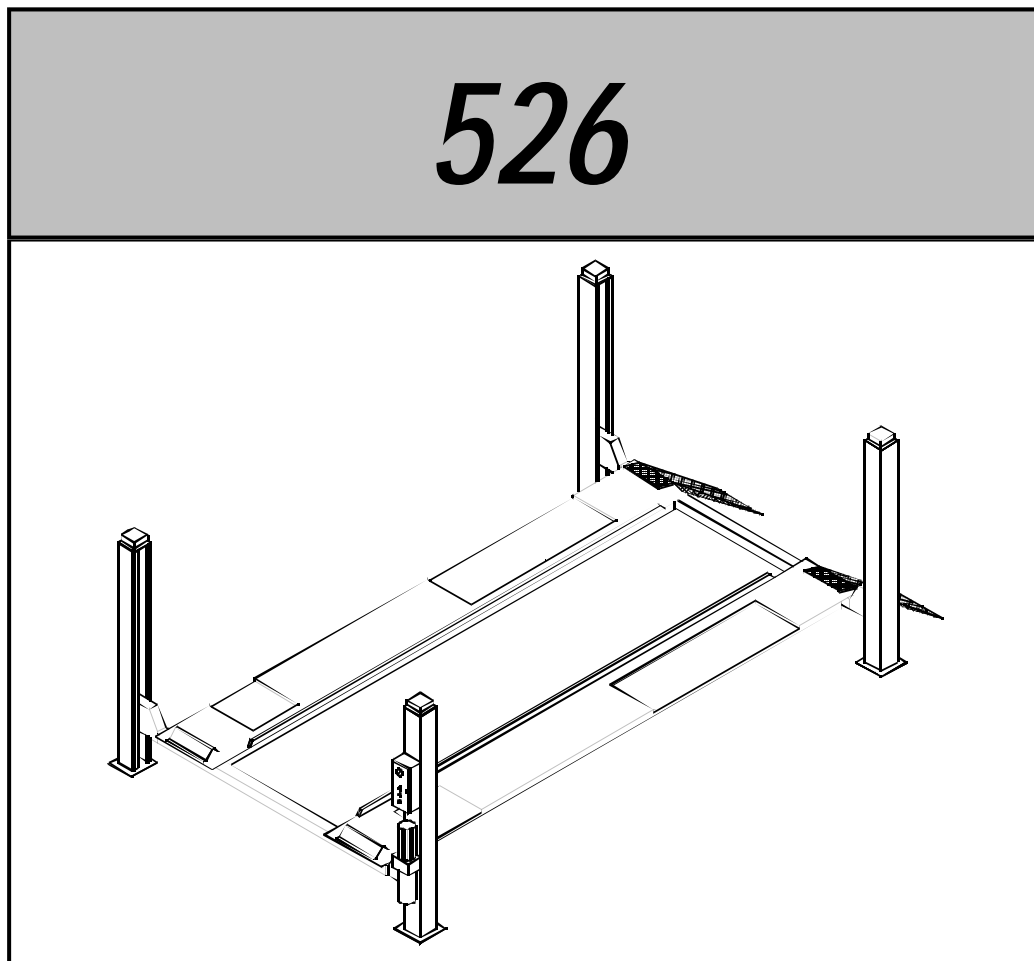


OMA

CE

526

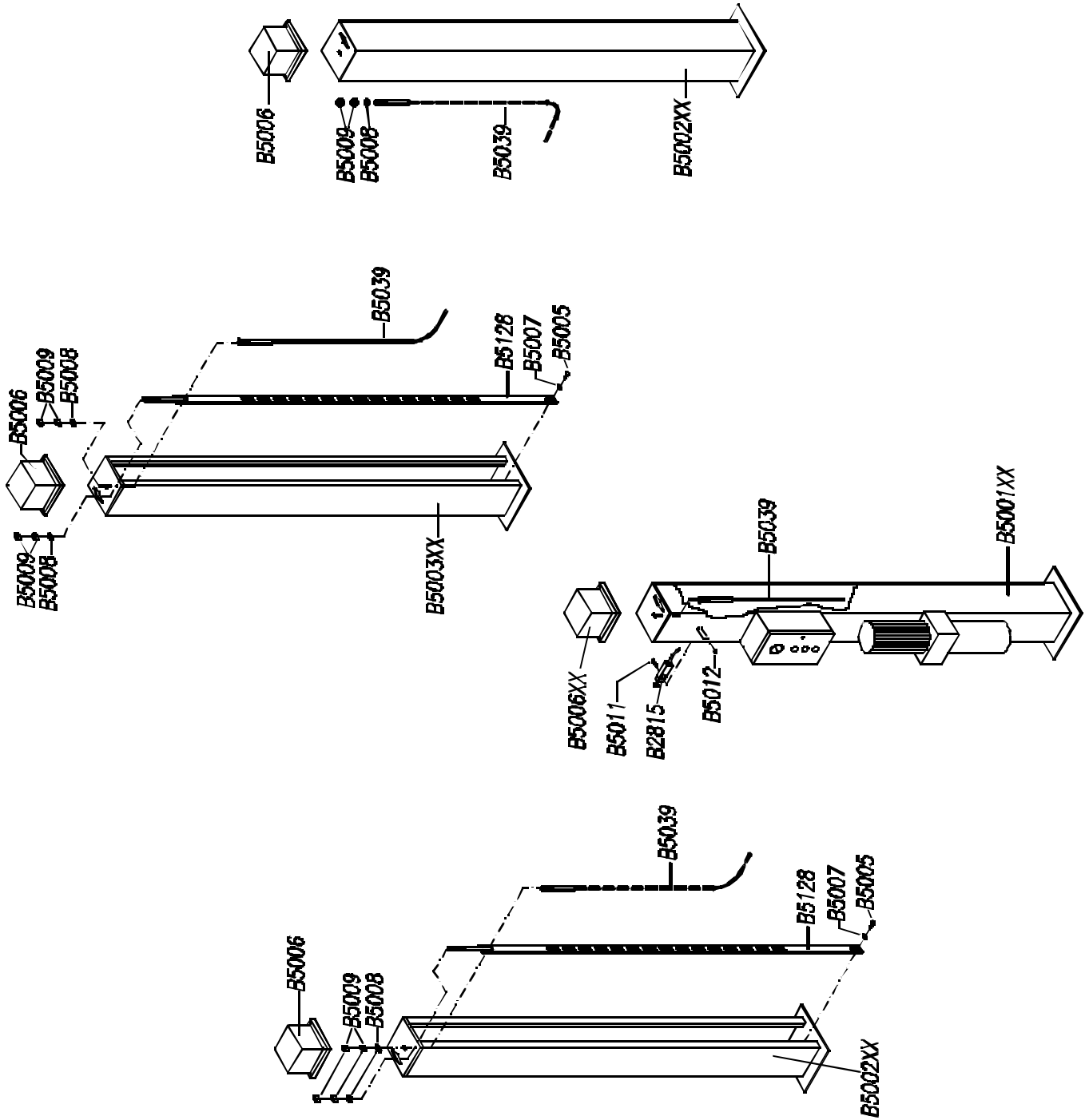


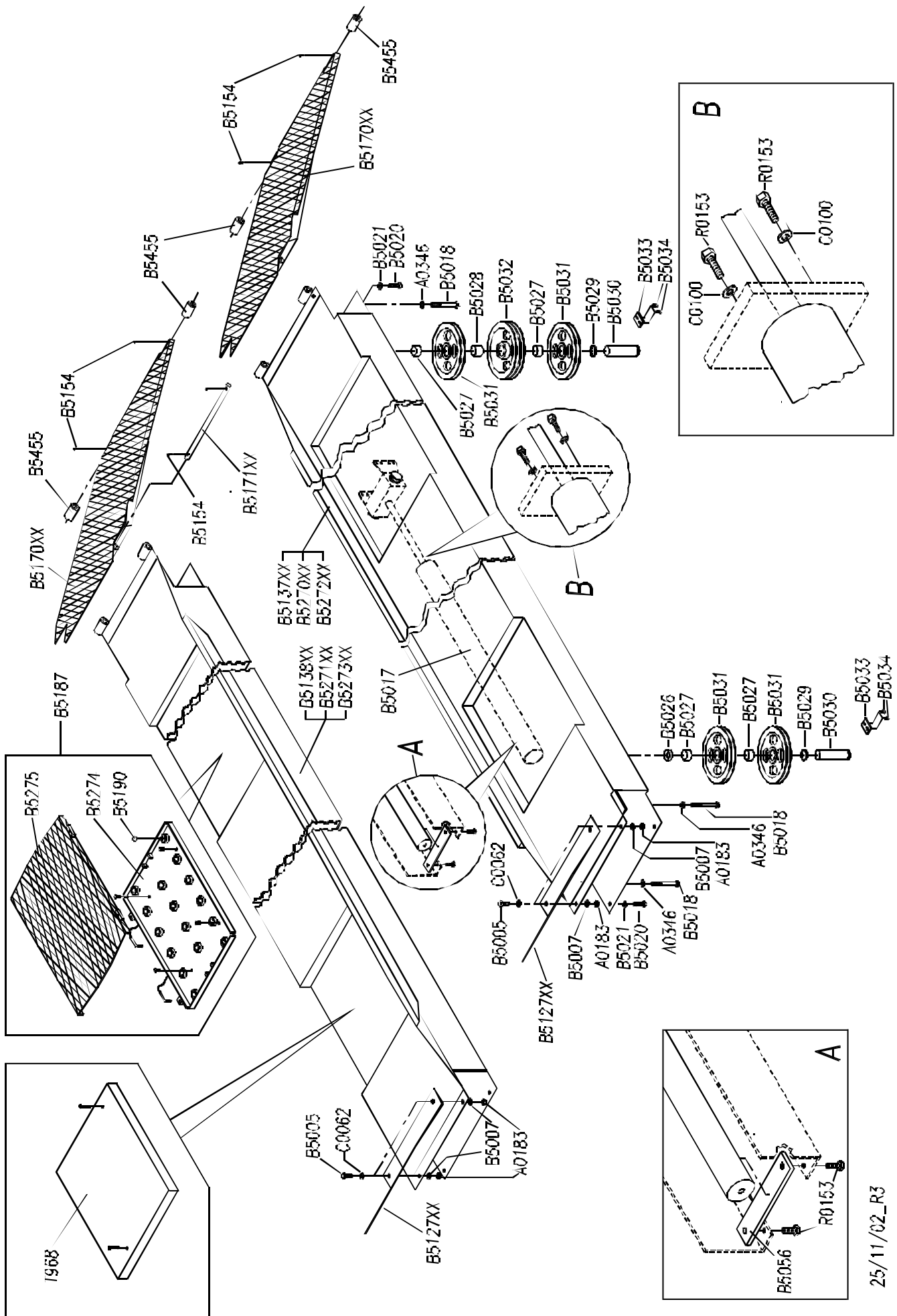
I

GB

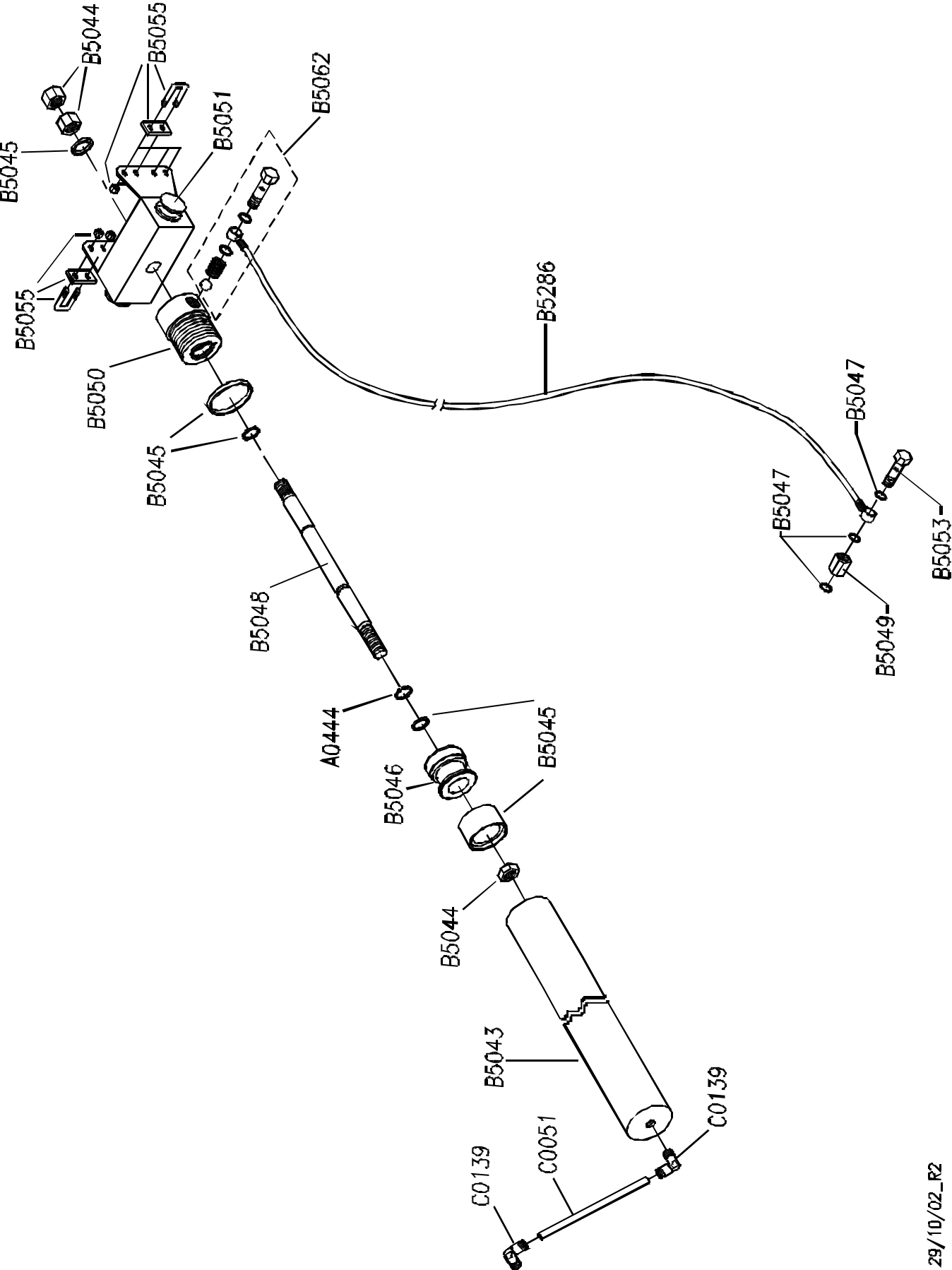
**PONTE
SOLLEVATORE A 4
COLONNE**

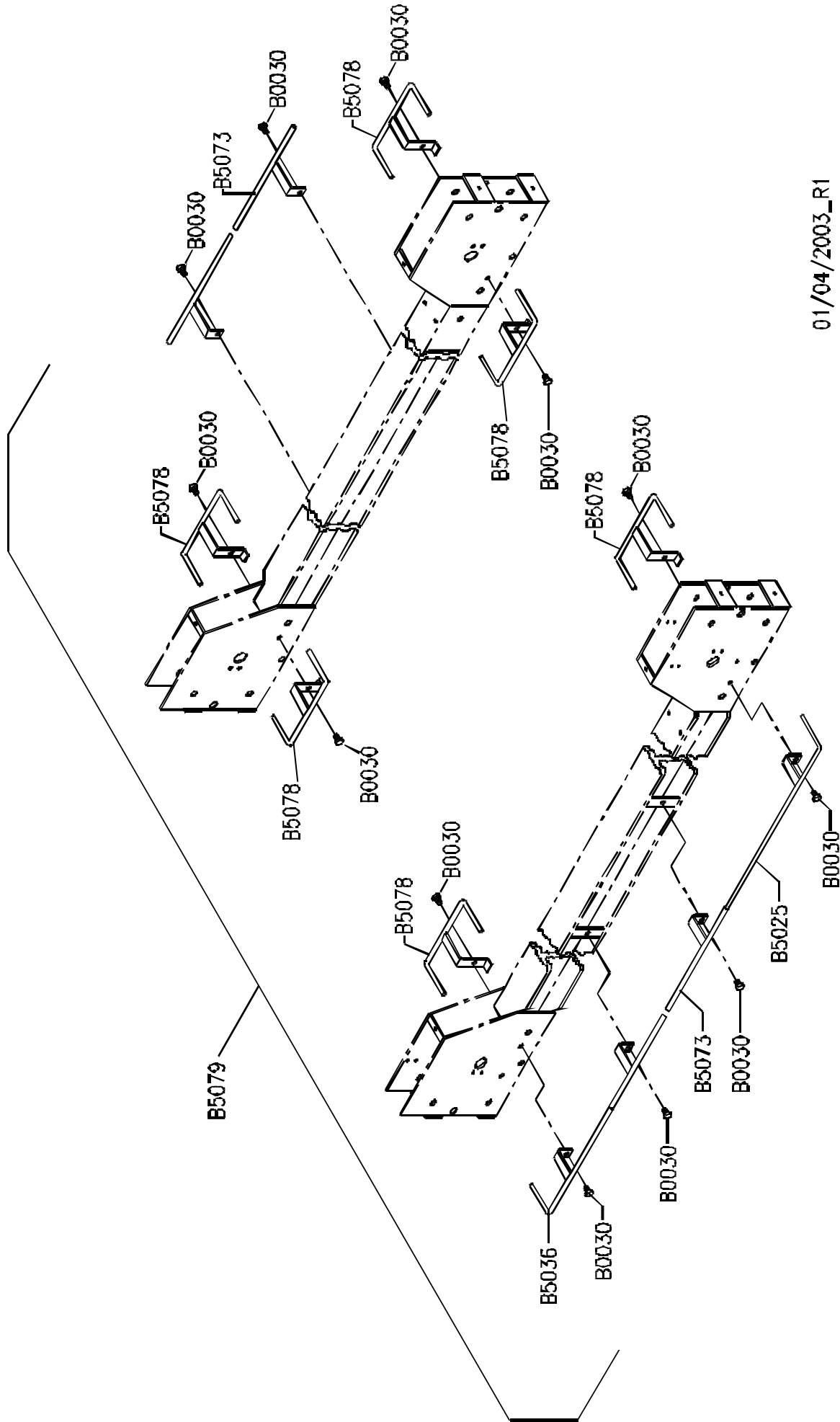
4-POST LIFT



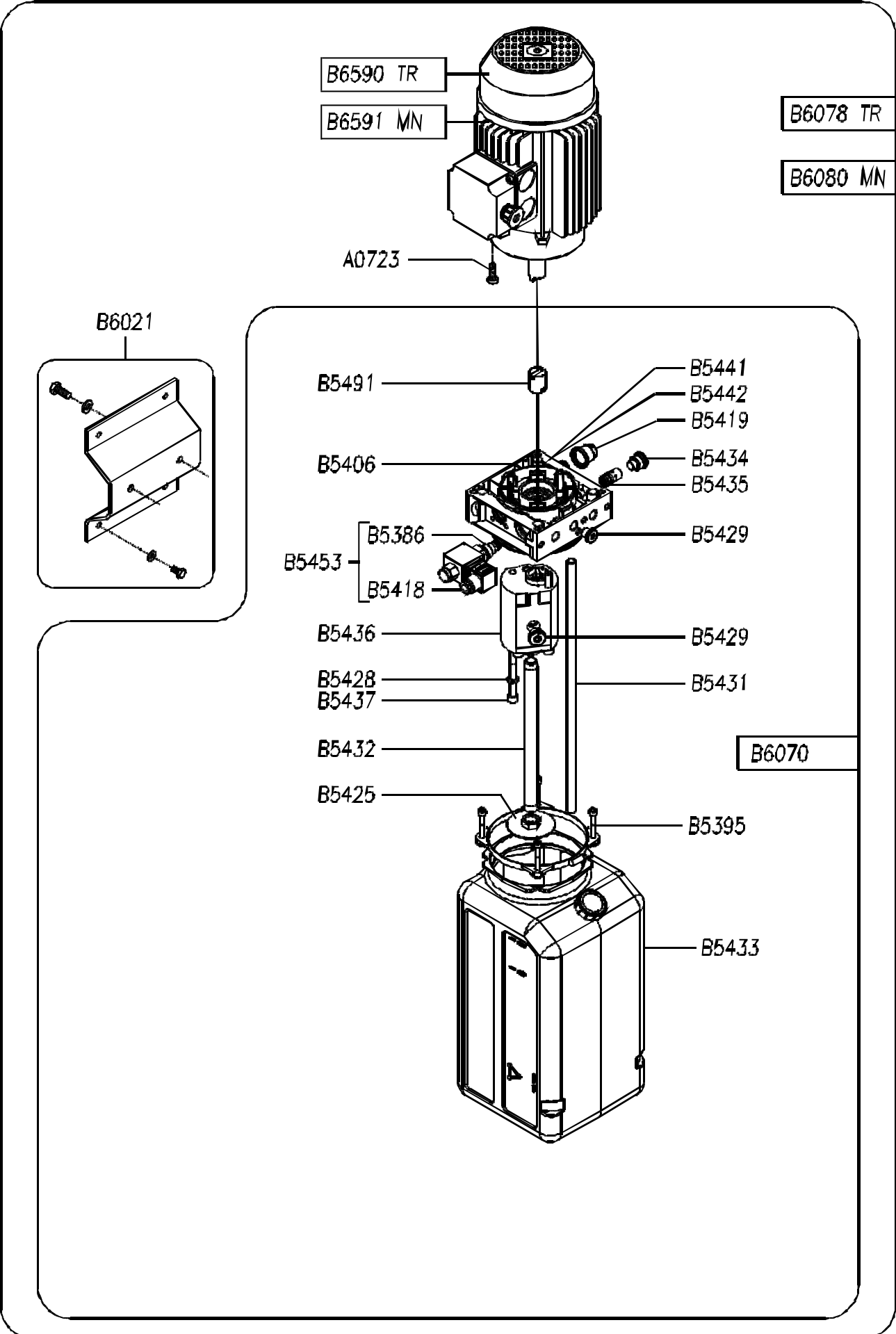


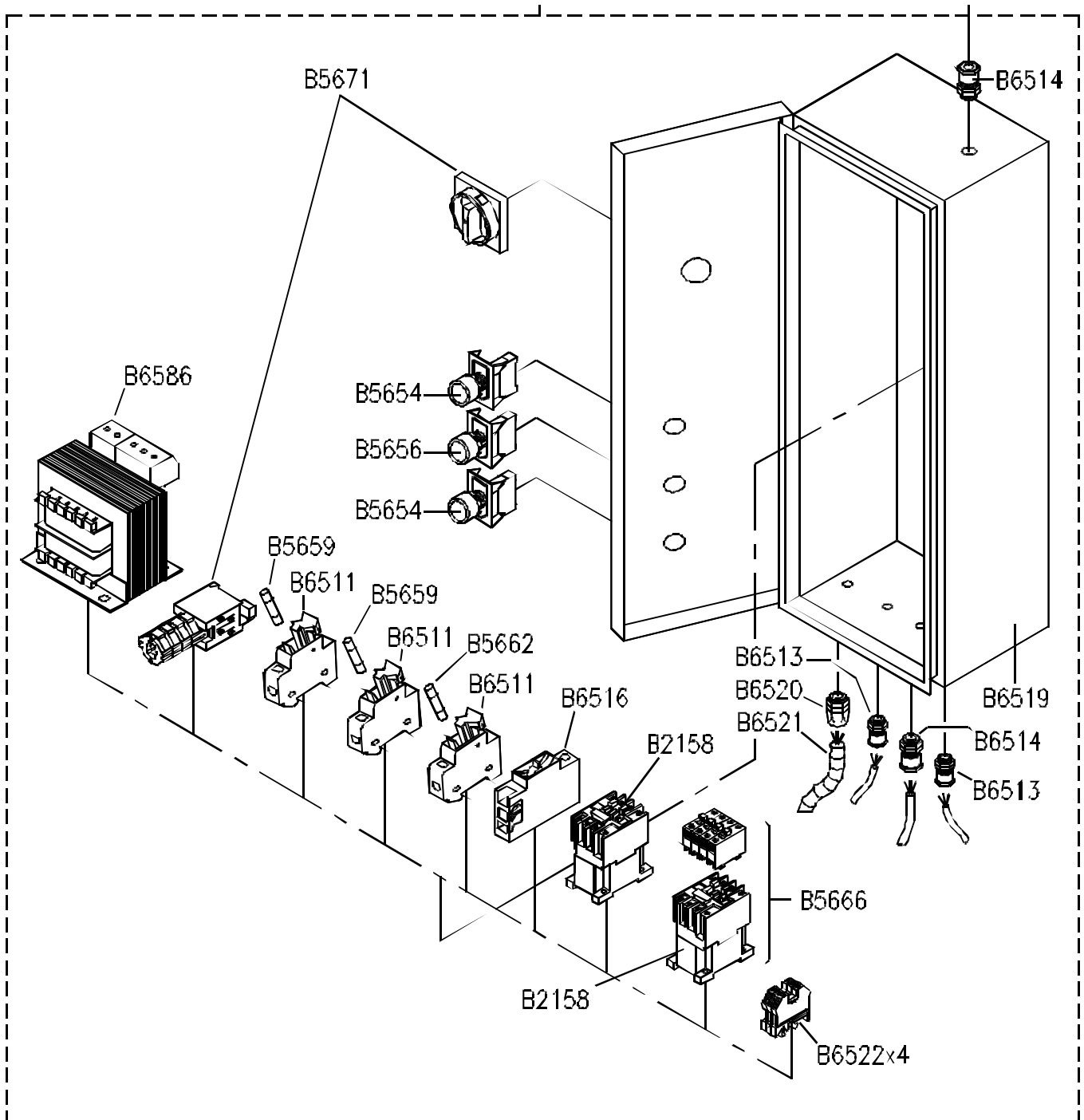
25/11/02_R3





01/04/2003_R1





Part Code	Sugg	Descrizione	Description
A0183		DADO M10 UNI 5588	NUT M10 UNI 5588
A0184		VITE TE M6X16 ZIN CA TA	SCREW TE M6X16 UNI 5739
A0185		SEE GER E18 UNI 7435	SNAP RING E18 UNI 7435
A0346		RON DEL LA P 12 X 24 UNI 6592	WAS HER 12 X 24
A0400		SEE GER E20 UNI 7435	SNAP RING E20 UNI 7435
A0444		SEE GER E25 UNI 7435	SEE GER E25 UNI 7435
A0723		VITE TCEI M8X20 UNI 5931	SCREW TCEI M8X20 UNI 5931
A0900		VITE TSPEI M6 X 18 UNI 5933	COUN TER SUNK FLAT SOC KET SCREW M6 X 18 UNI 5933
B0030		VITE TE M8X16 UNI 5739	SCREW TE M8X16 UNI 5739
B2158	*	TELERUTTORE TELEMECANIQUE LC1K0910B7 24V 50/60Hz	CONTACTOR TELEMECANIQUE LC1K0901B7 24V 50/60Hz
B2815	*	FINECORSASALITATIPOPIZZATOFR654	ASCENT LI MIT SWITCH TYPE PIZ ZA TO FR654
B2843	*	FINECORSASICUREZZATIPOPIZZATOFR1454	SAFETY SWITCH TYPE PIZ ZA TO FR1454
B2846		PULEG GIA Ø50 X SEN SORE FUNE	PUL LEY Ø50 X ROPE SEN SOR
B5001XX		COLONNA1:COMANDO	POST 1: CON TROL
B5002XX		COLONNA2-4	POST 2 - 4
B5003XX		COLONNA3	POST 3
B5005		VITE TE M10X25 UNI 5739	SCREW TE M10 X 25
B5006		CAPPELLOPLASTICA	PLASTICCOVER
B5007		RON DEL LA P 10 X 30 UNI 6593	WAS HER 10 X 30 UNI 6593
B5008		RON DEL LA P 21X37X3 UNI 6592	WAS HER Ø21X37X3 UNI 6592
B5009		DADO M20 UNI 5588	NUT M20 UNI 5588
B5011		VITE TCCE M5X35 UNI 5931	SCREW M5X35 UNI 5931
B5012		DADO CIE CO M5 UNI 5721	BLANK NUT M5 UNI 5721
B5017		CILINDROCOMPLETO	COMPLETECYLINDER
B5018		VITE TE M12 X 100 UNI 5737	H.H. SCREW M12 X 100 UNI 5737
B5020		VITE TE M12X25 UNI 5739	SCREW TE M12X25 UNI 5739
B5021		RON DEL LA DE Ø12 DIN 6798 A	WAS HER OD Ø12 DIN 6798 A
B5023		PERNOAZIONAMENTOT.L.O.W435	OP POSITE SIDE CROSS PIN
B5025		SALVAPIEDETRAVERSADX	FOOTPROTECTIONDX
B5026	*	DISTANZIALE	SPACER
B5027	*	BRON ZI NA Ø 40 X 44 X 20 MBI - CB85 - 4020	BUSHING Ø 40 X 44 X 20 MBI - CB85 - 4020
B5028	*	BRON ZI NA Ø 40 X 44 X 30 MBI - CB85 - 4030	BUSHING Ø 40 X 44 X 30 MBI - CB85 - 4030
B5029	*	DISTANZIALE	SPACER
B5030	*	PERNO	PIN
B5031	*	PU LEG GIA 1 GOLA Ø 230 X 25	1- RACE PUL LEY Ø 230 X 25
B5032	*	PU LEG GIA 2 GOLA Ø 230 X 31	2- RACE PUL LEY Ø 230 X 31
B5033		LAMAFERMAPERNO	PIN STOPPING PLATE
B5034		VITE TSPEI M8X12 UNI 5933	SCREW TSPEI M8X12 UNI 5933
B5035		TIRANTEMAGNETE430	MA GNET TIE ROD
B5036		SALVAPIEDETRAVERSASX	FOOTPROTECTIONSX
B5039		FUNE	ROPE
B5041		TIRANTEPERNOAZIONAMENTODX	RIGHT PIN BOLT
B5043		CILINDRO	CYLINDER
B5044		DADO M M22 X 1,5 UNI 5588	NUT M22 X 1.5 UNI 5588
B5045	*	KITGUARNIZIONICILINDRO	CYLINDERGASKETKIT
B5046		STANTUFFO	PISTON
B5047		RONDELLADITENUTA+GUARNIZIONE 1/4"	GAS KET WITH 1/4" SEAL
B5048		STELO	ROD
B5049		PROLUNGAM-F 1/4"	EXTENSION

B5050		TESTATA	CYLINDER HEAD
B5051		GIOGO	BEAM
B5053	*	VITE FORATA 1/4	SCREW 1/4
B5055		MORSETTO	CLAMP
B5056		APPOGGIOCILINDRO	CYLINDER SUPPORT
B5057	*	PU LEG GIA 1 GOLA 230 X 40+BRONZ.MBI C85-4040	1- RA CE PUL LEY 230 X 40+BUSHING
B5059	*	DISTANZIALE Ø40 X 9	SPA CER Ø40 X 9
B5060	*	DISTANZIALE Ø40X27	SPA CER Ø40X27
B5061		AZIONATORE FINE CORSA	LIMIT SWITCH ACTUATOR
B5062	*	KIT VALVOLABLOCCACILINDRO	CYLINDER SAFETY VALVE ASSEMBLY
B5063		TIRANTE PER NO AZIONAMENTO SX	LEFT PIN BOLT
B5067		SEE GER E20X2 UNI 7436	RE TAINING RING E20 UNI 7436
B5068		PERNO ANTISCARRUCOLAMENTO Ø16 X 101	SA FE TY PIN Ø16 X 101
B5069		PERNO GUIDA AASTE DI SICUREZZA	SA FE TY ROD PIN
B5070		PER NO Ø20 X 101	PIN Ø20 X 101
B5071		PERNO PULEGGIE TRAVERSE Ø40 X 104	CROSSPI E CE PUL LEY PIN Ø40 X 104
B5073		SALVAPIEDE TRAVERSALO.	OPE RATOR SIDE CROSSPI E CE FOOT PRO TEC TION
B5074		DADO M5 UNI 5588	NUT M5 UNI 5588
B5075		PATTINO LATERALE Ø35 X 10	SIDE SLI DING PAD Ø35 X 10
B5076	*	PATTINO POSTERIORE Ø35 X 17	REAR SHOE Ø35 X 17
B5078		SALVAPIEDE LATERALE TRAVERSE	CROSSPI E CE SIDE FOOT PROTECTION
B5079		KIT SALVAPIEDI TRAVERSE	CROSSPI E CES FOOT PROTECTION KIT
B5080		TIRANTE TASTAFUNE	ROPE -FE ELER TIE ROD
B5085		DA DOBLK BAS SO M6 6S. UNI 7474	SELF- LOCKING NUT M6
B5087		MOLLARICHIAMO MARTELLETTI	WEDGE RE TURN SPRING
B5088		DADO BLOK M8 UNI 7474	NUT M8 UNI 7474
B5089XX		TRAVERSAL.C.	L.C. CROSSBEAM
B5098XX		TRAVERSALO.	L.O. CROSSBEAM
B5108		MOR SET TO PER CAVO Ø2,5 MM.	CABLE CLAMP Ø2.5 MM
B5109	*	ELETTROMAGNETE "WARNER" TT1024VAC	ELEC TROMAGNET "WARNER" TT1024VAC
B5113		MOR SET TIE RAMMUTH 4 POLIT.L.C.	CONTROL SIDE CROSSPI E CE 4- POLE TERMINAL BOARD
B5116		TIRANTE PIEGATO	BENT TIE ROD
B5117		SENSORE TASTAFUNE DX	RIGHT ROPE -FE ELER SEN SOR
B5119		SENSORE TASTAFUNE SX	LEFT ROPE -FE ELER SEN SOR
B5120		SCATOLA DI DERIVAZIONE T.L.O.	OPERATOR SIDE CROSSPI E CE CONNECTOR BLOCK
B5122		MOR SET TIE RAMMUTH 2 POLIT.L.C.	CONTROL SIDE CROSSPI E CE 2- POLE TERMINAL BOARD
B5124		MARTELLETTI DI SERVIZIO DX	RIGHT AUXILIARY WEDGE
B5125		MARTELLETTI DI SERVIZIO SX	LEFT AUXILIARY WEDGE
B5126XX		CARTER PROTEZIONE MAGNETI	MAGNET PROTECTION CRANKCASE
B5127XX		FERMARUOTE	WHEEL STOP
B5128		ASTA DI SICUREZZA (SGANCIO ELETTRICO)	SA FE TY ROD (ELECTRICAL UNLOCKING)
B5137XX		PE DANA L.C. PER ASSETTO ANTERIORE	COMMAND SIDE PLATFORM FOR FRONT ALIGNMENT
B5138XX		PEDANA L.O. PER ASSETTO ANTERIORE	OPPOSITE SIDE PLATFORM FOR FRONT ALIGNMENT
B5154		COPIGLIA 3X40 UNI 1336	ZINC- PLA TED COTTER PIN Ø3X40
B5157		QUADRO EL. COMPLETO TRIFASE 400V	THREE- PHASE COMPLE TE CONTROL PANEL 400V
B5170XX		RAMPADISALITA	LIFT RAMP
B5171		PERNO CERNIERA	HINGE PIN

B5187		PIASTRA OSCILLANTE COMPL.450AT	COMPLETE OSCILLATING PLATE
B5190		SFERA PIAST.OSCIL.D.25,4 450AT	SPHERE
B5270XX		PE DA NA L.C. SENZA INCAVI	COMMAND SIDE PLATFORM WITHOUT RECESS
B5271XX		PE DA NA L.O. SENZA INCAVI	OPPOSITE SIDE PLATFORM WITHOUT RECESS
B5272XX		PE DA NA L.C. PER ASSETTO TOTALE	COMMAND SIDE PLATFORM FOR TOTAL ALIGNMENT
B5273XX		PE DA NA L.O. PER ASSETTO TOTALE	OPPOSITE SIDE PLATFORM FOR TOTAL ALIGNMENT
B5274		PIASTRA OSCILLANTE INFERIORE	LOWER PLATE
B5275		PIASTRA OSCILLANTE SUPERIORE	UPPER PLATE
B5286	*	TUBOFLESSIBILEMANDATAOLIO	OIL DELIVERY HOSE
B5386		VALVOLA CE1-NC-EM	VALVE
B5395		KIT FISSAGGIO SERBATOI IN PVC	TANK FASTENING KIT
B5418		BOBINA 24V 50/60HZ+CONNETTORE	COIL
B5419		TAPPO X PIOMBATURA VM15	PLUG
B5425		FILTRO ASPIRAZIONE 3/8"	AIR FILTER
B5428		RONDELLA GROWER 8,4 UNI1751 ZB	WASHER
B5429		TAPPO DIN 908 1/4+RONDELL.RAME	PLUG
B5431		TUBO DI SCARICO M12X1 L=300	DRAIN PIPE
B5432		TUBO ASPIRAZ.VERTIC.L=240	SUCTION PIPE
B5433		SERBAT.L9 PVC NERO CENTR.K3	TANK
B5434		TAPPO TC4 X VALV.3/4"-16UNF	PLUG
B5435		VALVOLA STF14P 9L/MIN	VALVE
B5436		POMPA 18 10A5X348N 5CC/REV	PUMP
B5437		VITE TCCE M8X100 UNI 5931 ZB	SCREW
B5441		VALVOLA DI RITEGNO 3/8" KE	CHECK VALVE
B5442		VALVOLA DI MASSIMA15 80-250BAR	MAX. PRESSURE VALVE15 80-250BAR
B5453		ELETTOVALVOLA COMPLETA CENTRALINA K3	COMPLETE ELECTRO-VALVE HYDRAULIC POWER K3
B5455		RULLO RAMP	RAMP ROLLER
B5484		CARTER DX	CARTER DX
B5485		CARTER TRAVERSE	CROSSPIECE CRANKCASE
B5491		GIUNTO POMPA K3	CONNECTING PUMP K3
B5654	*	PULSANTE NERO + 1 ELEM. CONT. N.O.	BLACK PUSH-BUTTON + 1 N.O. CONTACT
B5656	*	PULSANTE GRIGIO + 1 ELEM. CONT. N.O.	GREY PUSH-BUTTON + 1 N.O. CONTACT
B5659	*	FUSIBILE RITARDATO 10X38 2A aM	FUSE 10X38 2A aM
B5662	*	FUSIBILE RAPIDO 10X38 4A gG	FUSE 10X38 4A gG
B5666	*	TELERUTTORE TELEMECANIQUE LC1D12+LA1DN11	CONTACTOR TELEMECANIQUE LC1D12+LA1DN11
B5671		INTERRUTTORE GENERALE	MAIN SWITCH
B6021		KIT STAFFA SUPPORTO	SUPPORT BRACKER KIT
B6070		CENTRAL.K3 4 COLONNE	GEARCASE
B6078		CENTRAL.K3/T COMPL.2,2KW 4COLON.	GEARCASE
B6080		CENTRAL.K3/M COMPL.2,2KW 4COL	GEARCASE
B6511		PORTA FUSIBILE 10X38 WIMEX PCH1	FUSE CARRIER 10X38 WIMEX PCH10X38
B6513		PASSACA VOGE WISS PG9	CABLE CLAMP GE WISS PG9
B6514		PASSACA VOGE WISS PG11	CABLE CLAMP GE WISS PG11
B6516	*	INTERRUTTORE MAGNETICO 20A TYPE C	MAGNET SWITCH 20A TYPE C
B6518		CONTATTO AUSILIARIO SPRECHER CA3P01	AUXILIARY CONTACTS SPRECHER CA3P01
B6519		CASSETTA	BOX
B6520		PASSAGUAINA GE WISS Ø16MM	SHEATH HOLDER GE WISS Ø16MM
B6521		GUAINA Ø16MM DI FLEX	SHEATH Ø16MM DI FLEX
B6522		MORSETTO SPRECHER VU4-4	TERMINAL SPRECHER VU4-4
B6586	*	TRASFORMATORE 230-400/24V 300VA 50/60Hz	TRANSFORMER 230-400/24V 300VA 50/60Hz

B6590		MOTORE TRIFASE 230/400V 50HZ 2,2KW-K3	MOTOR 3PHASE 230/400V 50HZ 2,2KW-K3
B6591		MOTORE B14 MN 230V 50HZ 2,2KW-K3	MOTOR B14 SINGLE PHASE 230V 50HZ 2,2KW-K3
C0043		VITE TE M6X10 UNI 5739	SCREW TE M6X10 UNI 5739
C0051		TUBO RIL SAN 6X4 NERO	RIL SAN HOSE D.6X4
C0061		VITE TE M8X10 UNI 5739	SCREW TE M8X10 UNI 5739
C0062		RONDELLA Ø10,5X21 UNI 6592	WASHER Ø10,5X21
C0099		VITE TE 6X20 8.8 UNI 5739	SCREW M6X20 - 8.8
C0100		RONDELLA Ø8,4X17 UNI 6592	WASHER Ø8,4X17 UNI 6592
C0139		RACCORDO "L" 1/4" M X TUBO Ø 6	L- SHA PED COU PLING 1/4" M FOR PIPE Ø 6
C0617		RONDELLA Ø6,4X12,5 UNI 6592	WASHER Ø6,4X12,5 UNI 6592
R0153		VITE TE M8X25 UNI 5739	HH SCREW M8X25 UNI 5739
T968		COPERTURA ANTERIORE	FRONT PLATE
Z_ZCONS		*=RICAMBICONSIGLIATI	*=RECOMMENDED SPARE PARTS