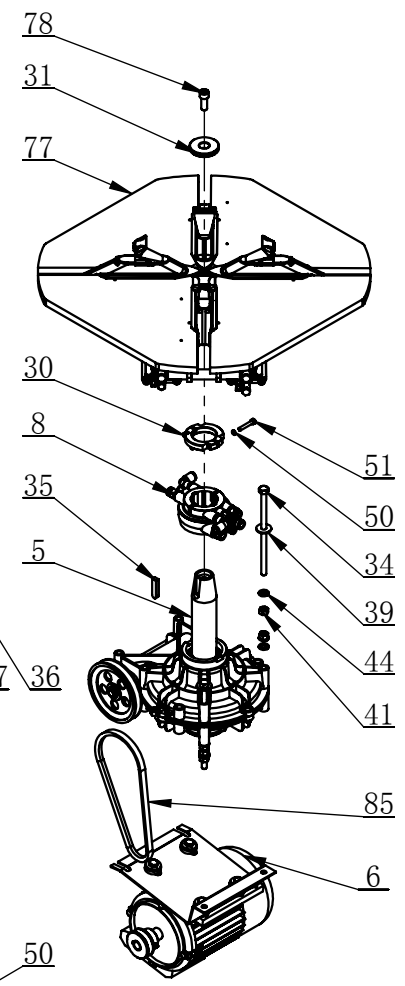
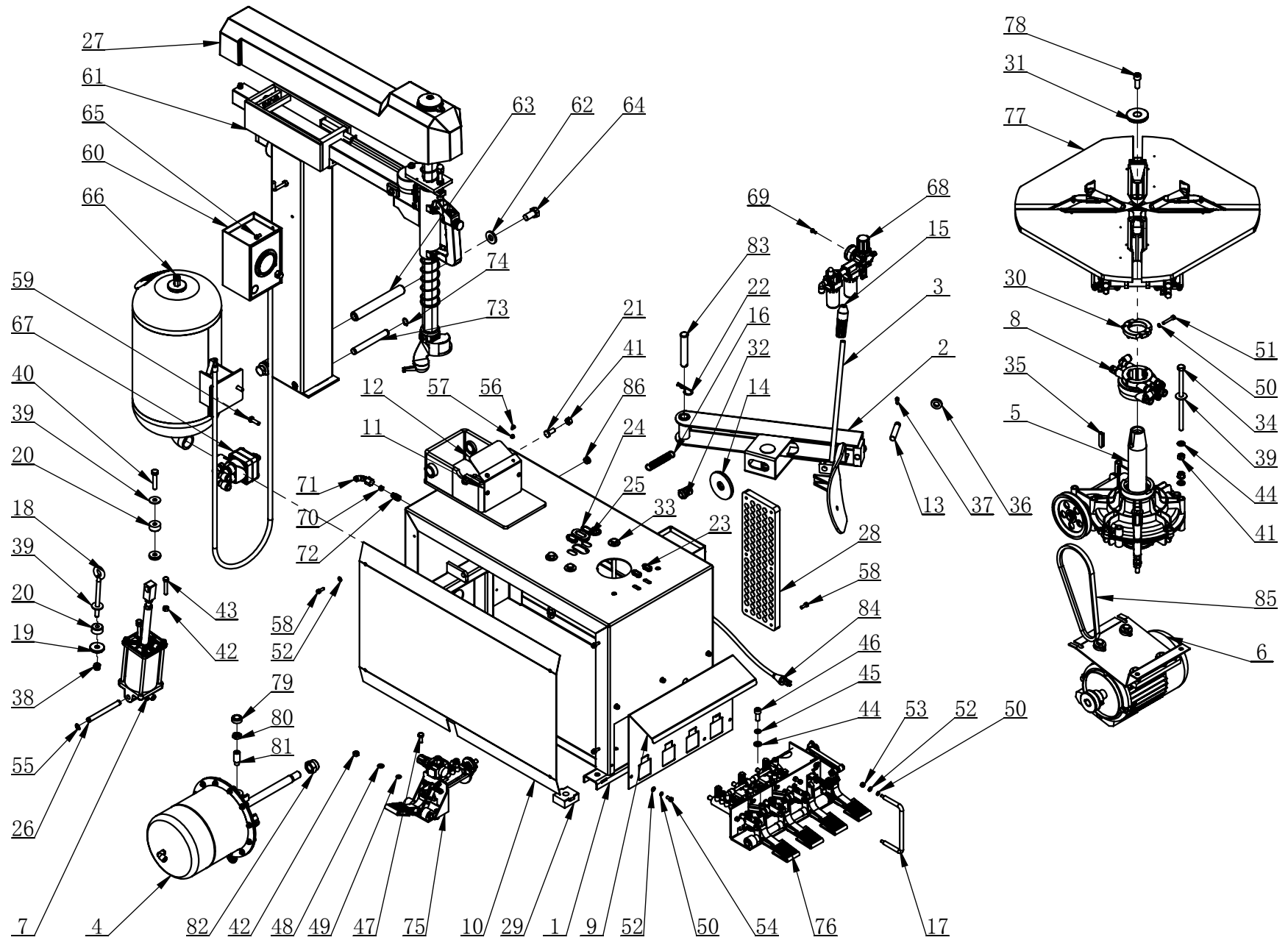
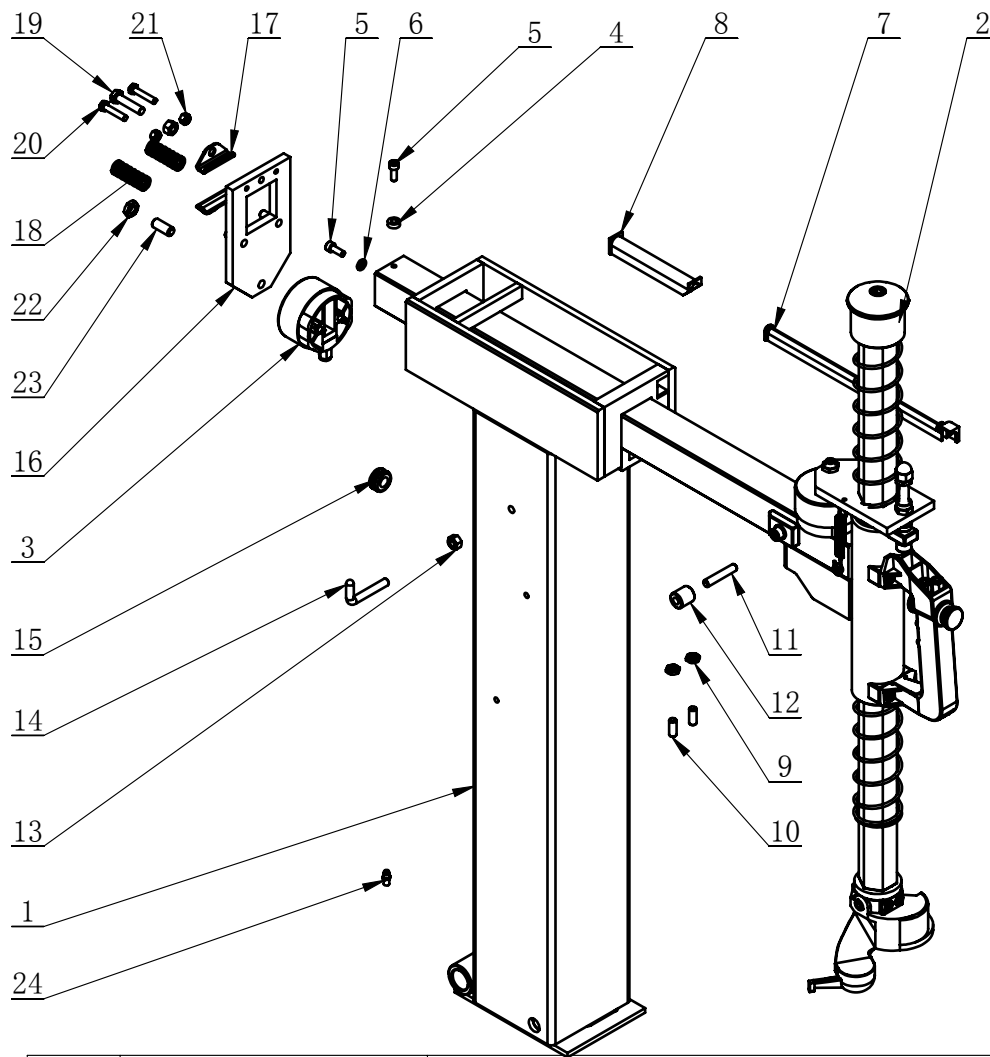


ITEM	PART. No	DESCRIPTION.	QT. Y
1	C-7C-9100000	PACKAGE	1
2	C-7C-1000000	885IT E	1
3	GB16824. 1-ST8×50 C	HEXA FLANGE TAPPING SCREW	6
4	GB96. 2-8	LARGE WASHER C GRADE	4
5	C-70-9000003	PACKAGE SPACER	4
6	C-70-9000004	SPACER PACKAGE	1
7	C-70-9000002	PACKAGE SCREW WASHER	1
8	C-70-9000001	PACKAGE HOOK	1
9	C-70-8000000	ACCESSORY BOX	1

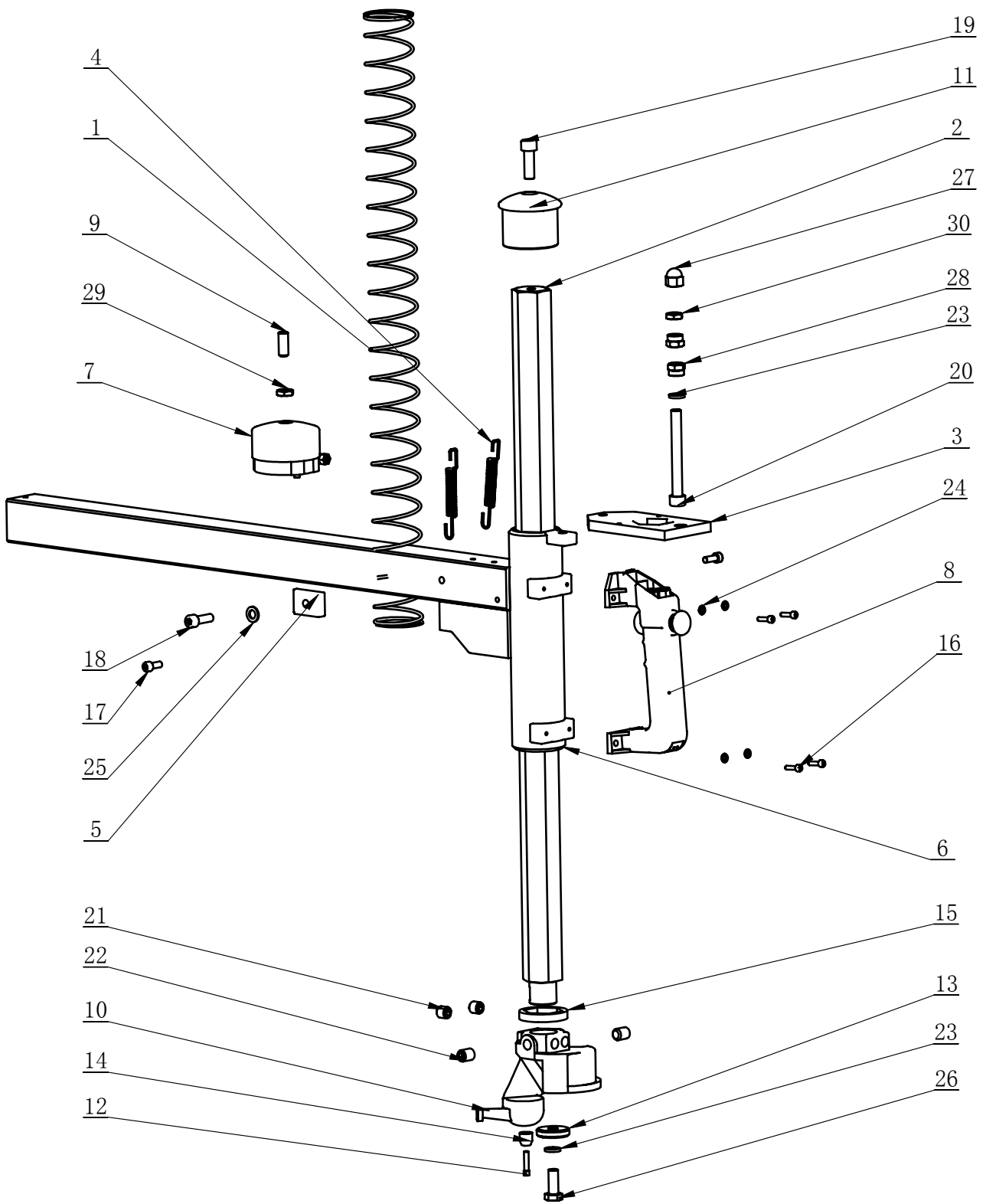


ITEM	PART. No	DESCRIPTION.	QT. Y
1	C-7C-1100000	BODY WELDING	1
2	CT-B-4000000	BEAD BREAKING ARM ASSEMBLY	1
3	CT-C-3100000	BEAD BREAKER BLADE	1
4	CT-LS-2000000	BEAD BREAKER CYLINDER ASSEMBLY	1
5	CT-J-4100000	GEARBOX ASSEMBLY	1
6	CT-DJ-0212112	MOTOR ASSEMBLY	1
7	CT-XD-3000000	PULL-OUT CYLINDER D80X80	1
8	CT-Q-2000000	AIR GUIDER ASSEMBLY	1
9	C-7C-1000001	PROTECTIVE COVER	1
10	C-7C-1000002	SIDE PANEL	1
11	C-7C-1000003	PROTECTIVE PLATE	1
12	C-7C-1000004	RUBBER PLATE	1
13	CT-C-3000001	ROTATION SPINDLE	1
14	C-10-1000003	RUBBER PLATE	1
15	C-54-1300011	HANDLE COVER	1
16	CT-B-3000001	SPRING	1
17	C-90-1000012	PROTECTIVE ROD	1
18	GT885. 03. 17	CONNECTION ROD	1
19	TB-P-0100005	WASHER	1
20	C-70-1000013	WASHER $\Phi 30 \times \Phi 10 \times 15$	2
21	C-70-1000005	BOLT	2
22	C-01-100000B	CIRCLIP	1
23	GT895. 00. 20	PLUG A	2
24	GT895. 00. 18	PLUG C	2
25	GT895. 00. 19	PLUG B	1
26	C-70-1000004	PIN SHAFT	1
27	C-70-1000007	PROTECTIVE COVER	1
28	C-10-1000001	RIM SUPPORT	1
29	C-54-1000005	RUBBER FOOT	4
30	CT-Q-0000001	CLAMP RING	1
31	CT-Y-0100001	PRESS COVER	1
32	C-01-1000004	CABLE CONNECTOR	1
33	GB/5781-M10×160	HEXANGULAR BOLT	2
34	GB5780-M10X200	HEXANGULAR BOLT	4
35	GB1096-C12×8×45	COMMON FLAT KEY	1
36	GB955-14	WAVE-FORM SPRING WASHER	1
37	GB85-M6×12	SQUARE HEAD CYLINDRICAL TERMINUS SET SCREW	1
38	GB889. 1-M10	1-TYPE PREVAILING TORQUE TYPE HEXAGON LOCK NUT	2
39	GB96. 1-10	LARGE WASHER A GRADE	11
40	GB5782-M10×50	HEXANGULAR BOLT	1
41	GB41-M10	HEXANGULAR NUT	16
42	GB41-M8	HEXANGULAR NUT	6
43	GB5782-M8×45	HEXANGULAR BOLT	2
44	GB95-10	FLAT WASHER	16
45	GB93-10	STANDARD SPRING WASHER	2

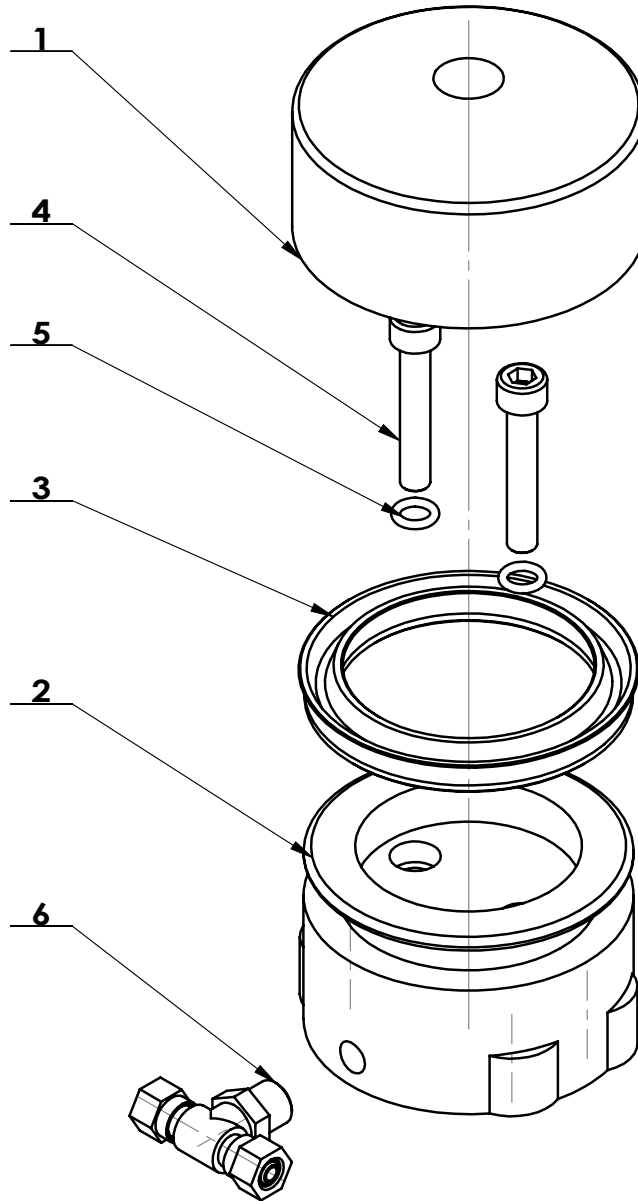
ITEM	PART. No	DESCRIPTION.	QT. Y
46	GB70. 1-M10×25	INNER HEXA CYLINDRICAL SCREW	2
47	GB5783-M8×20	HEXANGULAR BOLT	2
48	GB95-8	FLAT WASHER	4
49	GB93-8	STANDARD SPRING WASHER	4
50	GB93-6	STANDARD SPRING WASHER	9
51	GB70. 1-M6×35	SCREW M6X35	2
52	GB95-6	FLAT WASHER	11
53	GB41-M6	HEXANGULAR NUT	2
54	GB70. 1-M6×12	INNER HEXA CYLINDRICAL SCREW	5
55	GB894. 1-12	SHAFT ELATIC BIG RETAINING RING A-TYPE	2
56	GB818-M5×10-H	CROSS PANHEAD SCREW	4
57	GB41-M5	HEXANGULAR NUT	2
58	GB70. 1-M6×16	INNER HEXA CYLINDRICAL SCREW	10
59	GB5783-M8×25	HEXANGULAR BOLT	2
60	CT-K-3100000	INFLATOR COVER ASSEMBLY	1
61	C-7C-1200000	HORIZONTAL ARM	1
62	C-70-1000008	WASHER	2
63	C-70-1000009	ROTATION SHAFT	1
64	GB5781-M16×30	HEXANGULAR BOLT	2
65	GB70. 1-M6×10	INNER HEXA CYLINDRICAL SCREW	2
66	CT-K-4100000	AIR TANK	1
67	CT-K-2200000	QUICK EXHAUST VALVE ASSY	1
68	CT-F-3122111	AIR REGULATOR ASSEMBLY	1
69	GB818-M5×12-H	CROSS PANHEAD SCREW	2
70	C-70-1000018	JOINT SEALING GASKET	1
71	KC-ZJNKZD-2-8	INSERT ELBOW $\phi 8$, R1/4	1
72	KC-ZTZD-2-8	INSERT FITTING $\Phi 8$, R1/4	1
73	C-70-1000010	PULL-OUT SHAFT	1
74	GB894. 1-16	SHAFT ELATIC BIG RETAINING RING A-TYPE	2
75	CT-K-1100000	QUICK INFLATION PEDAL ASSY	1
76	CT-D-4100000	PEDAL ASSEMBLY	1
77	CT-Y-2100000	TURNTABLE ASSEMBLY	1
78	GB70. 1-M12×30	INNER HEXA CYLINDRICAL SCREW	1
79	C-70-1000011	SEALED COVER	1
80	GB6172. 1-M14	HEXANGULAR THIN NUT	2
81	GB/T 77-M14×42	INNER HEXA CYLINDRICAL TERMINUS SET SCREW	2
82	GB889. 1-M18X1. 5	1-TYPE PREVAILING TORQUE TYPE HEXAGON LOCK NUT	1
83	GB882-18×100	PIN SHAFT	1
84	C-70-1000020	POWER CABLE ASSEMBLY	1
85	CT-DJ-0000007	BELT A-25	1
86	C-70-1000006	HELPER RUBBE PLUG	4



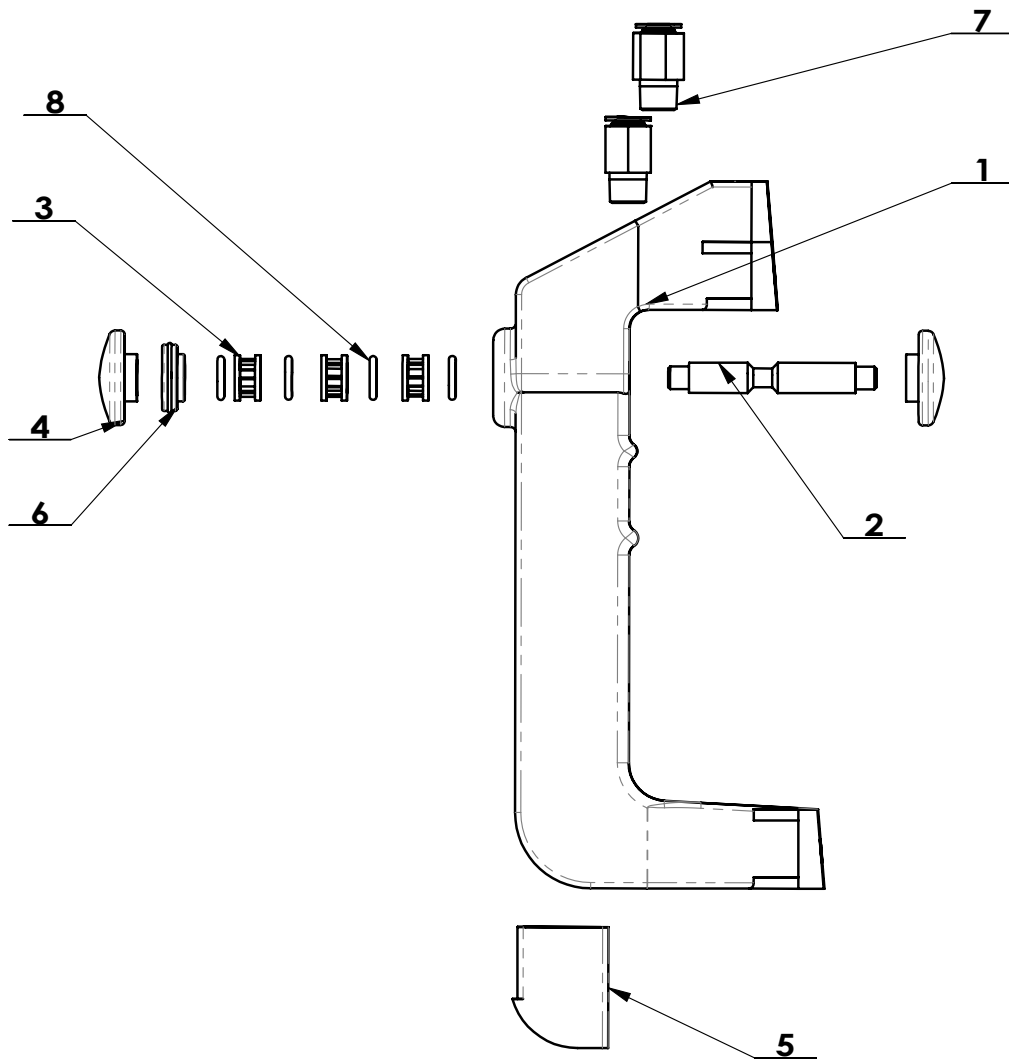
ITEM	PART. No	DESCRIPTION.	QT. Y
1	C-7C-1210000	VERTICAL COLUMN	1
2	C-70-1220000	HORIZONTAL ARM	1
3	C-70-1240000	LOCKING CYLING ASSY	1
4	C-70-1200001	SPACER	1
5	GB70. 1-M6×16	INNER HEXA CYLINDRICAL SCREW	2
6	GB95-6	FLAT WASHER	1
7	C-70-1200003	PIPE GUIDER	1
8	C-70-1200004	PIPE GUIDER	1
9	GB6172. 1-M8	HEXANGULAR THIN NUT	2
10	GB77-M8×20	INNER HEXA FLAT TERMINUS SET SCREW	2
11	C-70-1200005	SUPPORT SHAFT	1
12	C-70-1200006	ROTATING SPACER	1
13	GB41-M8	HEXANGULAR NUT	2
14	C-60-1000002	INFLATING GUN HOOK	1
15	C-70-1200009	STOP-UP	1
16	C-70-1230000	SQUARE LOCK PLATE	1
17	C-70-1200008	SLIDER	2
18	C-70-1200002	PRESS SPRING	2
19	GB5781-M8×35	HEXANGULAR BOLT	1
20	GB5781-M6×30	HEXANGULAR BOLT	2
21	GB41-M6	HEXANGULAR NUT	2
22	GB6172. 1-M10	HEXANGULAR THIN NUT	1
23	C-70-1200010	INNER HEXA FLAT TERMINUS SET SCREW	1
24	c-90-1200004	OIL CUP	1



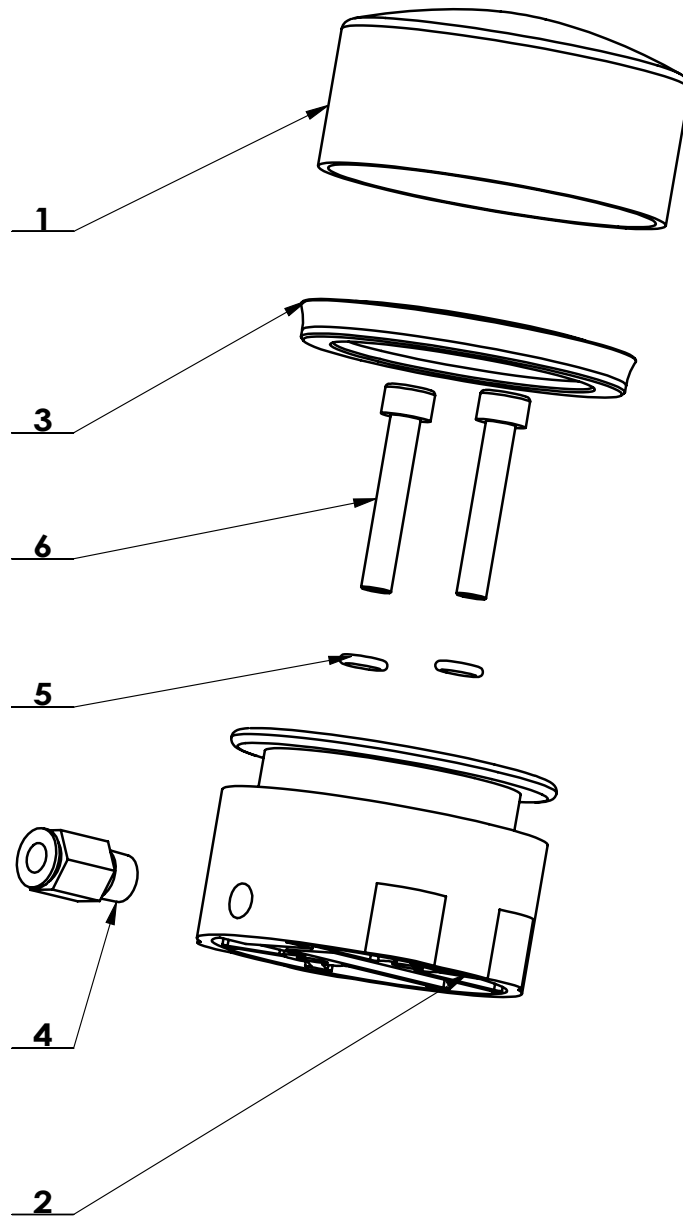
ITEM	PART. No	DESCRIPTION.	QT. Y
1	C-70-1220001	VERTICAL SHAFT SPRING	1
2	C-70-1220002	HEXAGON SHAFT	1
3	C-70-1220003	HEXAGON LOCK PLATE	1
4	C-70-1220004	SPRING	2
5	C-70-1220005	POSITIONING BLOCK	1
6	C-70-1221000	HORIZONTAL ARM	1
7	C-70-1223000	LOCKING CYLINDER ASSY	1
8	C-70-1224000	HANDLE CONTROLING VALVE	1
9	C-70-1200010	INNER HEXA FLAT TERMINUS SET SCREW	1
10	C-31-1300013	DEMOUNTING HEAD	1
11	C-54-1300001	VERTICAL SHAFT COVER	1
12	C-54-1300006	ROLLER BOLT	1
13	C-54-1300008	PRESS WASHER	1
14	C-54-1300009	ROLLER	1
15	C-54-1300007	SHOCK ABSORBER WASHER	1
16	GB70. 1-M4×16	INNER HEXA CYLINDRICAL SCREW	4
17	GB70. 1-M6×16	INNER HEXA CYLINDRICAL SCREW	2
18	GB70. 1-M8×25	INNER HEXA CYLINDRICAL SCREW	1
19	GB70. 1-M10×30	INNER HEXA CYLINDRICAL SCREW	1
20	GB70. 1-M10×90	INNER HEXA CYLINDRICAL SCREW	1
21	GB77-M12×12	INNER HEXA FLAT TERMINUS SET SCREW	2
22	GB77-M12×16	INNER HEXA FLAT TERMINUS SET SCREW	2
23	GB93-10	STANDARD SPRING WASHER	2
24	GB95-4	FLAT WASHER	4
25	GB95-8	FLAT WASHER	1
26	GB5781-M10×25	HEXANGULAR BOLT	1
27	GB802-M10	CAP NUT	1
28	GB889. 1-M10	1-TYPE PREVAILING TORQUE TYPE HEXAGON LOCK NUT	2
29	GB6173-M10×1.0	HEXA THIN NUT	1
30	GB6172. 1-M10	HEXANGULAR THIN NUT	1



ITEM	PART. No	DESCRIPTION.	QT. Y
1	C-70-1223001	LOCK TURNTABLE CYLINDER HEAD	1
2	C-70-1223002	LOCK TURNTABLE CYLINDER HOUSING	1
3	C-70-1223003	Y-RING	1
4	GB70. 1-M6×35	INNER HEXA CYLINDRICAL SCREW	2
5	GB3452. 1-6×1. 8-G	O-RING G TYPE	2
6	PBS 6-01	MALE BRANCH TEE NUT	1



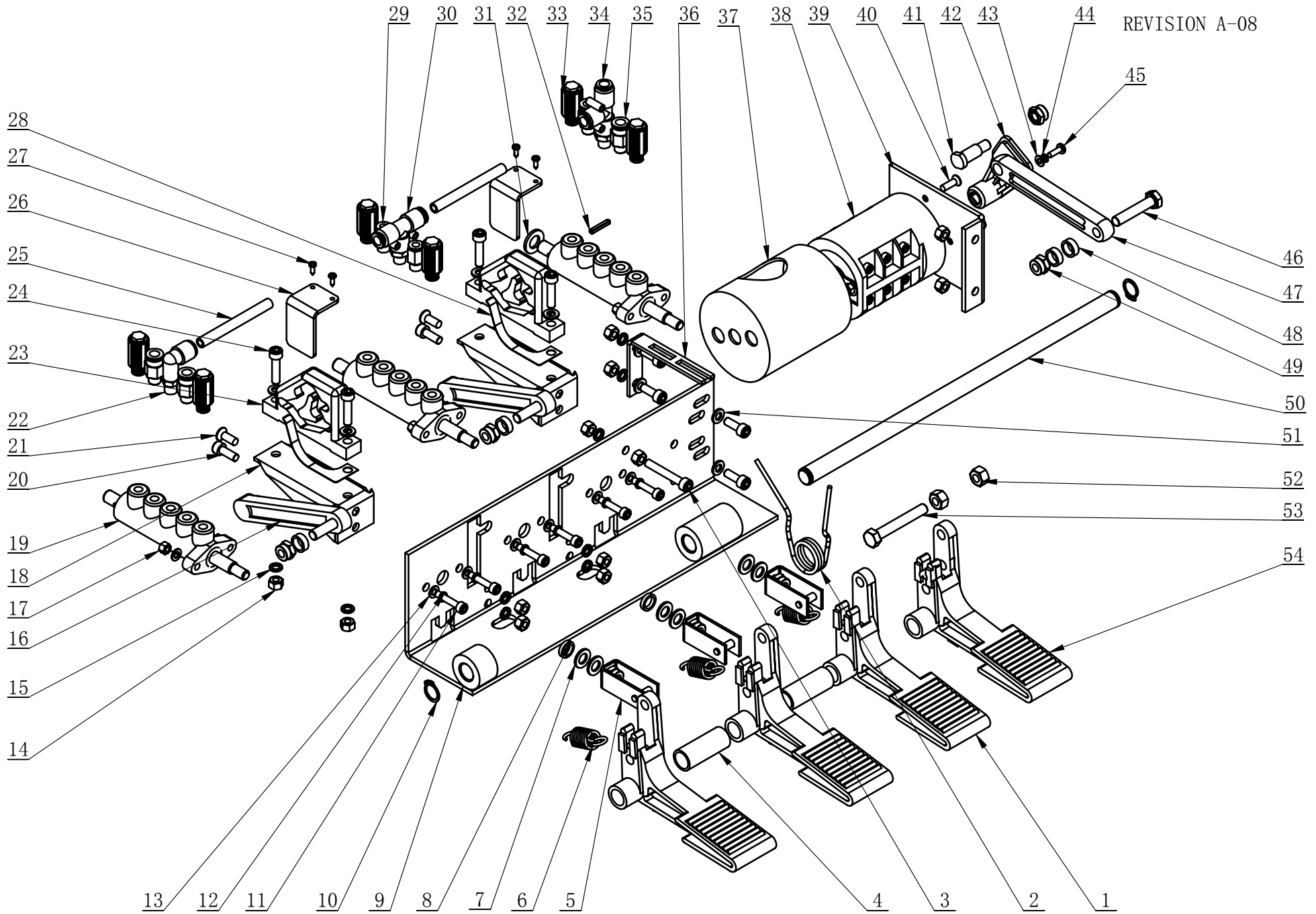
ITEM	PART. No	DESCRIPTION.	QT. Y
1	C-70-1224001	HANDLE CONTROL VALVE	1
2	C-70-1224002	VALVE ROD	1
3	C-70-1224003	VALVE SPACER	3
4	C-70-1224004	FRONT COVER	2
5	C-70-1224005	REAR COVER	1
6	C-70-1224006	FRONT SEALING COVER	1
7	FPC 6-01	MALE STRAIGHT	2
8	GB3452. 1-8×1.8-G	O-RING G TYPE	4



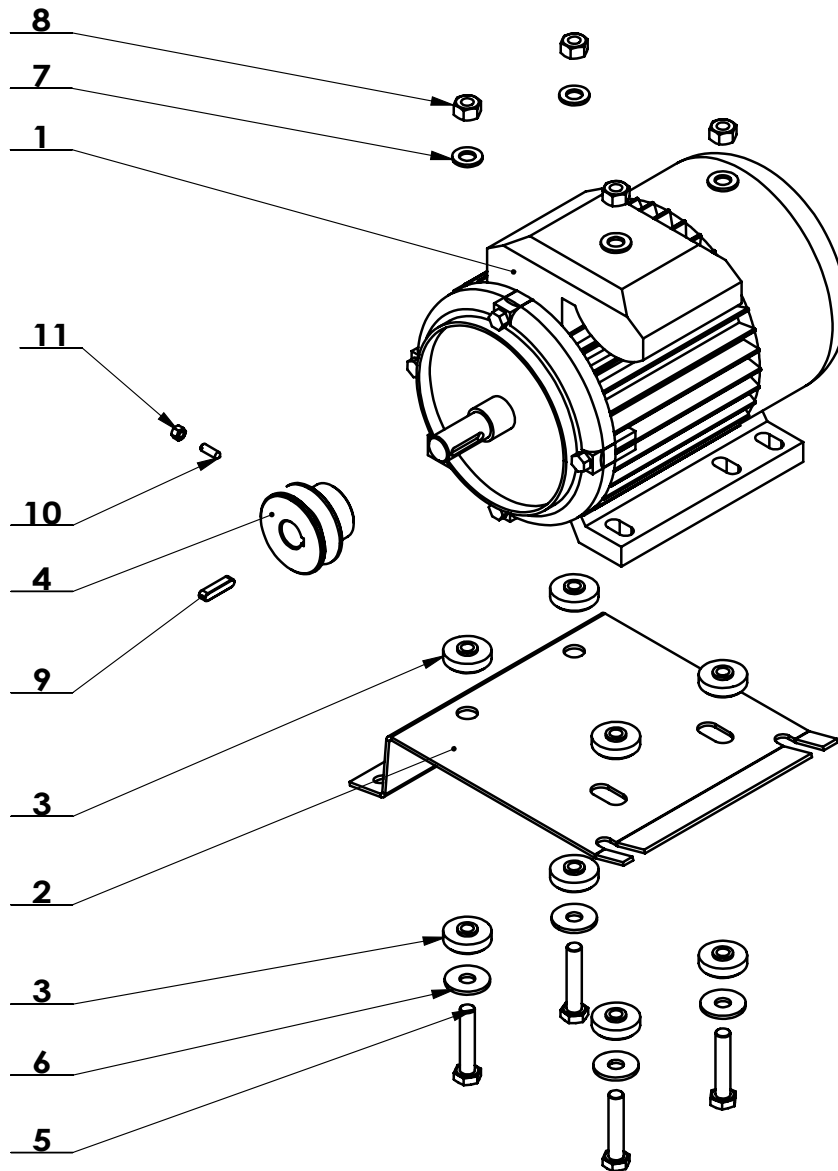
ITEM	PART. No	DESCRIPTION.	QT. Y
1	C-70-1223001	LOCK TURNTABLE CYLINDER HEAD	1
2	C-70-1223002	LOCK TURNTABLE CYLINDER HOUSING	1
3	C-70-1223003	Y-RING	1
4	FPC 6-01	MALE STRAIGHT	1
5	GB3452. 1-6×1. 8-G	O-RING G TYPE	2
6	GB70. 1-M6×35	INNER HEXA CYLINDRICAL SCREW	2

REVISION A-08

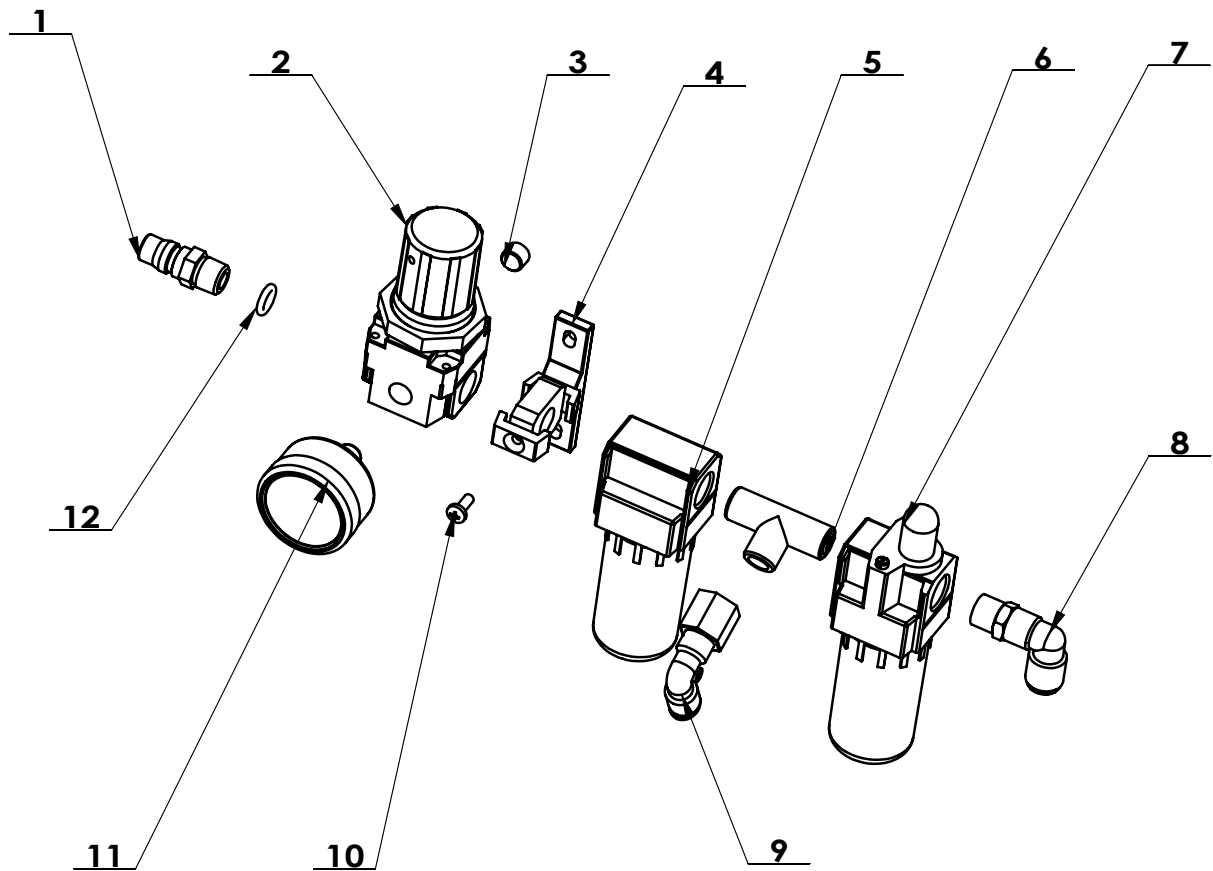
CT-D-4100000



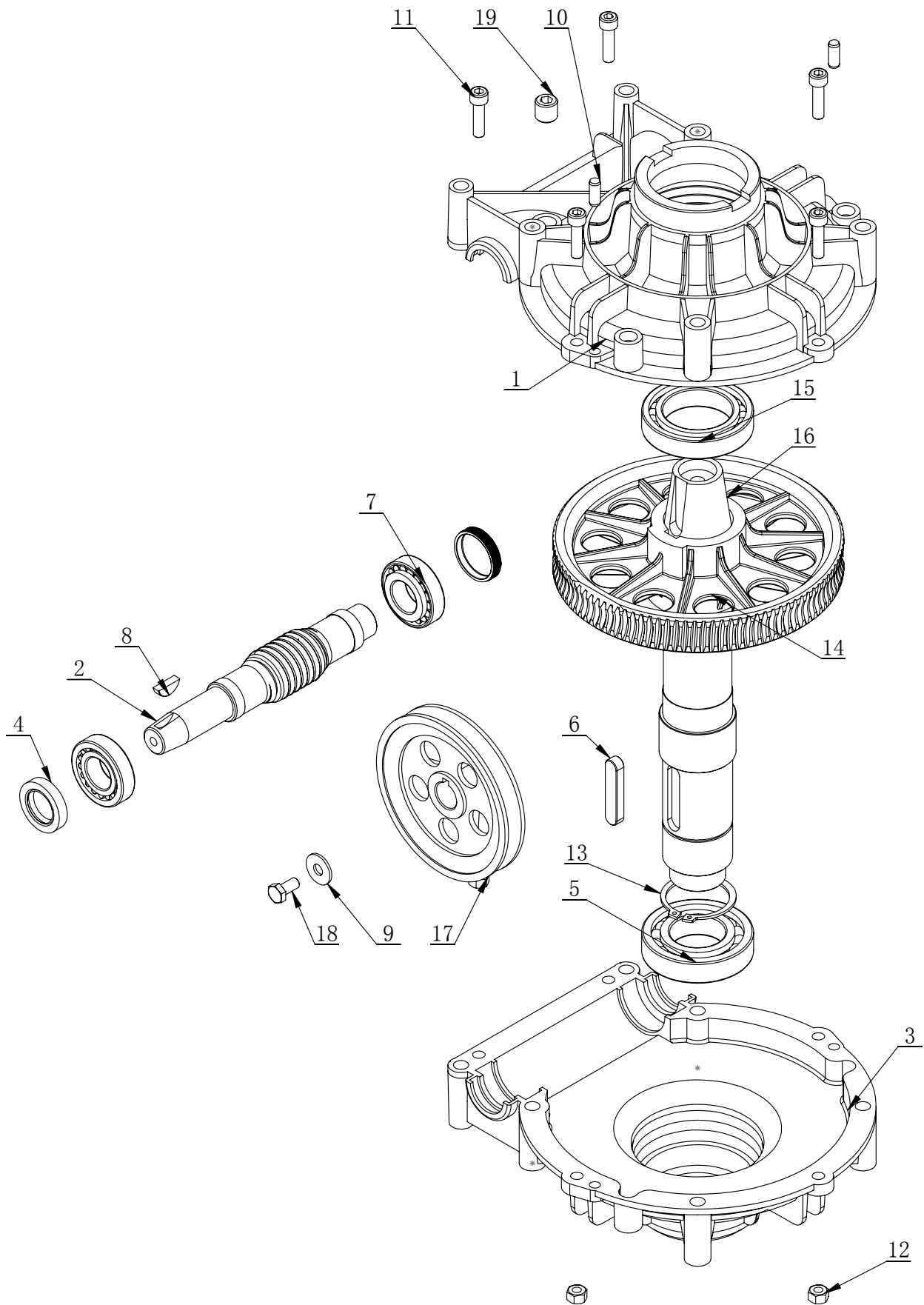
ITEM	PART. No	DESCRIPTION.	QT. Y
1	CT-D-2100007	PEDAL	3
2	CT-D-2100002	TORSION SPRING	1
3	GB70. 1-M6×40	INNER HEXA CYLINDRICAL SCREW	1
4	CT-D-2100001	SPACER	2
5	CT-D-2130000	BRACKET	3
6	CT-D-2100003	SPRING	3
7	GB95-8	FLAT WASHER	6
8	CT-D-1100016	SPACER	2
9	CT-D-4110000	PEDAL SUPPORT WELDING	1
10	GB894. 1-14	SHAFT ELATIC BIG RETAINING RING A-TYPE	2
11	GB70. 1-M5×25	INNER HEXA CYLINDRICAL SCREW	6
12	GB93-5	STANDARD SPRING WASHER	6
13	GB95-5	FLAT WASHER	12
14	GB41-M6	HEXANGULAR NUT	14
15	GB93-6	STANDARD SPRING WASHER	11
16	CT-D-1100008	CAM CONNECTING ROD	2
17	GB41-M5	HEXANGULAR NUT	6
18	CT-D-2120000	CAM BRACKET WELDING	2
19	CT-D-2140000	VALVE	3
20	GB70. 1-M6×16	INNER HEXA CYLINDRICAL SCREW	6
21	GB819. 1-M6×16-H	CROSS COUNTERSUNK SCREW STEEL 4.8 GRADE	2
22	FPL 8-01	INSERT ELBOW Φ8, R1/8	1
23	CT-D-1100009	CAM	2
24	GB70. 1-M6×25	INNER HEXA CYLINDRICAL SCREW	4
25	CT-D-2100013	HOSE	2
26	CT-D-1100011	CAM BAFFLE PLATE	2
27	GB845-ST2. 9×9.5 H C	CROSS PANHEAD TAPPING SCREW	4
28	CT-D-2100004	SPRING PLATE	2
29	FPC 6-01	MALE STRAIGHT	2
30	FPB 8-01	MALE BRANCH TEE	1
31	GB95-10	FLAT WASHER	1
32	GB879. 1-4×20	ELASTIC CYLINDRICAL PIN, HEAVY	1
33	FSK 01	PLASTIC PARTICLE SILENCER	6
34	FPD 8-01	MALE RUN TEE	1
35	FPC 8-01	MALE STRAIGHT	4
36	CT-D-2100010	TORSION SPRING BRACKET	1
37	CT-D-1100014	SWITCH COVER	1
38	CT-D-1100018	SWITCH	1
39	CT-D-2100008	SWITCH SUPPORT	1
40	GB819. 1-M5×16-H	CROSS COUNTERSUNK SCREW STEEL 4.8 GRADE	4
41	CT-D-2100012	ROTATION SHAFT	1
42	CT-D-1100010	REVERSE LEVER	1
43	GB95-4	FLAT WASHER	1
44	GB93-4	STANDARD SPRING WASHER	1
45	GB818-M4×12-H	CROSS PANHEAD SCREW	1
46	GB5781-M8×40	HEXANGULAR BOLT	1
47	CT-D-2100011	CONNECTION ROD	1
48	CT-D-2100005	SPACER	4
49	GB889. 1-M8	1-TYPE PREVAILING TORQUE TYPE HEXAGON LOCK NUT	7
50	CT-D-4100001	BOTTOM SHAFT	1
51	GB95-6	FLAT WASHER	8
52	GB41-M8	HEXANGULAR NUT	2
53	GB5782-M8×55	HEXANGULAR BOLT	1
54	CT-D-2100006	PEDAL	1



ITEM	PART. No	DESCRIPTION.	QT. Y
1	CT-DJ-0012112	MOTOR	1
2	CT-DJ-0000001	MOTOR SUPPORT	1
3	CT-DJ-0000002	RUBBER WASHER	8
4	CT-DJ-0000003	MOTOR BELT PULLEY	1
5	GB5781-M10×50	HEXANGULAR BOLT	4
6	GB96. 1-10	LARGE WASHER A GRADE	4
7	GB95-10	FLAT WASHER	4
8	GB41-M10	HEXANGULAR NUT	4
9	GB1096-6×6×28	COMMON FLAT KEY	1
10	GB71-M5×16	SLOTTED CONIC HEAD SET SCREW	1
11	GB41-M5	HEXANGULAR NUT	1

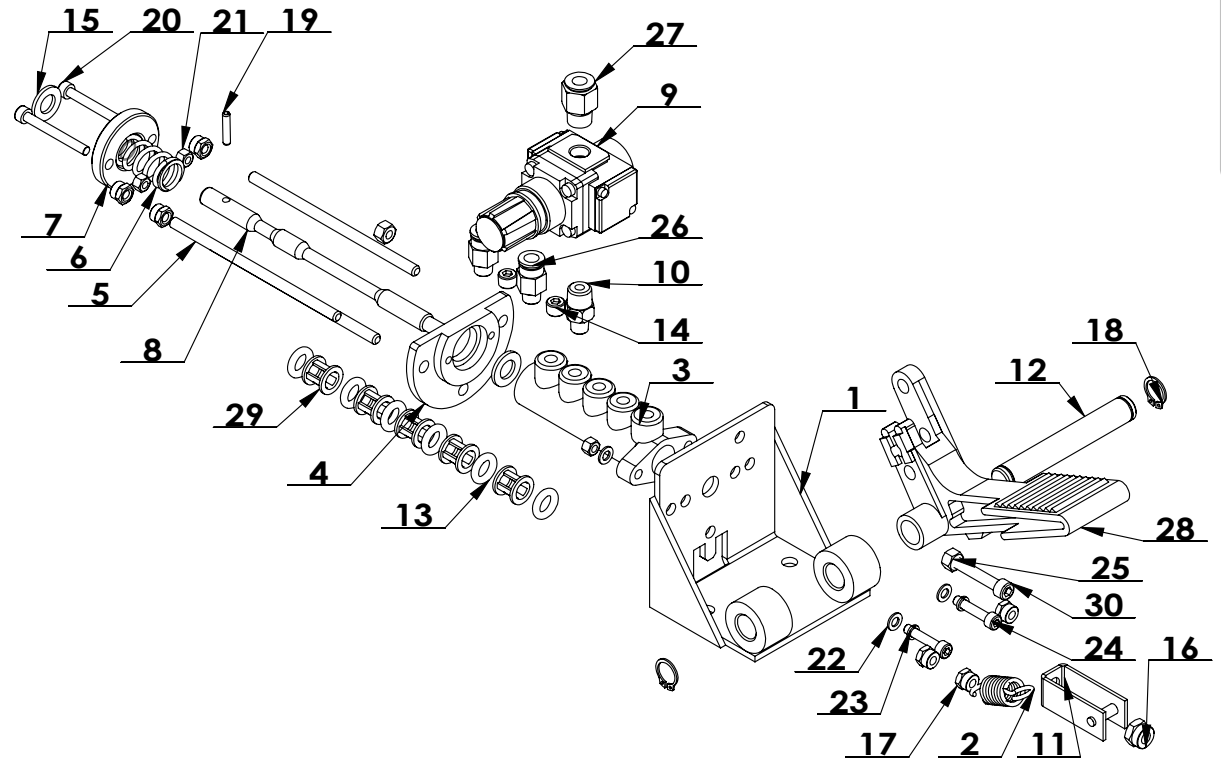


ITEM	PART. No	DESCRIPTION.	QT. Y
1	C-01-100000D	AIR SUPPLY CONNECTOR	1
2	H-40-1600001	PRESSURE ADJUST VALVE	1
3	FPS 01	PLUG MAIN BLOCK	1
4	CT-F-3000005	BRACKET	1
5	CT-F-3000001	WATER CUP	1
6	PEH 1-4	TEE R1/4	1
7	CT-F-3000002	OIL CUP	1
8	FPL 8-02	INSERT ELBOW $\Phi 8$, R1/4	1
9	PLF8-02	INSERT ELBOW $\phi 8$, R1/4	1
10	GB818-M4 \times 10-H	CROSS PANHEAD SCREW	2
11	CT-F-3000004	PRESSURE GAUGE	1
12	GB3452.1-8 \times 2.65-A	O-RING G TYPE	1

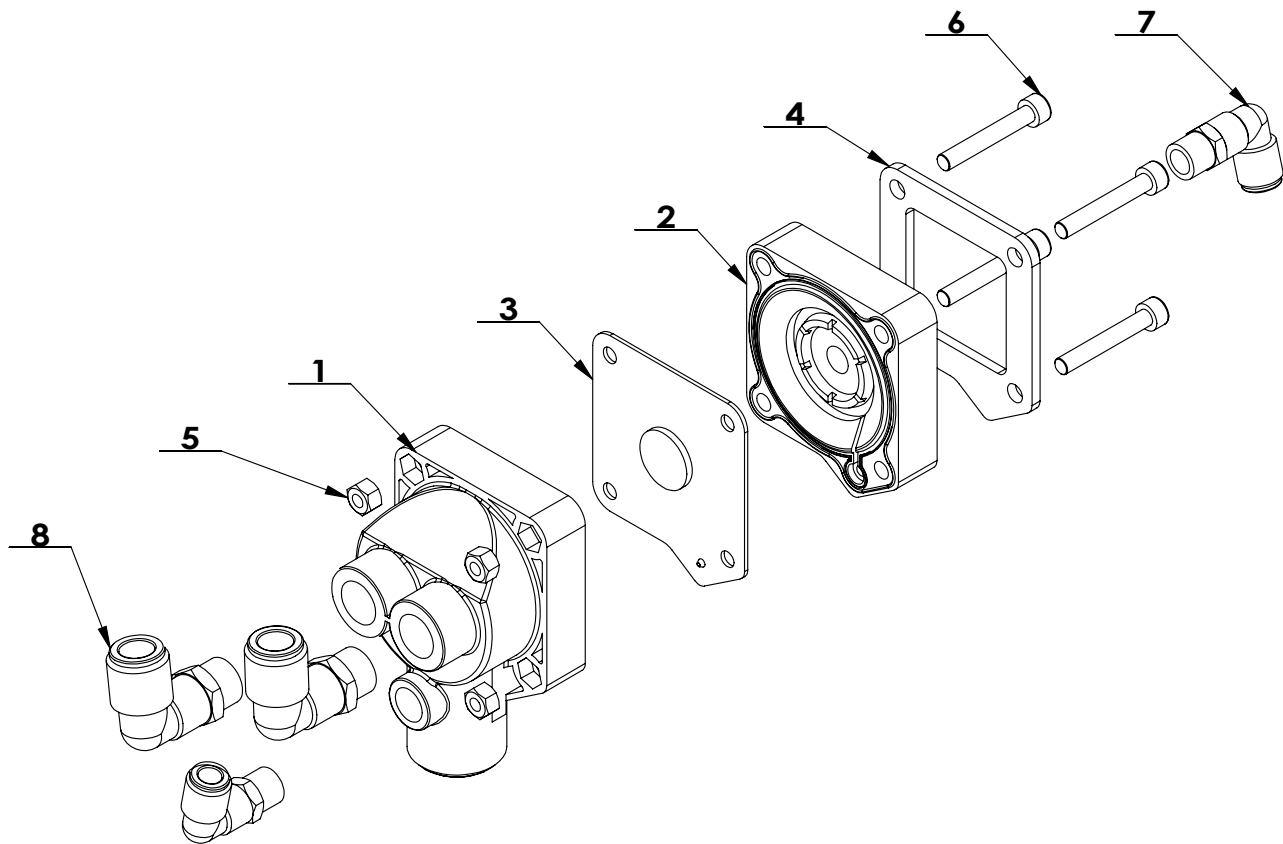


ITEM	PART. No	DESCRIPTION.	QT. Y
1	CT-J-0000006	GEARBOX TOP	1
2	CT-J-0000004	WORM ROD	1
3	CT-J-0000005	GEARBOX TOP	1
4	FB25-40 GB13871.92	SEALED RING	1
5	GB276-6208	DEEP GROOVE BALL BEARING	1
6	GB1096-12×8×56	COMMON FLAT KEY	1
7	GB297-30205	CYLINDRICAL BALL BEARING	2
8	GB1099.1-6×9×22	COMMON SEMI -CIRCULAR KEY	1
9	GB96.2-8	WASHER	1
10	GB119.1-8×20	CYLINDRICAL PIN	2
11	GB70.1-M8×30	INNER HEXA CYLINDRICAL SCREW	5
12	GB41-M8	HEXANGULAR NUT	5
13	GB894.1-50	SHAFT ELATIC BIG RETAINING RING A-TYPE	1
14	CT-J-0000003	WORM	1
15	GB276-6010	DEEP GROOVE BALL BEARING	1
16	CT-J-0000002	WORM SHAFT	1
17	CT-J-0000008	BELT PULLEY	1
18	GB5781-M8×16	HEXANGULAR BOLT	1
19	GB77-M16X1.5-16	SCREW	1
20	CT-J-0100000	CAP	1

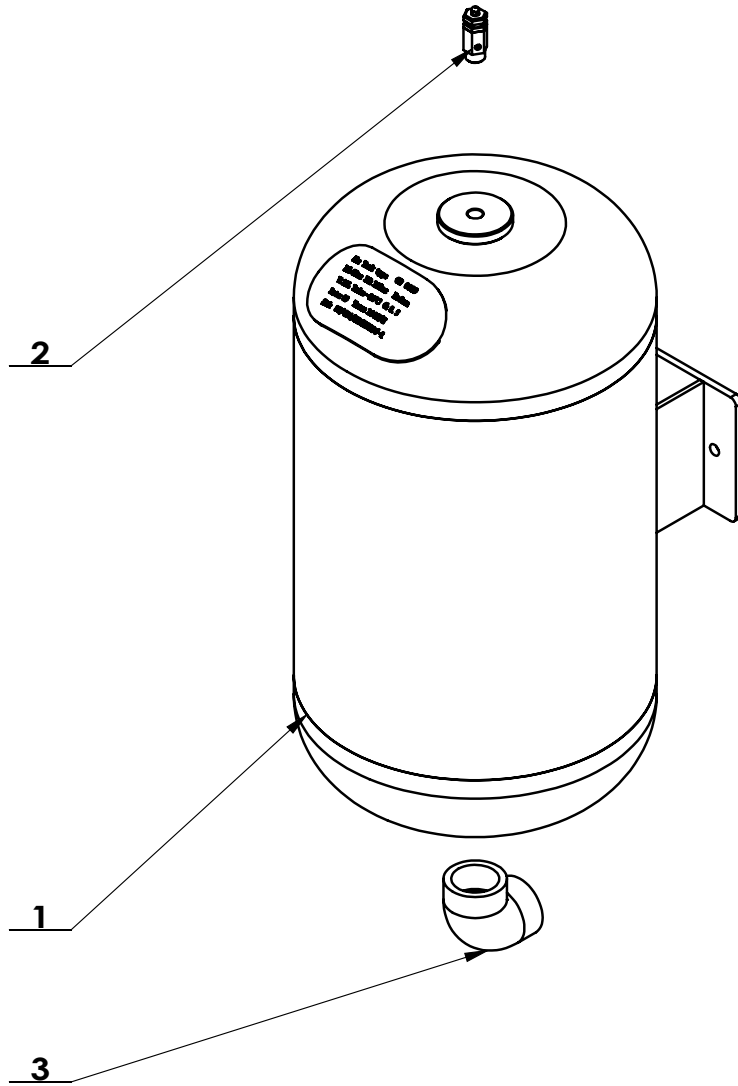
ITEM	PART. No	DESCRIPTION.	QT. Y
1	CT-K-1110000	BRACKET	1
	CT-K-1110001		1
	CT-K-1110002		2
	CT-D-2110002		2
2	CT-D-2100003	SPRING	1
3	CT-D-2140002	VALVE-3	1
4	CT-K-1100004	FIXTURE PLATE	1
5	CT-K-1100005	BOLT	3
6	CT-K-1100003	SPRING	1
7	CT-K-1100002	MOVABLE PLATE	1
8	CT-K-1100001	VALVE ROD	1
9	AR20-01	PRESSURE REDUCING VALVE	1
10	CT-K-1100007	FITTING	1
11	CT-D-2130000	BRACKET	1
12	CT-K-1100006	SHAFT	1
13	CT-D-1110003	O-RING	6
14	AR20-01_AR3015A Plug	SCREWS PLUG R1/8"x10	2
15	GB95-10	FLAT WASHER	2
16	GB889. 1-M8	1-TYPE PREVAILING TORQUE TYPE HEXAGON LOCK NUT	1
17	GB889. 1-M6	1-TYPE PREVAILING TORQUE TYPE HEXAGON LOCK NUT	6
18	GB894. 1-14	SHAFT ELATIC BIG RETAINING RING A-TYPE	2
19	GB879. 1-4x20	ELASTIC CYLINDRICAL PIN, HEAVY	1
20	GB70. 1-M5x45	inner hexa cylindrical screw	2
21	GB41-M5	HEXANGULAR NUT	4
22	GB95-5	FLAT WASHER	4



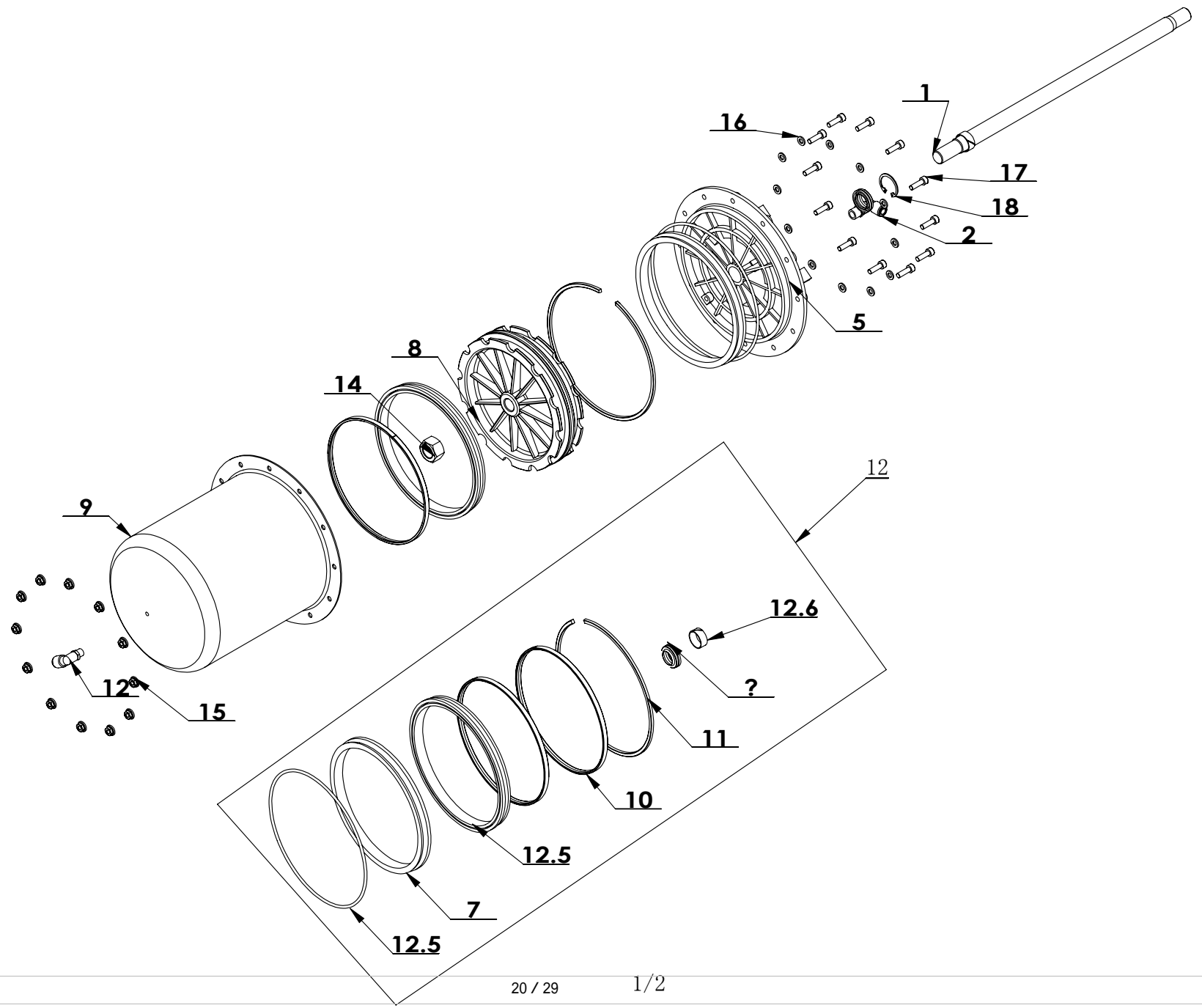
ITEM	PART. No	DESCRIPTION.	QT. Y
23	GB93-5	STANDARD SPRING WASHER	2
24	GB70. 1-M5x25	INNER HEXA CYLINDRICAL SCREW	2
25	GB41-M6	HEXANGULAR NUT	2
26	FPC 8-01	MALE STRAIGHT	2
27	FPC 8-02	MALE STRAIGHT	1
28	CT-D-2100006	PEDAL	1
29	CT-D-1110004	SPACER	5
30	GB70. 1-M6x35	INNER HEXA CYLINDRICAL SCREW	1



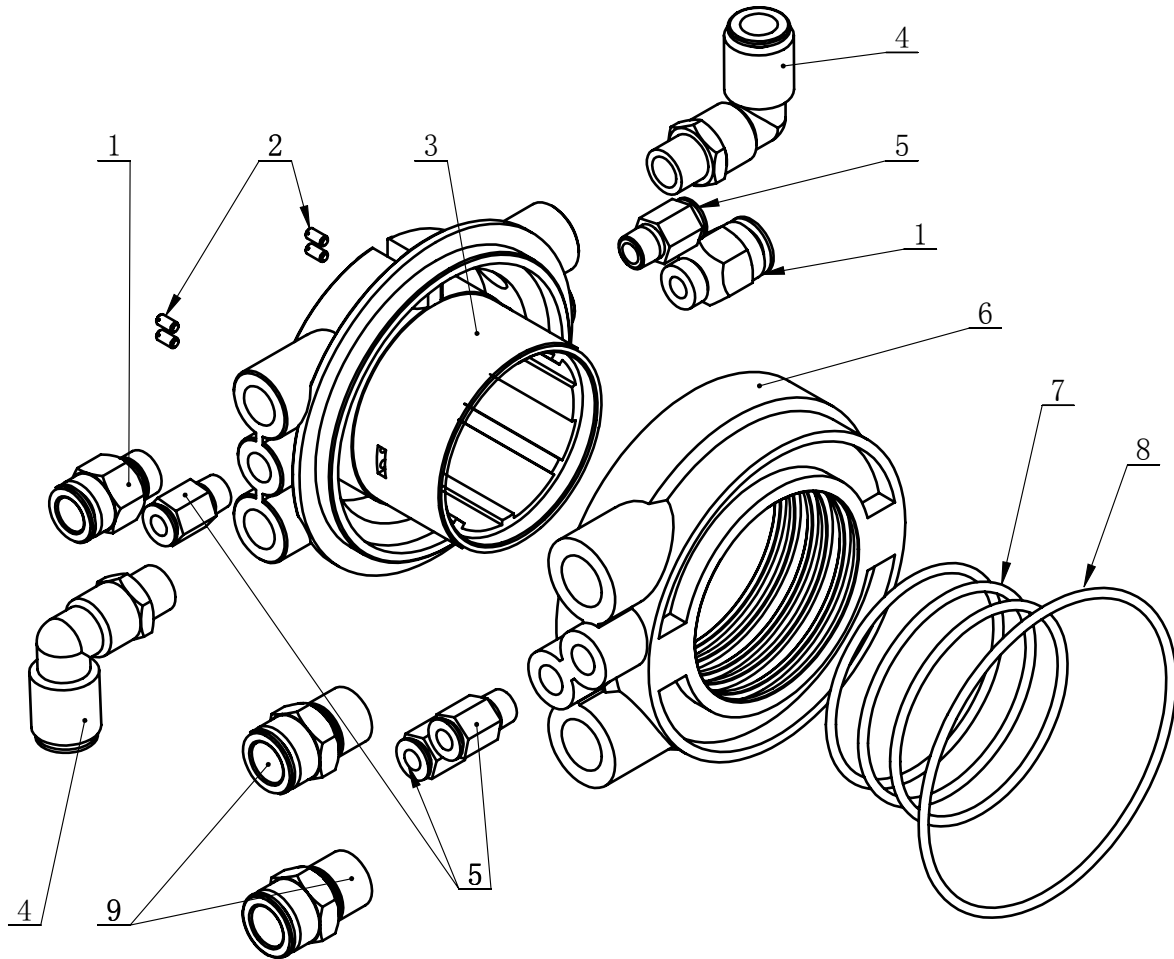
ITEM	PART. No	DESCRIPTION.	QT. Y
1	CT-K-2200002	LOWER COVER OF QUICK DEFLATE VALVE	1
2	CT-K-2200001	COVER OF QUICK DEFLATE VALVE	1
3	CT-K-2210000	FILM CHIP	1
4	CT-K-2200003	PRESS WASHER	1
5	GB41-M6	HEXANGULAR NUT	4
6	GB70. 1-M6×40	INNER HEXA CYLINDRICAL SCREW	4
7	FPL 8-02	INSERT ELBOW Φ8, R1/4	2
8	FPL 12-03	INSERT ELBOW Φ12 R3/8"	2



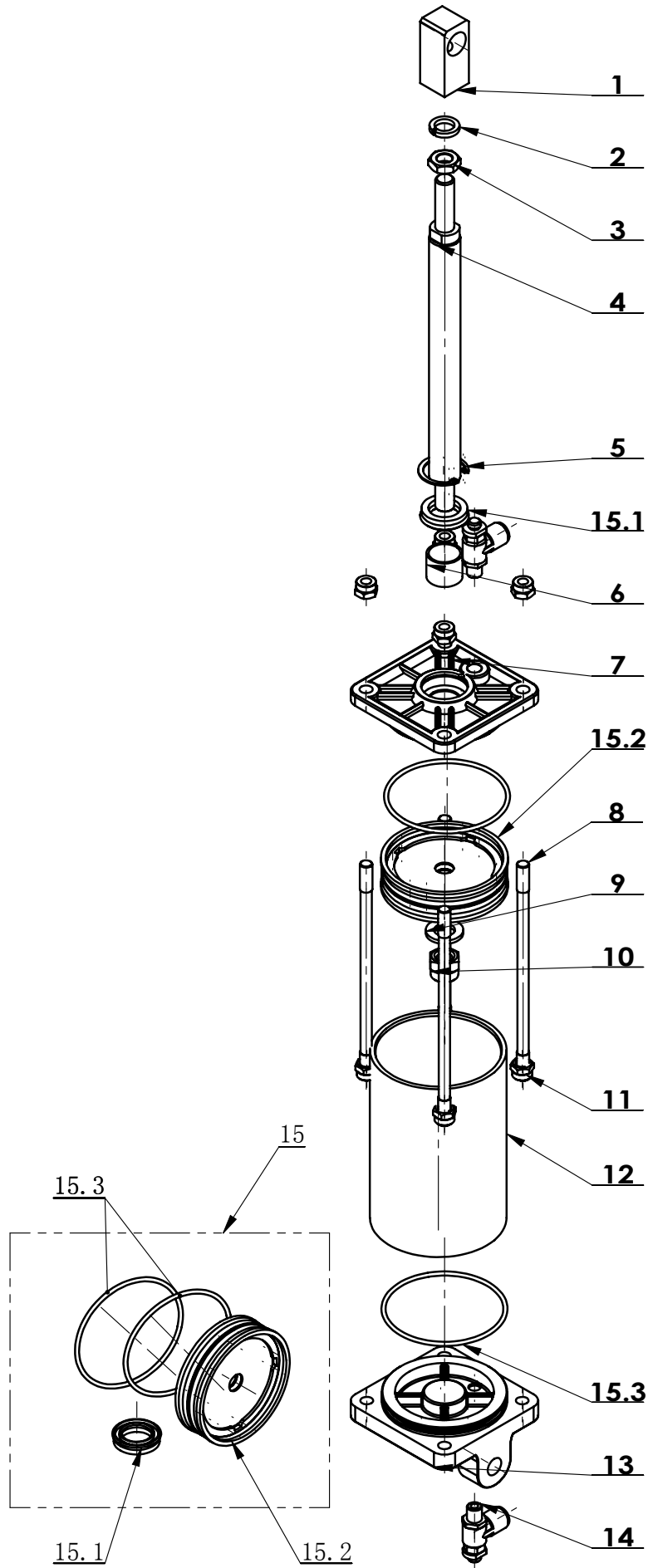
ITEM	PART. No	DESCRIPTION.	QT. Y
1	CT-K-4110000	AIR TANK	1
2	CT-K-4100001	SAFE VALVE	1
3	CT-K-4100002	ELBOW_90, G1"	1



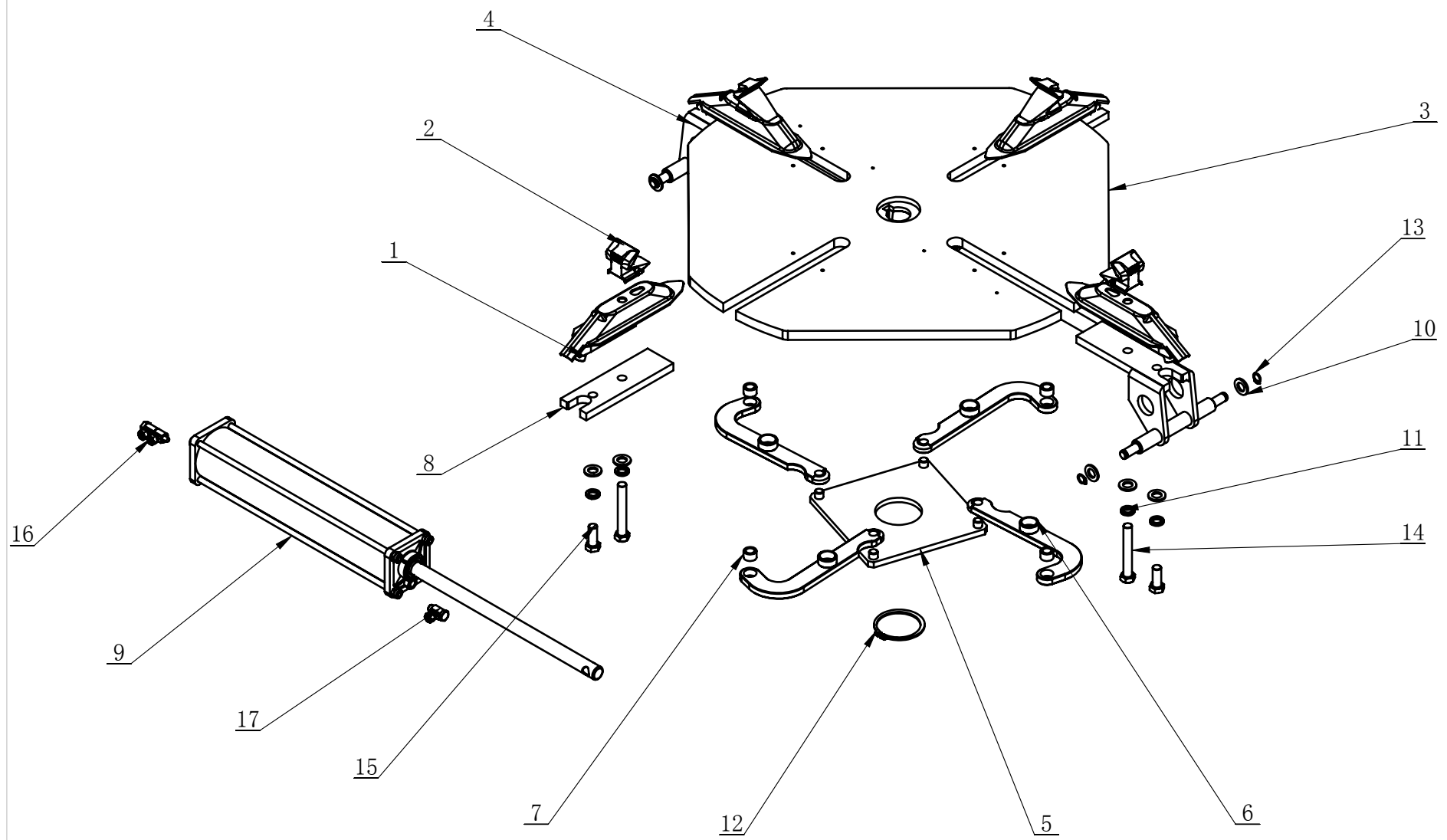
ITEM	PART. No	DESCRIPTION.	QT. Y
1	CT-LS-2000001	SHAFT-CLYNDR, 445	1
2	FPL 8-02	INSERT ELBOW $\Phi 8$, R1/4	1
3	CT-LS-1000004	CYLINDER COVER	1
4	CT-LS-1000002	PISTON	1
5	CT-LS-1000003	CYLINDER BODY	1
6	FPL 8-01	INSERT ELBOW $\Phi 8$, R1/8	1
7	GB6171- M18 \times 1.5	NUT THIN TOOTH	1
8	GB/T 6177. 1-M6	HEXA FLANGE NUT	12
9	GB95-6	FLAT WASHER	12
10	GB70. 1-M6 \times 20	INNER HEXA CYLINDRICAL SCREW	12
11	GB893. 2-30	ELASTIC RETAINING RING B-TYPE	1
12	CT-LS-1100000	CYCLINDER SEALING PARTS ASSEMBLY	1
12. 1	CT-LS-1000007	CLAMP RING	2
12. 2	CT-LS-1000008	PISTION SUPPORT RING	1
12. 3	CT-LS-1000011	Y-RING	2
12. 4	GB3452. 1-185 \times 3. 55-G	O-RING G TYPE	1
12. 5	CT-LS-1000009	GUIDER SPACER	1
12. 6	CT-Y-0160007	DUSTPROOF SEALING RING	1



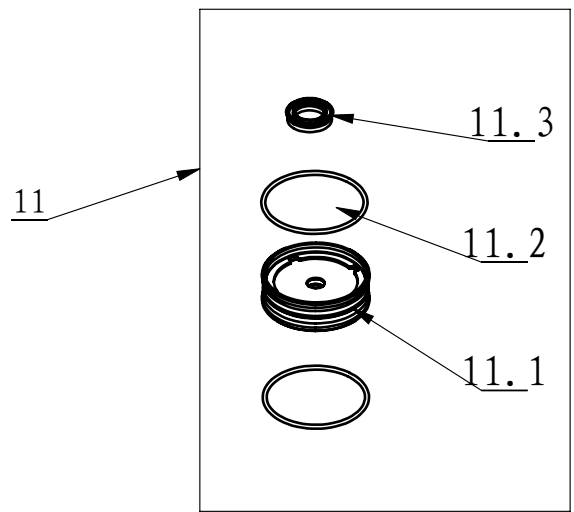
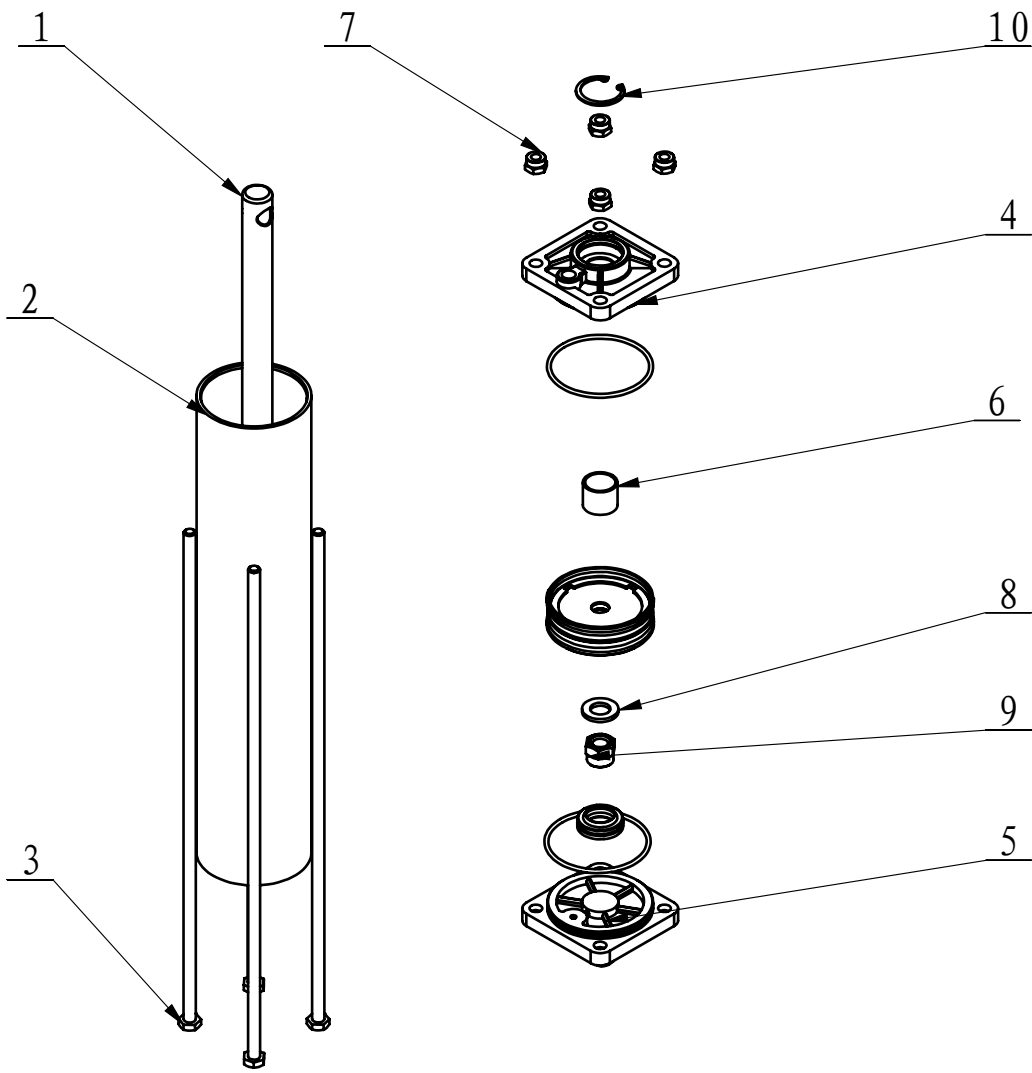
ITEM	PART. No	DESCRIPTION.	QT. Y
1	FPC 10-02	MALE STRAIGHT	2
2	GB73-M3×6	SLOTTED FLATTEN HEAD SET SCREW	4
3	CT-Q-2000001	AIR GUIDE ROTATION BUSHING	1
4	FPL 10-02	MALE ELBOW	2
5	FPC 6-01	MALE STRAIGHT	4
6	CT-Q-2000002	AIR GUIDE EXTERNAL BUSHING	1
7	GB3452.1-60×2.65-G	HYDRAULIC-PNEUMATIC RUBBER O-RING G TYPE	3
8	GB3452.1-90×2.65-G	O-RING 90X2.65	1
9	FPC 12-03	MALE STRAIGHT	2
10	T-J.00.03	AIR GUIDE EXTERNAL BUSHING	-



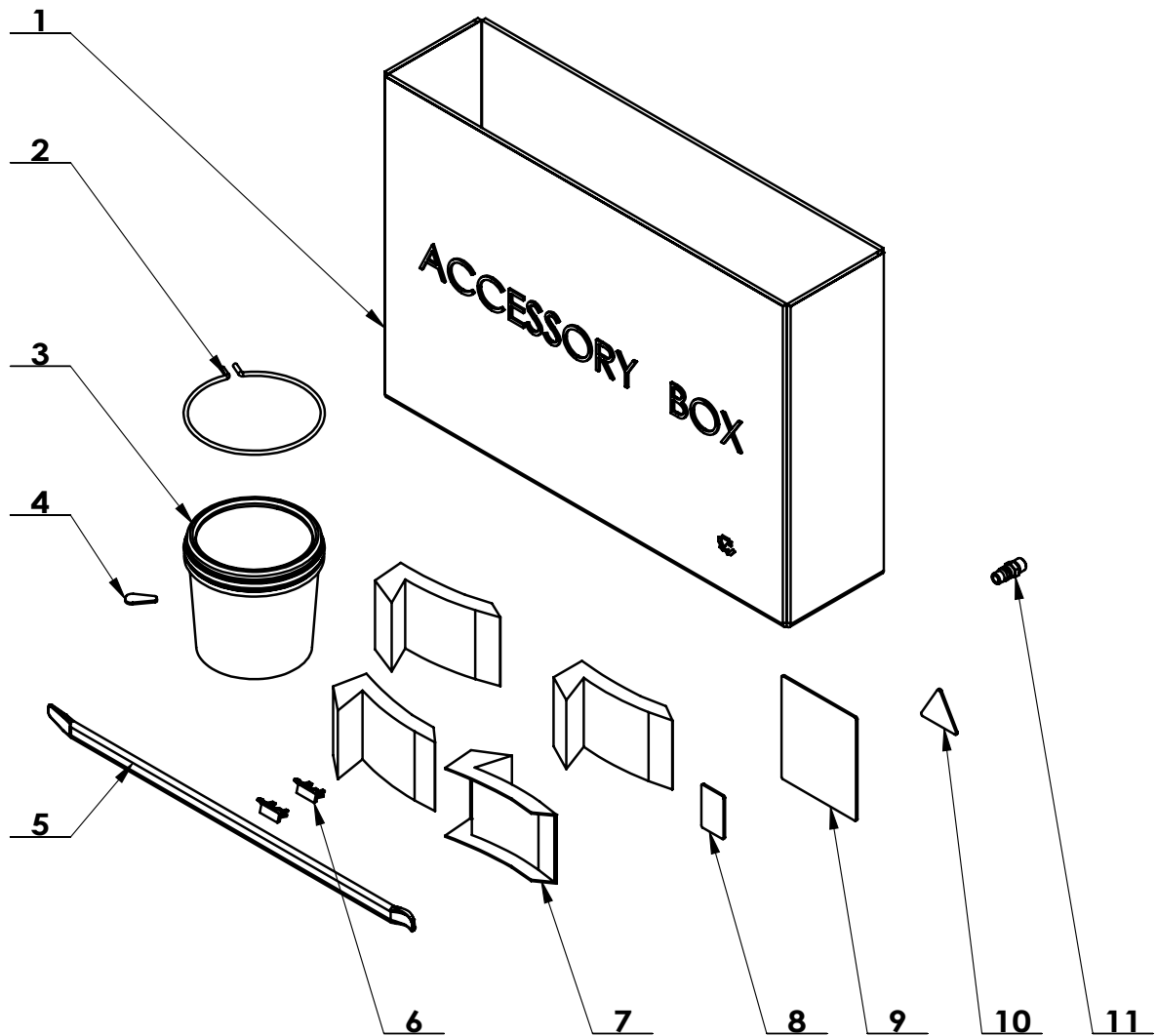
ITEM	PAET. NO	DESCRIPTION	QT. Y
1	CT-XD-1000004	SHAFT CONNECTOR	1
2	GB93-12	STANDARD SPRING WASHER	1
3	GB/T6172. 1-M12	HEXANGULAR THIN NUT	1
4	CT-XD-2000002	PISTON ROD	1
5	GB893. 1-30	ELASTIC RETAINING RING A-TYPE	1
6	JH1 2020	BEARING-SLIDE	1
7	CT-Y-6600001	CYLINDER FRONT COVER	1
8	CT-XD-1000003	BARS	4
9	GB95-12	FLAT WASHER	1
10	GB889. 1-M12	1-TYPE PREVAILING TORQUE TYPE HEXAGON LOCK NUT	1
11	GB889. 1-M8	1-TYPE PREVAILING TORQUE TYPE HEXAGON LOCK NUT	8
12	CT-XD-1000001	CYLINDER BODY	1
13	CT-XD-1000005	CYLINDER REAR COVER	1
14	FJSC 8-01	ELBOW SPEED CONTROLLER	2
15	CT-XD-2100000	O-RINGS ASSEMBLY	1
15.2	CT-Y-6610000	PISTON	1
15.1	CT-Y-0160007	SEAL-ROD, CYLNDR	1
15.3	GB3452. 1-75×2. 65-G	HYDRAULIC-PNEUMATIC RUBBER O- RING G TYPE	2



ITEM	PART. No	DESCRIPTION.	QT. Y
1	CT-Y-0220000	TURNTABLE COVER WELDING	4
2	CT-Y-0100002	CLAMP	4
3	CT-Y-2110000	TURNTABLE	1
4	CT-Y-2140000	BRACKET-CYLINDER	2
5	CT-Y-0150000	SQUARE TURNTABLE	1
6	CT-Y-2120000	CONNECTION PLATE	4
7	CT-Y-0100003	SPACER	4
8	CT-Y-2100001	BOTTOM CHUTE PRESS PLATE	2
9	CT-Y-1120000	CYLINDER ASSEMBLY	2
10	GB95-12	FLAT WASHER	12
11	GB93-12	STANDARD SPRING WASHER	8
12	GB894.1-65	SHAFT ELATIC BIG RETAINING RING A-TYPE	1
13	GB894.1-12	SHAFT ELATIC BIG RETAINING RING A-TYPE	4
14	GB5780 M12X83	HEXANGULAR BOLT	4
15	GB5781-M12×30	HEXANGULAR BOLT	4
16	CT-Y-0100005	HINGE TEE $\Phi 6$ R1/8"	2
17	CT-Y-0100006	HINGE ELBOW $\Phi 6$ R1/8"	2



ITEM	PART. No	DESCRIPTION.	QT. Y
1	CT-Y-1120001	SHAFT-CYLNR	1
2	CT-Y-1120002	SLEEVE-CYLNR 70	1
3	CT-Y-1120003	BOLT	1
4	CT-Y-0160002	FRONT COVER	1
5	CT-Y-0160003	REAR COVER	1
6	JH1 2020	BEARING-SLIDE	1
7	GB889. 1-M8	1-TYPE PREVAILING TORQUE TYPE HEXAGON LOCK NUT	1
8	GB95-12	FLAT WASHER	1
9	GB889. 1-M12	1-TYPE PREVAILING TORQUE TYPE HEXAGON LOCK NUT	1
10	GB893. 1-30	ELASTIC RETAINING RING A-TYPE	1
11	CT-Y-1121000	CYLINDER SEALING PARTS ASSEMBLY	1
11.1	CT-Y-0160007	SEAL-ROD, CYLNR	1
11.2	CT-Y-0161000	PISTON-W/WSHR, ASSY	1
11.2	CT-Y-0161001	PISTON-W/WSHR, ASSY	1
11.2	CT-Y-0161002	英文名称	1
11.3	GB3452. 1-65×2. 65-G	HYDRAULIC-PNEUMATIC RUBBER O-RING G TYPE	2



ITEM	PART. No	DESCRIPTION.	QT. Y
1	C-01-8000001	ACCESSORY BOX	1
2	C-01-1000005	BRACKET	1
3	C-01-1300000	GREASE CONTAINER	1
4	C-31-1300015	PLASTIC COVER	1
5	C-01-1000008	CROWBAR 20 "	1
6	C-31-1300014	SHEATH	2
7	C-01-8000002	CLAMP PROTECTION COVER	4
8	C-31-8000003	GUARANTEE	1
9	C-31-8000001	USER MANUAL	1
10	C-31-8000002	PASS CARD	1
11	C-01-100000D	AIR SUPPLY CONNECTOR	1